



WE ARE IB

Collection

TAAAC

Article

AA399

Description

Free-standing bath filler

Built-in body to be purchased separately INC399

Box Dimensions

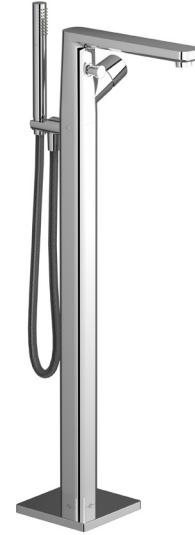
1160x360x180 mm

Weight

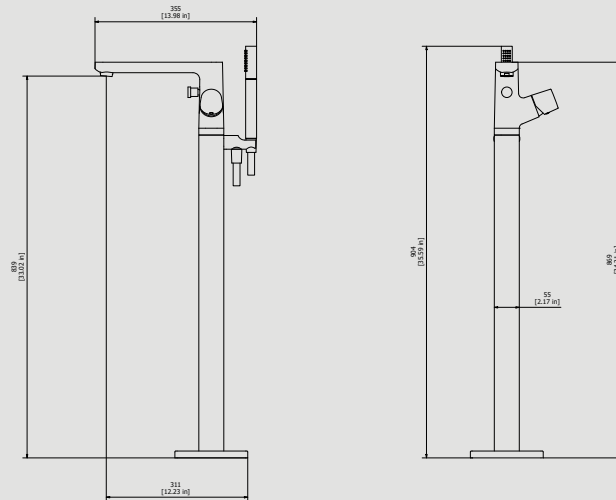
14.7 kg

Finishes

- **CC** CHROME
- **CF** BLACK CHROME
- **OO** GOLD
- **BB** ANTIQUE BRONZE
- **SS** BRUSHED NICKEL
- **CS** BRUSHED BLACK CHROME
- **BO** MATT WHITE
- **NP** MATT BLACK
- **IS** BRUSHED PALE GOLD
- **OS** BRUSHED GOLD
- **II** PALE GOLD
- **RR** ANTIQUE COPPER
- **ORS** ROSE GOLD
- **ON** NATURAL BRASS
- **SR** BRUSHED ROSE GOLD
- **PL** PLATINUM



Dimensions



Cartridge

Ø40 ceramic cartridge

Threaded fitting

Flex sapon G1/2" F L150cm

Aerator

M28x1

Flow Rate (+/-10%)

1 BAR	2 BAR	3 BAR
12.6 l/min	18.1 l/min	22.5 l/min

Production

Main body is a single casted pieces

Material

BRASS
According to CuZn35Pb2AL-B (CB752S)
Max Lead content: 1.36%

IB RUBINETTERIE s.p.a
via dei Pianotti 3/5
25068 Sarezzo (BS) - Italy -

T. +39 030 802101
F. +39 030 803097
info@weareib.it

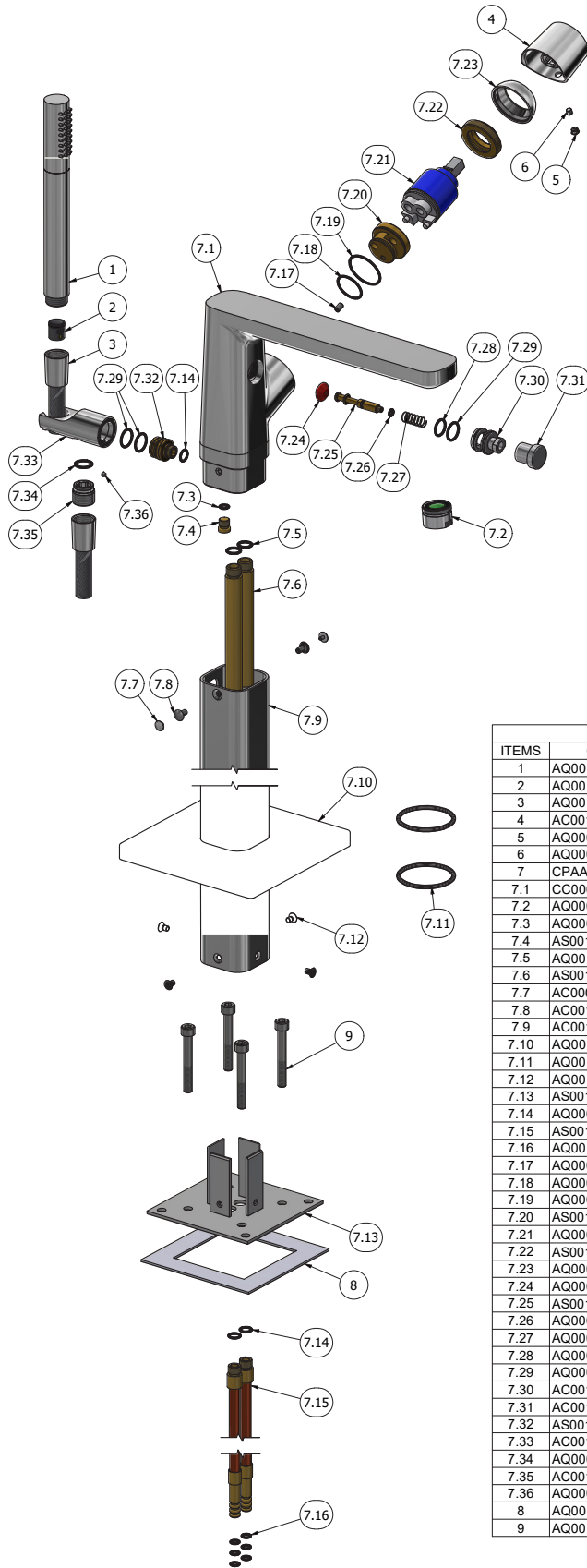
P.IVA 01785230986
capitale sociale
€420.000,00 i.v.

www.weareib.it





WE ARE IB



Parts list				
ITEMS	CODE	DESCRIPTION	FIN	QTA
1	AQ0013557	Onair hand shower	F	1
2	AQ0013247	Flow reduction+CV Ø15 4L	-	1
3	AQ0018056	Flex snapon G1/2" F L150cm Silver	F	1
4	AC0012675-TI	Handle Ø50 Ø45 H45	-	1
5	AQ0006650	Plug cover Ø7	F	1
6	AQ0001100	Grubscrew M5x5 flat point	-	1
7	CPAA399CC-21	Preassembled floor-standing bath filler	-	1
7.1	CC0002370	Mixer body 55x55x49 H187 L280	F	1
7.2	AQ0009068	Neostrahl LP flow straightener - TF size (01.455.00001)	F	1
7.3	AQ0001330	OR 6.75x1.78 NBR 70 SH	-	1
7.4	AS0010770	Plug M10x1 H12	G	1
7.5	AQ0010152	OR 11x2 NBR 70 SH	-	2
7.6	AS0016741	Extension for flexible hose connection	G	2
7.7	AC0007108	M3 plug cover for screw	F	2
7.8	AC0010055	Screw M5x10	F	2
7.9	AC0012677	Pipe 55x55 L706	F	1
7.10	AQ0015250	Carter 160x160x15 55.5x55.5 R15.5	-	1
7.11	AQ0012075	OR 49.2x3.53 NBR 70 SH	-	2
7.12	AQ0013722	Inox screw M5x8 countersunk head	-	4
7.13	AS0017310	Flange 120x120x63	G	1
7.14	AQ0004180	OR 9.25x1.78 NBR 70 SH	-	3
7.15	AS0013171	Pipe M12x1 L638	-	2
7.16	AQ0012025	OR 6.35x1.78 NBR 70 SH	-	6
7.17	AQ0001090	Grubscrew M5x8 flat point	-	1
7.18	AQ0006586	OR 25.12x1.78 NBR 70 SH	-	1
7.19	AQ0008026	OR 33.05x1.78 NBR 70 SH	-	1
7.20	AS0012676	Insert Ø38 Ø28.5 H21	G	1
7.21	AQ0004065	Ceramic cartridge Ø40	-	1
7.22	AS0012363	Cartridge fixing nut M42x1.5 H12	G	1
7.23	AQ0007075	Nut cover W42x19 Ø46	F	1
7.24	AQ0000340	Biconic packaging NBR 60SH 18 x 9,6	-	1
7.25	AS0012435	Rod for diverter	G	1
7.26	AQ0001410	OR 4.2x1.9 NBR 70 SH	-	1
7.27	AQ0001300	Spring F 0,6 D.E. 9,8 Sp.	-	1
7.28	AQ0009818	OR 14x1.78 NBR 70 SH	-	1
7.29	AQ0004600	OR 15.6x1.78 NBR 70 SH	-	3
7.30	AC0012436	Diverter body	F	1
7.31	AC0010455	Diverter knob Ø23 x 18,5 H.22,6	F	1
7.32	AS0011545	Connection piece M12x1 L25	G	1
7.33	AC0012686	Hand shower support Ø30 H70	F	1
7.34	AQ0001390	OR 14x2 NBR 70 SH	-	1
7.35	AC0011892	Shower connection piece G1/2" M19x1 H19	F	1
7.36	AQ0001082	Grubscrew M4x4 cone point	-	1
8	AQ0015986	Rubber packing double-sided tape 128x128x2	-	1
9	AQ0016200	Inox screw TCEI M8x60 DIN912	-	4



WE ARE IB

WARRANTY

All IB Rubinetterie SpA products are warranted for 10 years from the date of purchase, for the following cases:

- Defects of casting, porosity and chrome plating.
- Operating defects caused by incorrect fabrication.

The warranty provides for repair or replacement of products with fabrication defects recognized by our technical office. There is no other type of compensation anche the merchandise must be returned FOB our warehouse. The warranty only cover surface defects (scartches, dings, etc.) on fitting that have not been installed and used, returned in its original packaging with all components. O-ring, gasket seals and components subject to wear proportional to use are warranted for 2 years.

The warranty is void in the following cases:

Error installing and putting the product into service.

Deterioration of finished surfaces due to use of cleaning products containing acids or abrasive substances.

Deterioration of surface with finishes other than chrome plating. Their durability is, in fact, dependent on the user's care and gentleness of use.

Deterioration of the fitting due incorrect installation.

Improper repairs and maintenance performed without the company's prior authorization.

The warranty from IB Rubinetterie SpA is not renewable.

Cleaning

We recommended cleaning the finish surfaces with water and soap, using a soft cloth.

Do not use detergents that cointain hydrochloric acid or abrasive substances.