



WE ARE IB

Collection

**BOLD**

Article

**B2210**

Description

**Ceiling spout with wall mounted mixer**

**Built-in body to be purchased separately INC300**

Box Dimensions

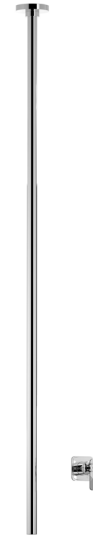
**150 x 190 x 98 mm**  
**L 1700 mm x Ø70**

Weight

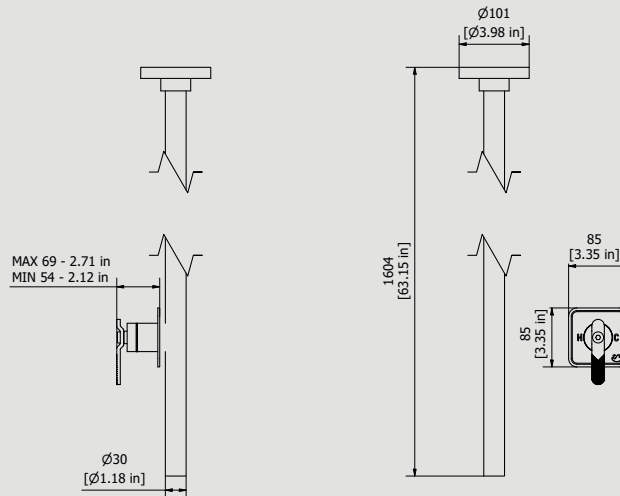
**4.5 kg**

Finishes

- **CC**  
CHROME
- **CF**  
BLACK CHROME
- **OO**  
GOLD
- **MB**  
MODERN BRONZE
- **SS**  
BRUSHED NICKEL
- **CS**  
BRUSHED BLACK CHROME
- **BO**  
MATT WHITE
- **NP**  
MATT BLACK
- **IS**  
BRUSHED PALE GOLD
- **OS**  
BRUSHED GOLD
- **II**  
PALE GOLD
- **RR**  
ANTIQUE COPPER
- **RS**  
ROSE GOLD
- **ON**  
NATURAL BRASS
- **SR**  
BRUSHED ROSE GOLD
- **PL**  
PLATINUM



Dimensions



Cartridge

**Ø35 ceramic cartridge**

Threaded fitting

**G1/2" female**

Aerator

**M24x1**

Flow Rate (+/-10%)

**1 BAR**  
**4.3 l/min**

**2 BAR**  
**5.2 l/min**

**3 BAR**  
**6.9 l/min**

Production

**Main body is a single hot stamped pieces**

Material

**BRASS**  
**According to CuZn42 (CW510L)**  
**Max Lead content: 0.2%**

**IB RUBINETTERIE s.p.a**  
via dei Pianotti 3/5  
25068 Sarezzo (BS) - Italy -

T. +39 030 802101  
F. +39 030 803097  
info@weareib.it

P.IVA 01785230986  
capitale sociale  
€420.000,00 i.v.

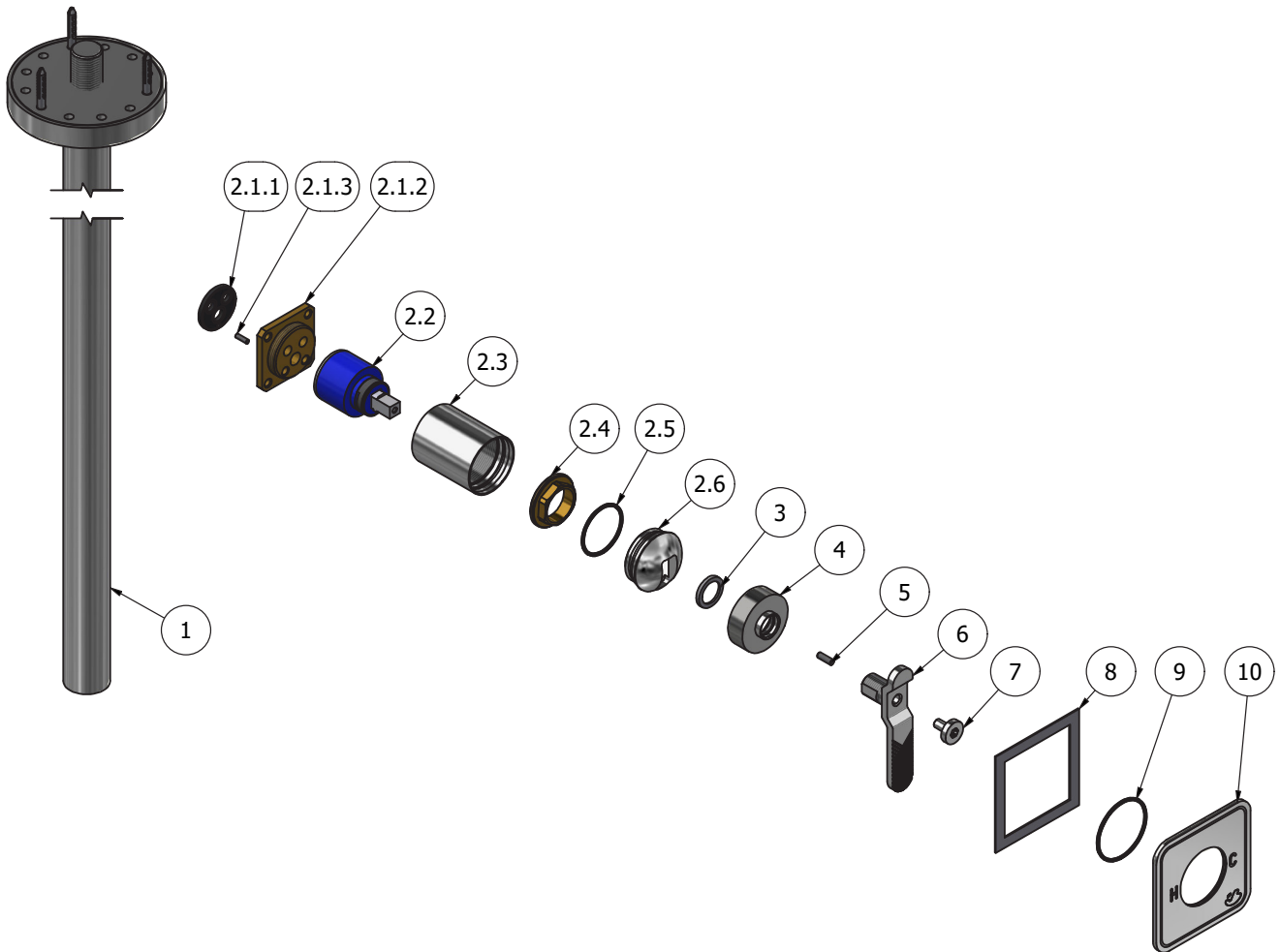
[www.weareib.it](http://www.weareib.it)





WE ARE IB

Parts list				
ITEMS	CODE	DESCRIPTION	FIN	QTÀ
1	AQ0014252	Ceiling wash basin mixer	F	1
2	CPIN206CC-29	Mixer 47x47 recessed	-	1
2.1	CP13040XXN_1	Inserto 47x47	-	1
2.1.1	AQ0015684	Gasket Ø31 H3.5 Ø7 Ø7.5	-	1
2.1.2	AS0013040	Insert 47x47 H11 M37x1.5	G	1
2.1.3	AQ0015357	Grubscrew M3x10 flat point	-	1
2.2	AQ0004095	Ceramic cartridge Ø35 9x9 (K35A)	-	1
2.3	AC0011367	Seat for cartridge Ø41 H51	F	1
2.4	AQ0001040	Cartridge ring nut M37x1.5 H9	G	1
2.5	AQ0008026	OR 33.05x1.78 NBR 70 SH	-	1
2.6	AC0015180	Cover for nut Ø41.2 H22.7 R24	F	1
3	AQ0015291	Antifriction ring Ø21.8 Ø16 H2.8	G	1
4	AC0015179	Handle's cover Ø41 H17.5 M15x1.5 knurled	F	1
5	AQ0014996	Grubscrew M4x12 flat point	-	1
6	CC0002281	Handle 18 L94 H30.5 9x9	F	1
7	AC0015171	Screw Ø16 M4 H16	F	1
8	AQ0015829	Rubber packing double-sided tape 75x75x8x1	-	1
9	AQ0001440	OR 41x1.78 NBR 70 SH	-	1
10	AC1013105	Plate machined 85x85x3	F	1





WE ARE **IB**

### WARRANTY

All IB Rubinetterie SpA products are warranted for 10 years from the date of purchase, for the following cases:

- Defects of casting, porosity and chrome plating.
- Operating defects caused by incorrect fabrication.

The warranty provides for repair or replacement of products with fabrication defects recognized by our technical office. There is no other type of compensation anche the merchandise must be returned FOB our warehouse. The warranty only cover surface defects (scartches, dings, etc.) on fitting that have not been installed and used, returned in its original packaging with all components. O-ring, gasket seals and components subject to wear proportional to use are warranted for 2 years.

#### **The warranty is void in the following cases:**

Error installing and putting the product into service.

Deterioration of finished surfaces due to use of cleaning products containing acids or abrasive substances.

Deterioration of surface with finishes other than chrome plating. Their durability is, in fact, dependent on the user's care and gentleness of use.

Deterioration of the fitting due incorrect installation.

Improper repairs and maintenance performed without the company's prior authorization.

The warranty from IB Rubinetterie SpA is not renewable.

#### **Cleaning**

We recommended cleaning the finish surfaces with water and soap, using a soft cloth.

Do not use detergents that cointain hydrochloric acid or abrasive substances.