

Collection

BOLD

Article

B2313

Description

Exposed parts for manual wall mixer with two ways

Built-in body to be purchased separately INC313

Box Dimensions

370 x 270 x 80 mm

Weight

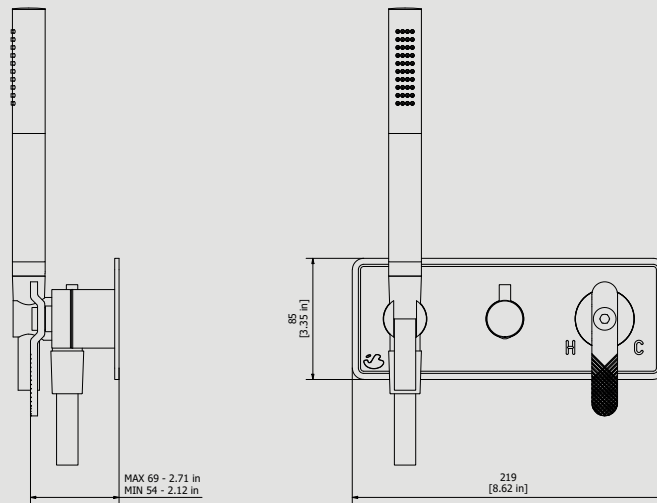
2.8 kg

Finishes

- **CC**
CHROME
- **CF**
BLACK CHROME
- **OO**
GOLD
- **MB**
MODERN BRONZE
- **SS**
BRUSHED NICKEL
- **CS**
BRUSHED BLACK CHROME
- **BO**
MATT WHITE
- **NP**
MATT BLACK
- **IS**
BRUSHED PALE GOLD
- **OS**
BRUSHED GOLD
- **II**
PALE GOLD
- **RR**
ANTIQUE COPPER
- **RS**
ROSE GOLD
- **ON**
NATURAL BRASS
- **SR**
BRUSHED ROSE GOLD
- **PL**
PLATINUM



Dimensions



Cartridge

Ø35 ceramic cartridge

Threaded fitting

Aerator

Flow Rate (+/-10%)

1 BAR
10 l/min

2 BAR
14.1 l/min

3 BAR
17.2 l/min

Production

Main body is a machined from a solid pieces

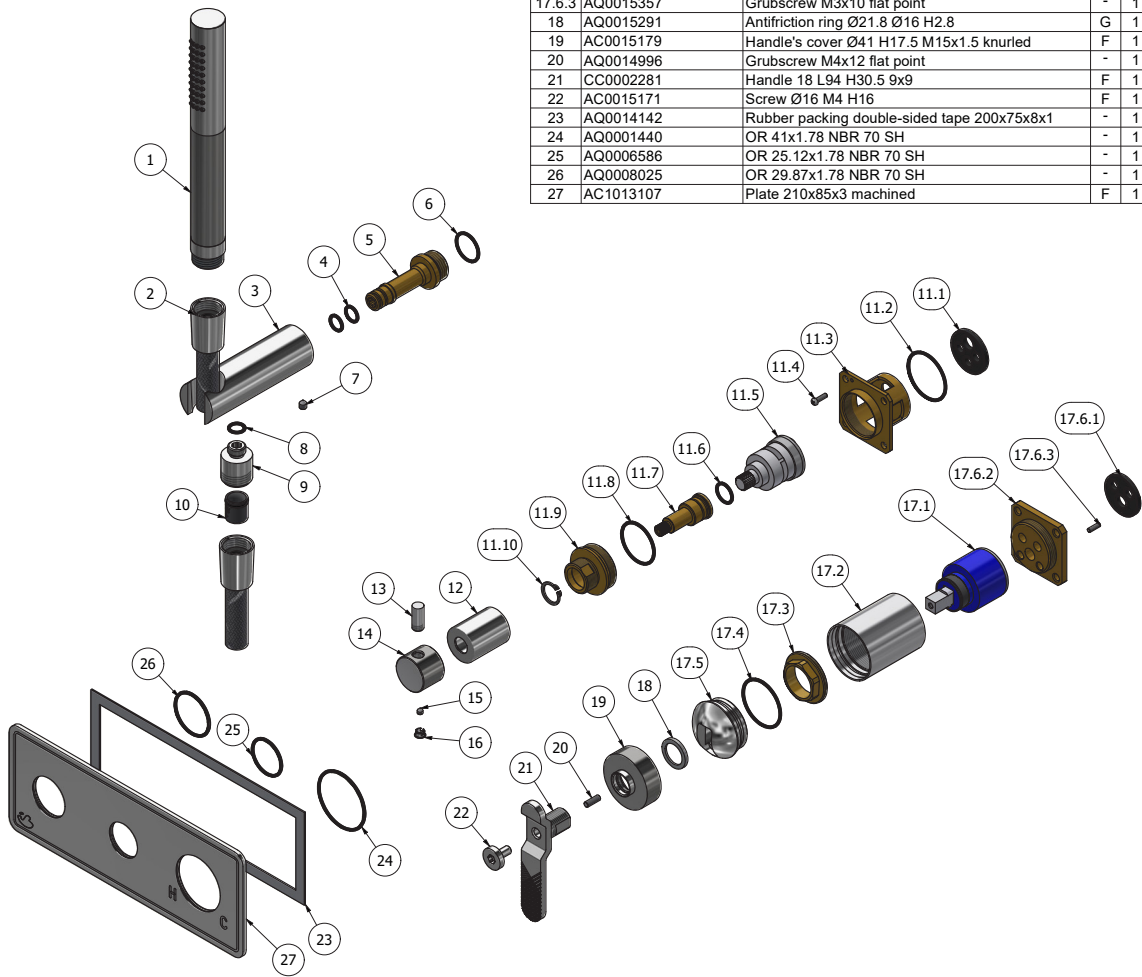
Material

BRASS
According to CuZn39Pb3 (CW614N)
Max Lead content: 2.5%



WE ARE IB

Parts list			
ITEMS	CODE	DESCRIPTION	FIN QTA
1	AQ0015375	Union shower Ø23	F 1
2	AC0018056	Flex snapon G1/2" F L150cm Silver	F 2
3	AC0013053	Hand shower's support Ø30 L94.8	F 1
4	AQ0004180	OR 9.25x1.78 NBR 70 SH	- 2
5	AS0018164	Bayonet coupling G1/2" M H62.5	G 1
6	AQ0004640	OR 18.77x1.78 NBR 70 SH	- 1
7	AQ0014670	Grubscrew M5x6 cone point	- 1
8	AQ0001340	OR 8.73x1.78 NBR 70 SH	- 1
9	AC0013052	Reduction G1/2" M M12x1 M H20.5	F 1
10	AQ0013247	Flow reduction+CV Ø15 4L	- 1
11	CPDEV2VCCXN_1	90 ° built-in 2-way diverter 48x48 z8x20	- 1
11.1	AQ0015686	Rubber Ø32 H4	- 1
11.2	AQ0008026	OR 33.05x1.78 NBR 70 SH	- 1
11.3	AS0013047	Insert 47x47x32	G 1
11.4	AQ0012206	Inox screw M3x10	- 1
11.5	AQ0017450	Cartridge dev.2 outputs 90°	- 1
11.6	AQ0004610	OR 12.42x1.78 NBR 70 SH	- 1
11.7	AS0013048	Rod Ø17.9 H42.4	G 1
11.8	AQ0010597	OR 28.3x1.78 NBR 70 SH	- 1
11.9	AS0013050	Junction M32x1 M22x1 H23	G 1
11.10	AQ0015748	Seeger ring Ø14 H1	- 1
12	AC0013054	Ring Ø26 M22x1 F H33	F 1
13	AC0007092	Handle knob M8 H19	F 1
14	AC0012746	Diverter's knob Ø26 H20 knurled	F 1
15	AQ0001082	Grubscrew M4x4 cone point	- 1
16	AQ0006650	Plug cover Ø7	F 1
17	CPIN206CC-29	Mixer 47x47 recessed	- 1
17.1	AQ0004095	Ceramic cartridge Ø35 9x9 (K35A)	- 1
17.2	AC0011367	Seat for cartridge Ø41 H51	F 1
17.3	AQ0001040	Cartridge ring nut M37x1.5 H9	G 1
17.4	AQ0008026	OR 33.05x1.78 NBR 70 SH	- 1
17.5	AC0015180	Cover for nut Ø41.2 H22.7 R24	F 1
17.6	CP13040XXN_1	Inserto 47x47	- 1
17.6.1	AQ0015684	Gasket Ø31 H3.5 Ø7 Ø7.5	- 1
17.6.2	AS0013040	Insert 47x47 H11 M37x1.5	G 1
17.6.3	AQ0015357	Grubscrew M3x10 flat point	- 1
18	AQ0015291	Antifriction ring Ø21.8 Ø16 H2.8	G 1
19	AC0015179	Handle's cover Ø41 H17.5 M15x1.5 knurled	F 1
20	AQ0014996	Grubscrew M4x12 flat point	- 1
21	CC0002281	Handle 18 L94 H30.5 9x9	F 1
22	AC0015171	Screw Ø16 M4 H16	F 1
23	AQ0014142	Rubber packing double-sided tape 200x75x8x1	- 1
24	AQ0001440	OR 41x1.78 NBR 70 SH	- 1
25	AQ0006586	OR 25.12x1.78 NBR 70 SH	- 1
26	AQ0008025	OR 29.87x1.78 NBR 70 SH	- 1
27	AC1013107	Plate 210x85x3 machined	F 1





WE ARE IB

WARRANTY

All IB Rubinetterie SpA products are warranted for 10 years from the date of purchase, for the following cases:

- Defects of casting, porosity and chrome plating.
- Operating defects caused by incorrect fabrication.

The warranty provides for repair or replacement of products with fabrication defects recognized by our technical office. There is no other type of compensation anche the merchandise must be returned FOB our warehouse. The warranty only cover surface defects (scartches, dings, etc.) on fitting that have not been installed and used, returned in its original packaging with all components. O-ring, gasket seals and components subject to wear proportional to use are warranted for 2 years.

The warranty is void in the following cases:

Error installing and putting the product into service.

Deterioration of finished surfaces due to use of cleaning products containing acids or abrasive substances.

Deterioration of surface with finishes other than chrome plating. Their durability is, in fact, dependent on the user's care and gentleness of use.

Deterioration of the fitting due incorrect installation.

Improper repairs and maintenance performed without the company's prior authorization.

The warranty from IB Rubinetterie SpA is not renewable.

Cleaning

We recommanded cleaning the finish surfaces with water and soap, using a soft cloth.

Do not use detergents that cointain hydrochloric acid or abrasive substances.