



WE ARE IB

Collection

PURO

Article

B2386

Description

3 ways monohole kitchen mixer.

Box Dimensions

675x320x80 mm

Weight

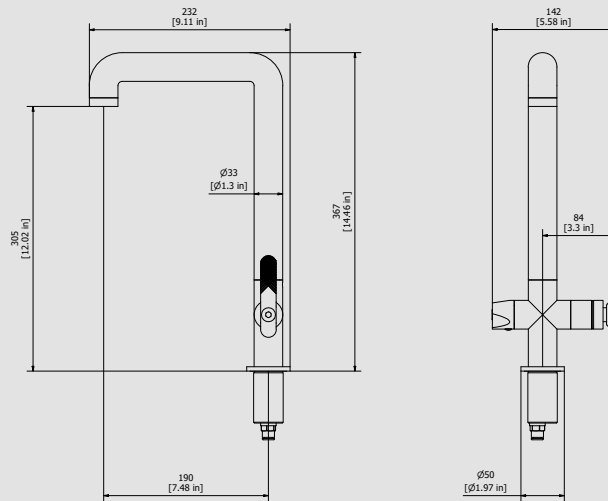
3 kg

Finishes

- **CC**
CHROME
- **PL**
PLATINUM
- **SS**
BRUSHED
NICKEL
- **ON**
NATURAL
BRASS
- **BO**
MATT
WHITE
- **NP**
MATT
BLACK
- **CF**
BLACK
CHROME
- **CS**
BRUSHED
BLACK
CHROME
- **II**
PALE
GOLD
- **IS**
BRUSHED
PALE GOLD
- **RS**
ROSE
GOLD
- **SR**
BRUSHED
ROSE GOLD
- **OO**
GOLD
- **OS**
BRUSHED
GOLD
- **RR**
ANTIQUÉ
COPPER
- **BB**
ANTIQUÉ
BRONZE



Dimensions



Cartridge

G3/8" ceramic headwork

Hoses

Flex M8x1 G1/2" F L600mms

Aerator

M24x1

Flow Rate (+/-10%)

1 BAR	2 BAR	3 BAR
5.6 l/m	5.6 l/m	5.6 l/m

Production

Main body is a machined from a solid pieces.

Material

BRASS
According to CuZn42 (CW510L)
Max Lead content: 0.2%

IB RUBINETTERIE s.p.a
via dei Pianotti 3/5
25068 Sarezzo (BS) - Italy -

T. +39 030 802101
F. +39 030 803097
info@weareib.it

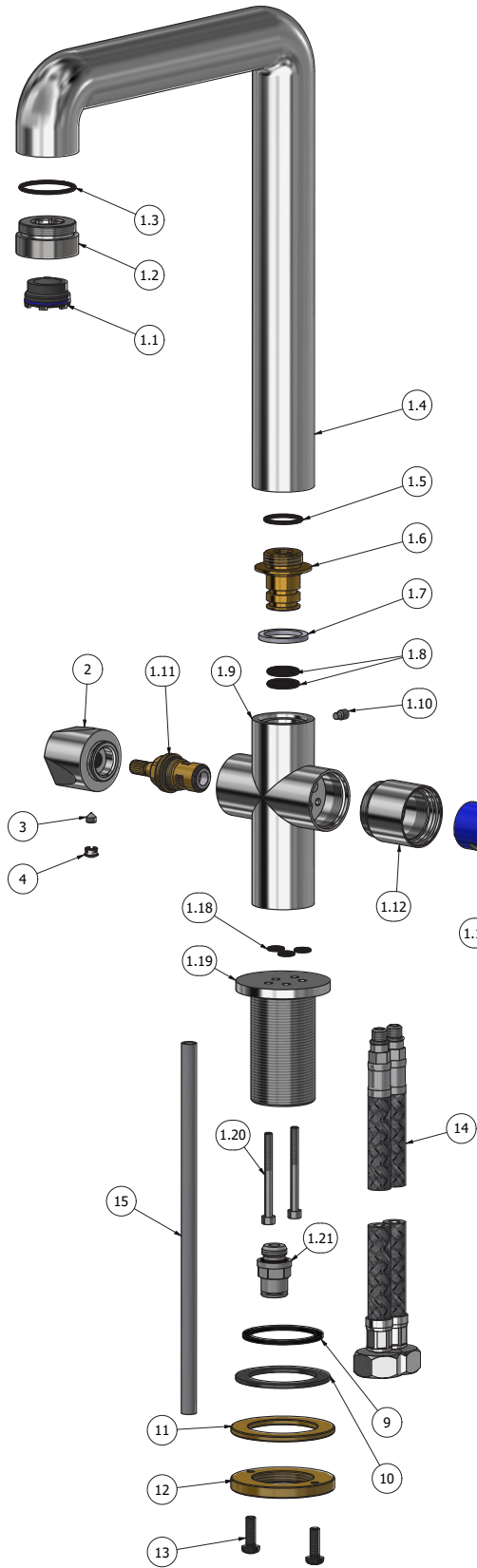
P.IVA 01785230986
capitale sociale
€420.000,00 i.v.

www.weareib.it





WE ARE IB



Parts list			
ITEMS	CODE	DESCRIPTION	QTA
1	CPB2386CCN-1	Preassembled sink mixer 3 ways	1
1.1	AQ0017304	Perlator cahcè laminar M24x1 1.5 GPM (40.2356.010)	1
1.2	AC0017717	Support for aerator Ø33 M30x1.5 H17 knurled	1
1.3	AQ0010564	OR 26.7x1.78 NBR 70 SH	1
1.4	CC0002330	Spout Ø33 H262 L223	1
1.5	AQ0004630	OR 17.16x1.78 NBR 70 SH	1
1.6	AS0012692	Insert for spout Ø30 G1/2" L30.4 kitchen	1
1.7	AQ0007140	Antifriction ring Ø26 Ø20.3 H2.5	1
1.8	AQ0001360	OR 11.91x2.62 NBR 70 SH	2
1.9	CC0002922	Mixer body 3 ways Ø33 H100 L65	1
1.10	AQ0007178	Grubscrew M5x8 half dog point	1
1.11	AQ0010516	Ceramic headwork G3/8" SX	1
1.12	AC0017718	Cartridge ring Ø33 M30x1.5 H31	1
1.13	AQ0015157	Ceramic cartridge Ø25 closed Ø5.9 x 4.9 (K25 OPC B)	1
1.14	AS0015162	Nut Ø28.5 H14.5 M27x1	1
1.15	AQ0009815	OR 23.52x1.78 NBR 70 SH	1
1.16	AQ0015158	Antifriction ring Ø30.8 Ø29 H2.2	1
1.17	AC0017289	Cover Ø33 H15.5 Ø28.7	1
1.18	AQ0001325	OR 6x1.5 NBR 70 SH	3
1.19	AQ0017491	Threaded steam Ø50 M34x1 H65 3 holes	1
1.20	AQ0016831	Inox screw M4x45 ISO 4762	2
1.21	AQ0017465	Straight fitting G1/4" Ø8 (2F01060)	1
2	AC0017631-N	Handle Ø33 H28.5 Z40 H3 natural	1
3	AQ0009729	Grubscrew M5x5 cone point	1
4	AQ0006650	Plug cover Ø7	1
5	AC0015164	Handle's cover Ø33 H15 knurled	1
6	CC0002276	Handle 18 L94 H30.5 M10x1	1
7	AQ0015357	Grubscrew M3x10 flat point	1
8	AC0015166	Screw Ø16 M3 H16	1
9	AQ0008012	Plane seal Ø42.5x35.5x2	1
10	AQ0010549	Gasket seal 50x36x2	1
11	AS0011276	Ring Ø55x36.5x3	1
12	AS0017487	Nut Ø55 M34x1.5 H6	1
13	AQ0010358	Inox screw M5x16 ISO 7045	2
14	AQ0016697	Inox hose M8x1 G1/2" F L600 DN6	2
15	AQ0017474-500 2	Pipe Ø8 L500	1



WE ARE IB

WARRANTY

All IB Rubinetterie SpA products are warranted for 10 years from the date of purchase, for the following cases:

- Defects of casting, porosity and chrome plating.
- Operating defects caused by incorrect fabrication.

The warranty provides for repair or replacement of products with fabrication defects recognized by our technical office. There is no other type of compensation anche the merchandise must be returned FOB our warehouse. The warranty only cover surface defects (scartches, dings, etc.) on fitting that have not been installed and used, returned in its original packaging with all components. O-ring, gasket seals and components subject to wear proportional to use are warranted for 2 years.

The warranty is void in the following cases:

Error installing and putting the product into service.

Deterioration of finisched surfaces due to use of cleaning products containing acids or abrasive substances.

Deterioration of surface with finishes other than chrome plating. Their durability is, in fact, dependent on the user's care and gentleness of use.

Deterioration of the fitting due incorrect installation.

Improper repairs and maintenance performed without the company's prior authorization.

The warranty from IB Rubinetterie SpA is not renewable.

Cleaning

We recommended cleaning the finish surfaces with water and soap, using a soft cloth.

Do not use detergents that cointain hydrochloric acid or abrasive substances.