



WE ARE IB

Collection

BOLD

Article

B2392

Description

Three holes washbasin with low spout

Box Dimensions

455 x 310 x 75 mm

Weight

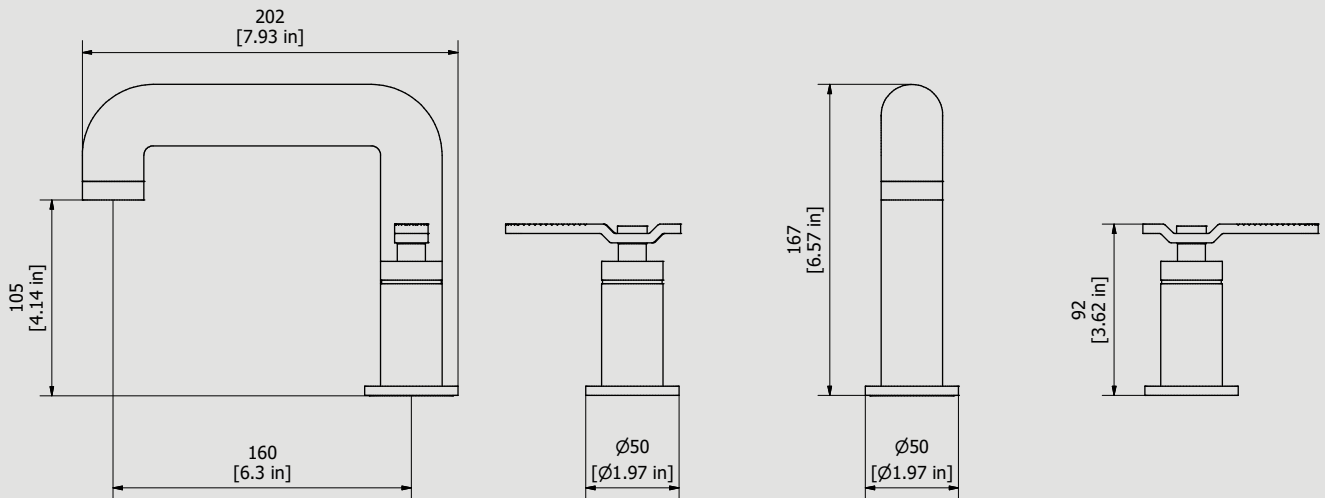
4.4 kg

Finishes

- **CC**
CHROME
- **CF**
BLACK CHROME
- **OO**
GOLD
- **MB**
MODERN BRONZE
- **SS**
BRUSHED NICKEL
- **CS**
BRUSHED BLACK CHROME
- **BO**
MATT WHITE
- **NP**
MATT BLACK
- **IS**
BRUSHED PALE GOLD
- **OS**
BRUSHED GOLD
- **II**
PALE GOLD
- **RR**
ANTIQUÉ COPPER
- **RS**
ROSE GOLD
- **ON**
NATURAL BRASS
- **SR**
BRUSHED ROSE GOLD
- **PL**
PLATINUM



Dimensions



Cartridge

G1/2" ceramic cartridge

Threaded fitting

G1/2" male

Aerator

M24x1

Flow Rate (+/-10%)

1 BAR	2 BAR	3 BAR
3.3 l/min	4.4 l/min	4.5 l/min

Production

Main body is a single casted pieces

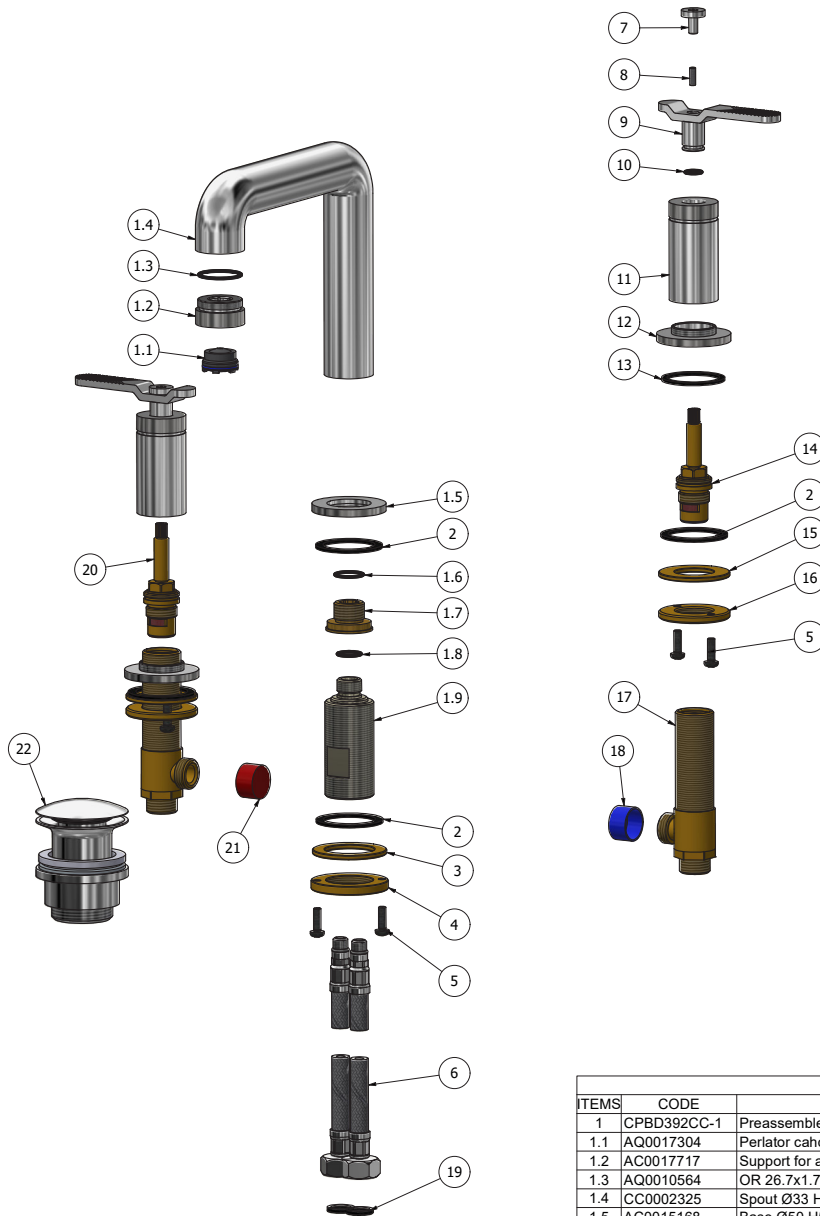
Material

BRASS
According to CuZn35Pb2Al-B (CB752S)
Max Lead content: 1.36%





WE ARE IB



Parts list			
ITEMS	CODE	DESCRIPTION	FIN QTA
1	CPBD392CC-1	Preassembled spout	F 1
1.1	AQ0017304	Perlator cahcè laminar M24x1 1.5 GPM (40.2356.010)	- 1
1.2	AC0017717	Support for aerator Ø33 M30x1.5 H17 knurled	F 1
1.3	AQ0010564	OR 26.7x1.78 NBR 70 SH	- 1
1.4	CC0002325	Spout Ø33 H162 L193	F 1
1.5	AC0015168	Base Ø50 H5 knurled	F 1
1.6	AQ0004630	OR 17.16x1.78 NBR 70 SH	- 1
1.7	AS0015169	Reduction G1/2" G3/8" H19	G 1
1.8	AQ0009818	OR 14x1.78 NBR 70 SH	- 1
1.9	AN0010761	Threaded stem M33x1.5 G3/8" H80	N 1
2	AQ0008013	Rubber packing 45x35x2	- 4
3	AS0010659	Brass ring Ø50x35.5x3	G 1
4	AS0010658	Ring nut with screwed holes Ø52 M33x1.5 H6	G 1
5	AQ0010358	Inox screw M5x16 ISO 7045	- 6
6	AQ0015762	Inox hose DN8 M10x1 G1/2" L400 WRAS	- 2
7	AC0015171	Screw Ø16 M4 H16	F 2
8	AQ0014996	Grubscrew M4x12 flat point	- 2
9	CC0002284	Handle 18 L94 H30.5 8x20	F 2
10	AQ0004180	OR 9.25x1.78 NBR 70 SH	- 2
11	AC0016763	Bell Ø33 M301 26x19 H67 knurled	F 2
12	AC0015167	Base Ø50 M30x1 H10 knurled	F 2
13	AQ0008012	Plane seal Ø42.5x35.5x2	- 2
14	AQ0010528	Ceramic headwork 90° DX H38.5 8x20	- 1
15	AS0010697	Washer Ø48 x Ø26.5 x3	G 2
16	AS0010698	Ring nut W26x19	G 2
17	AS0002250	Washbasin upright W26x19	G 2
18	AQ0015329	Blue plug G1/2"	- 1
19	AQ0010360	Rubber packing 1/2" H2 with filter	- 2
20	AQ0010529	Ceramic headwork 90° SX H38.5 8x20	- 1
21	AQ0015328	Red plug G1/2"	- 1
22	AQ0009837	Simple rapid waste 1"1/4	F 1



WE ARE **IB**

All IB Rubinetterie SpA products are warranted for 10 years from the date of purchase, for the following cases:

- Defects of casting, porosity and chrome plating.
- Operating defects caused by incorrect fabrication.

The warranty provides for repair or replacement of products with fabrication defects recognized by our technical office. There is no other type of compensation anche the merchandise must be returned FOB our warehouse. The warranty only cover surface defects (scartches, dings, etc.) on fitting that have not been installed and used, returned in its original packaging with all components. O-ring, gasket seals and components subject to wear proportional to use are warranted for 2 years.

The warranty is void in the following cases:

Error installing and putting the product into service.

Deterioration of finished surfaces due to use of cleaning products containing acids or abrasive substances.

Deterioration of surface with finishes other than chrome plating. Their durability is, in fact, dependent on the user's care and gentleness of use.

Deterioration of the fitting due incorrect installation.

Improper repairs and maintenance performed without the company's prior authorization.

The warranty from IB Rubinetterie SpA is not renewable.

Cleaning

We recommended cleaning the finish surfaces with water and soap, using a soft cloth.

Do not use detergents that cointain hydrochloric acid or abrasive substances.