

Collection

BOLD

Article

B2394

Description

Two hole basin mixer set

Box Dimensions

360x220x150 mm

Weight

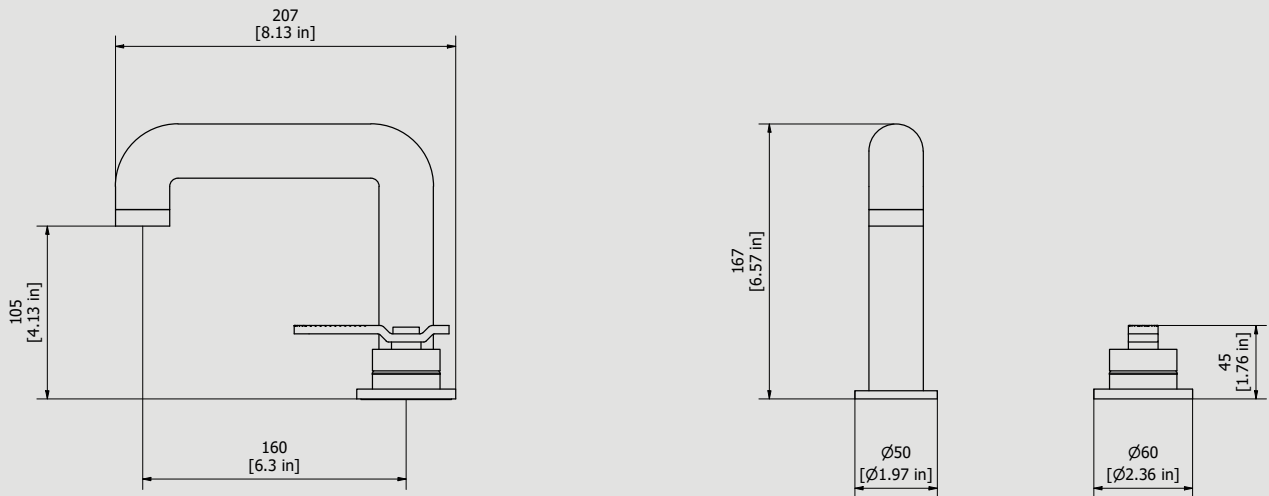
2.5 kg

Finishes

- **CC**
CHROME
- **CF**
BLACK CHROME
- **OO**
GOLD
- **MB**
MODERN BRONZE
- **SS**
BRUSHED NICKEL
- **CS**
BRUSHED BLACK CHROME
- **BO**
MATT WHITE
- **NP**
MATT BLACK
- **IS**
BRUSHED PALE GOLD
- **OS**
BRUSHED GOLD
- **II**
PALE GOLD
- **RR**
ANTIQUÉ COPPER
- **RS**
ROSE GOLD
- **ON**
NATURAL BRASS
- **SR**
BRUSHED ROSE GOLD
- **PL**
PLATINUM



Dimensions



Cartridge

Ceramic cartridge Ø35

Threaded fitting

Flex inox G1/2" F G1/2" F L300

Aerator

M24x1

Flow Rate (+/-10%)

1 BAR	2 BAR	3 BAR
3.3 l/min	4.4 l/min	4.5 l/min

Production

Main body is a single casted pieces

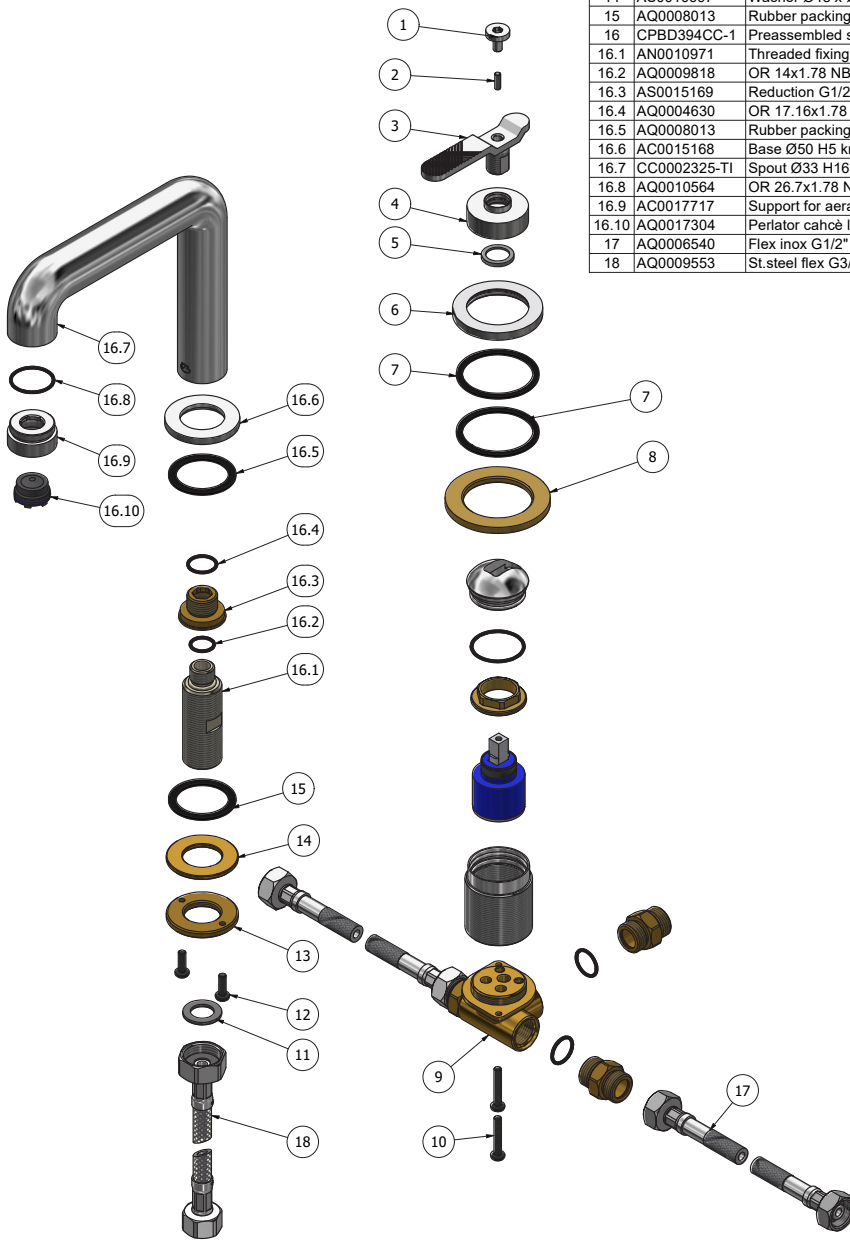
Material

BRASS
According to CuZn35Pb2Al-B (CB752S)
Max Lead content: 1.36%



WE ARE IB

Parts list			
ITEMS	CODE	DESCRIPTION	FIN QTA
1	AC0015171	Screw Ø16 M4 H16	F 1
2	AQ0014996	Grubscrew M4x12 flat point	- 1
3	CC0002281	Handle 18 L94 H30.5 9x9	F 1
4	AC0015179	Handle's cover Ø41 H17.5 M15x1.5 knurled	F 1
5	AQ0015291	Antifriction ring Ø21.8 Ø16 H2.8	G 1
6	AC0013072	Fixing ring Ø60 M45x1.5 knurled	F 1
7	AQ0011028	Flat gasket Ø55 Ø47 H2	- 2
8	AS0013073	Support ring Ø70 Ø46 H5	G 1
9	CPBD394CC-2	Pre-assembled mixer 394	F 1
9.1	AC0015180	Cover for nut Ø41.2 H22.7 R24	F 1
9.2	AQ0008026	OR 33.05x1.78 NBR 70 SH	- 1
9.3	AQ0001040	Cartridge ring nut M37x1.5 H9	G 1
9.4	AQ0004095	Ceramic cartridge Ø35 9x9 (K35A)	- 1
9.5	AC0013074	Seat for cartridge Ø41 M45x1.5 H51	F 1
9.6	AQT010369	Recessed shower mixer body Ø35 DZR	G 1
9.7	AQ0004630	OR 17.16x1.78 NBR 70 SH	- 3
9.8	AS0010301	Reduction G1/2" M G1/2" M with valve seat	G 3
10	AQ0009153	Inox screw M5x30 ISO 7045	- 2
11	AQ0001600	Gasket 24x16x2 G3/4"	- 1
12	AQ0010358	Inox screw M5x16 ISO 7045	- 2
13	AS0012647	Ring nut G3/4"	G 1
14	AS0010697	Washer Ø48 x Ø26.5 x3	G 1
15	AQ0008013	Rubber packing 45x35x2	- 1
16	CPBD394CC-1	Preassembled spout	F 1
16.1	AN0010971	Threaded fixing stem G3/4" G3/8" H76 with seat valve	N 1
16.2	AQ0009818	OR 14x1.78 NBR 70 SH	- 1
16.3	AS0015169	Reduction G1/2" G3/8" H19	G 1
16.4	AQ0004630	OR 17.16x1.78 NBR 70 SH	- 1
16.5	AQ0008013	Rubber packing 45x35x2	- 1
16.6	AC0015168	Base Ø50 H5 knurled	F 1
16.7	CC0002325-TI	Spout Ø33 H162 L193 timbro	F 1
16.8	AQ0010564	OR 26.7x1.78 NBR 70 SH	- 1
16.9	AC0017717	Support for aerator Ø33 M30x1.5 H17 knurled	F 1
16.10	AQ0017304	Perlator cahcò laminar M24x1 1.5 GPM (40.2356.010)	- 1
17	AQ0006540	Flex inox G1/2" F G1/2" F L300	- 2
18	AQ0009553	St.steel flex G3/4" F G1/2" F L600 DN8	- 1





WE ARE IB

WARRANTY

All IB Rubinetterie SpA products are warranted for 10 years from the date of purchase, for the following cases:

- Defects of casting, porosity and chrome plating.
- Operating defects caused by incorrect fabrication.

The warranty provides for repair or replacement of products with fabrication defects recognized by our technical office. There is no other type of compensation anche the merchandise must be returned FOB our warehouse. The warranty only cover surface defects (scartches, dings, etc.) on fitting that have not been installed and used, returned in its original packaging with all components. O-ring, gasket seals and components subject to wear proportional to use are warranted for 2 years.

The warranty is void in the following cases:

Error installing and putting the product into service.

Deterioration of finished surfaces due to use of cleaning products containing acids or abrasive substances.

Deterioration of surface with finishes other than chrome plating. Their durability is, in fact, dependent on the user's care and gentleness of use.

Deterioration of the fitting due incorrect installation.

Improper repairs and maintenance performed without the company's prior authorization.

The warranty from IB Rubinetterie SpA is not renewable.

Cleaning

We recommended cleaning the finish surfaces with water and soap, using a soft cloth.

Do not use detergents that cointain hydrochloric acid or abrasive substances.