



WE ARE IB

Collection

BYE BYE

Article

BB002

Description

WC cover plate with double water flush

Box Dimensions

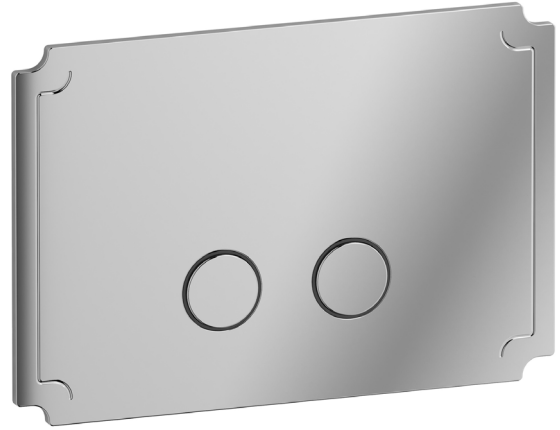
350 x 270 x 45 mm

Weight

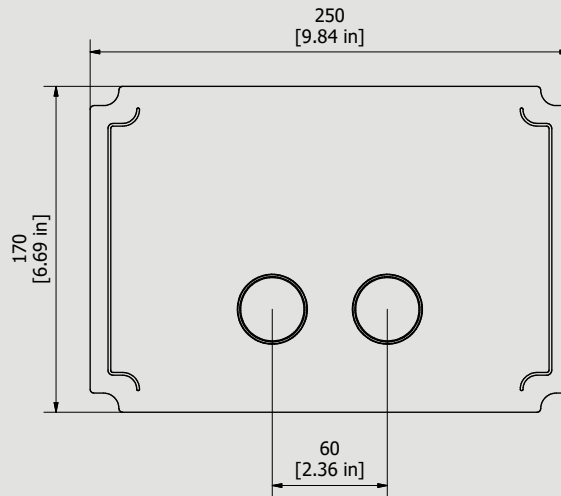
3.2 kg

Finishes

- **CC**
CHROME
- **CF**
BLACK CHROME
- **PL**
PLATINUM
- **BB**
ANTIQUÉ BRONZE
- **SS**
BRUSHED NICKEL
- **CS**
BRUSHED BLACK CHROME
- **BO**
MATT WHITE
- **ONP**
MATT BLACK
- **OO**
GOLD
- **MB**
MODERN BRONZE
- **II**
PALE GOLD
- **RR**
ANTIQUÉ COPPER
- **RS**
ROSE GOLD
- **ON**
NATURAL BRASS
- **IS**
BRUSHED PALE GOLD
- **OS**
BRUSHED GOLD
- **SR**
BRUSHED ROSE GOLD



Dimensions



Compatibility

UP720 / sigma 8
UP320 / sigma 12

Hoses

Aerator

Flow Rate (+/-10%)

1 BAR

2 BAR

3 BAR

Production

Material

BRASS
According to CuZn35Pb2Al-B (CB752S)
Max Lead content: 1.36%

IB RUBINETTERIE s.p.a
via dei Pianotti 3/5
25068 Sarezzo (BS) - Italy -

T. +39 030 802101
F. +39 030 803097
info@weareib.it

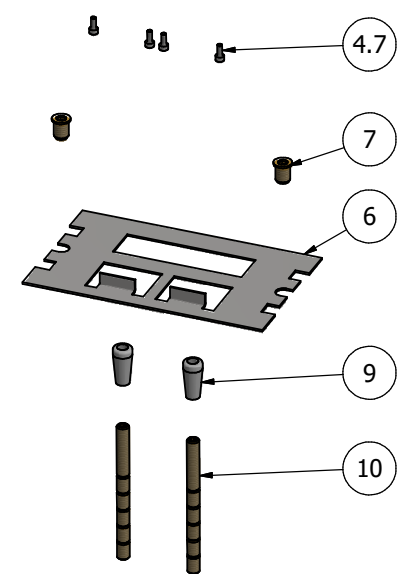
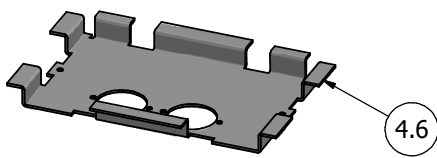
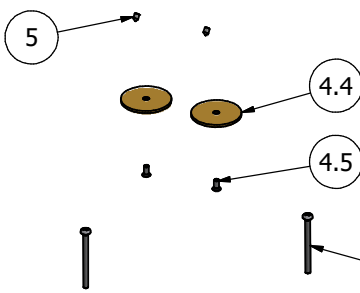
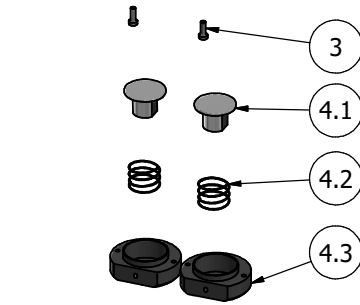
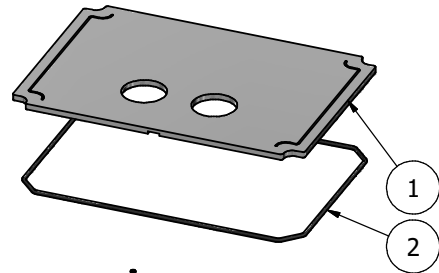
P.IVA 01785230986
capitale sociale
€420.000,00 i.v.

www.weareib.it





WE ARE IB



Parts list			
ELEM	CODE	DESCRIPTION	QT
1	AC0016068	Outside plate	1
2	AQ0016061 2	Gasket mousse Ø3	1
3	AQ0016069	Stainless steel screw M4x12	2
4	CPBB001C C-1	Pre-assembled key plate	1
4.1	AC0016060	Bottom Ø33	2
4.2	AQ0016057	Spring Ø25 h 25	2
4.3	AS0016056	Insert Ø60 H19 M4F	2
4.4	AQ0016058	Washer Ø33 x Ø4 sp.2	2
4.5	AQ0010280	Inox screw M4X8,5	2
4.6	AQ0016059	Plate for bottoms	1
4.7	AQ0010381	Inox screw M4 X 10	4
5	AQ0010444	Grubscrew M4x6 cone point	2
6	AQ0016063	Bottom plate 205 x 125 sp.1.5	1
7	AS0016062	Insert M12 x 1.5 H17	2
8	AQ0014629	Inox screw M4x50	2
9	AQ0016064	Regulator insert M10 X 1.5 L32	2
10	AS0016065	Threaded insert M10 X 1.5 L120	2



WE ARE IB

WARRANTY

All IB Rubinetterie SpA products are warranted for 10 years from the date of purchase, for the following cases:

- Defects of casting, porosity and chrome plating.
- Operating defects caused by incorrect fabrication.

The warranty provides for repair or replacement of products with fabrication defects recognized by our technical office. There is no other type of compensation unless the merchandise must be returned FOB our warehouse. The warranty only covers surface defects (scratches, dings, etc.) on fittings that have not been installed and used, returned in its original packaging with all components. O-ring, gasket seals and components subject to wear proportional to use are warranted for 2 years.

The warranty is void in the following cases:

Error installing and putting the product into service.

Deterioration of finished surfaces due to use of cleaning products containing acids or abrasive substances. Deterioration of surface with finishes other than chrome plating. Their durability is, in fact, dependent on the user's care and gentleness of use.

Deterioration of the fitting due to incorrect installation.

Improper repairs and maintenance performed without the company's prior authorization.

The warranty from IB Rubinetterie SpA is not renewable.

Cleaning

We recommend cleaning the finish surfaces with water and soap, using a soft cloth.

Do not use detergents that contain hydrochloric acid or abrasive substances.