



WE ARE IB

Collection

## BATLO'

Article

## BI202

Description

Tall monohole washbasin mixer complete with drain

Box Dimensions

425x188x98 mm

Weight

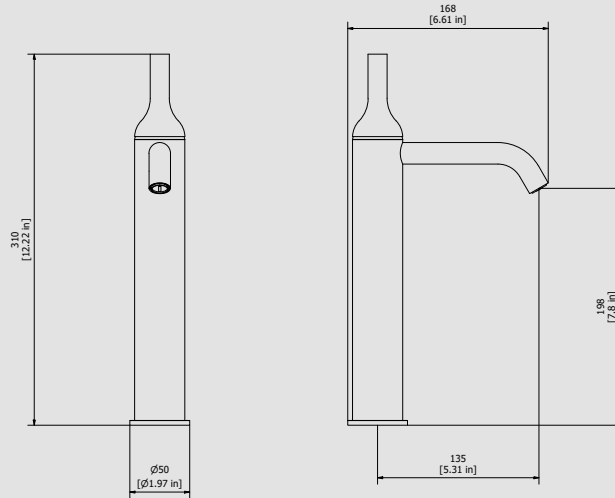
2.8 kg

Finishes

- **CC**  
CHROME
- **PL**  
PLATINUM
- **SS**  
BRUSHED  
NICKEL
- **ON**  
NATURAL  
BRASS
- **BO**  
MATT  
WHITE
- **NP**  
MATT  
BLACK
- **CF**  
BLACK  
CHROME
- **CS**  
BRUSHED  
BLACK  
CHROME
- **II**  
PALE  
GOLD
- **IS**  
BRUSHED  
PALE GOLD
- **RS**  
ROSE  
GOLD
- **SR**  
BRUSHED  
ROSE GOLD
- **OO**  
GOLD
- **OS**  
BRUSHED  
GOLD
- **RR**  
ANTIQUÉ  
COPPER
- **BB**  
ANTIQUÉ  
BRONZE
- **MB**  
MODERN  
BRONZE



Dimensions



Cartridge

**Ø25 ceramic cartridge**

Threaded fitting

**Inox hoses G3\8" female 400 mms long**

Aerator

**M16.5x1**

Flow Rate (+/-10%)

1 BAR	2 BAR	3 BAR
3 l/m	3.8 l/m	3.8 l/m

Production

**Main body is a single casted pieces**

Material

**BRASS**  
According to CuZn42 (CW510L)  
Max Lead content: 0.2%

IB RUBINETTERIE s.p.a  
via dei Pianotti 3/5  
25068 Sarezzo (BS) - Italy -

T. +39 030 802101  
F. +39 030 803097  
info@weareib.it

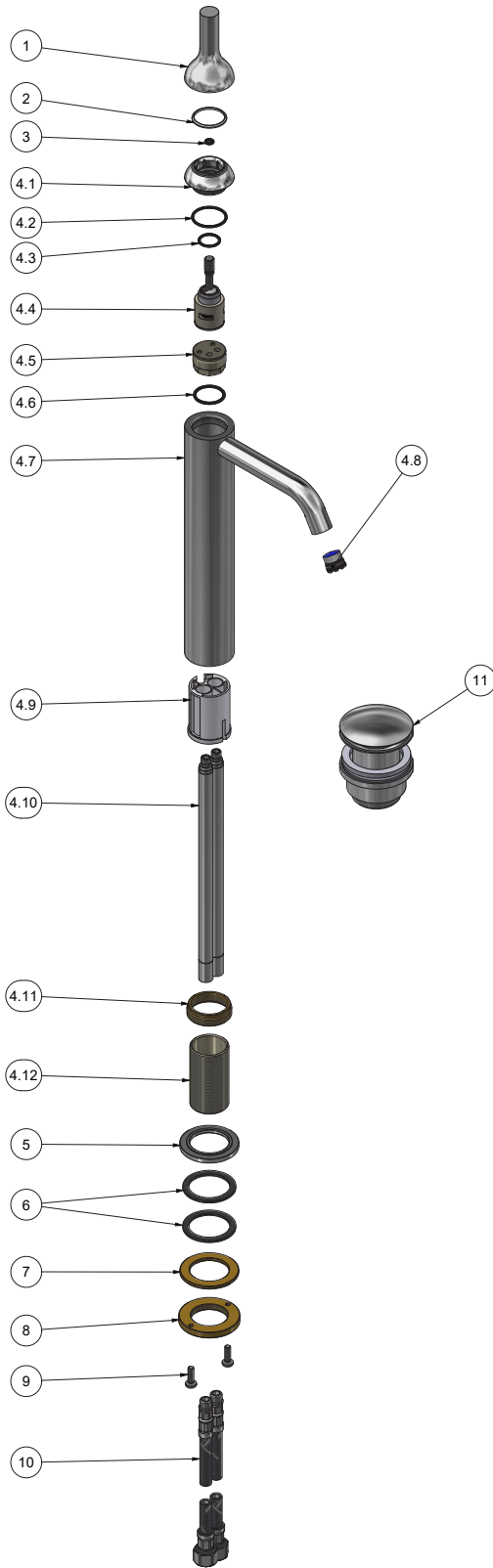
P.IVA 01785230986  
capitale sociale  
€420.000,00 i.v.

www.weareib.it





WE ARE IB



Parts list			
ITEMS	CODE	DESCRIPTION	FIN QTA
1	AQ0010957	Lever Ø42 Ø16 H70 M8	F 1
2	AQ0010962	Antifriction ring Ø29.5 Ø26.2 H1.9	- 1
3	AQ0001410	OR 4.2x1.9 NBR 70 SH	- 1
4	CPBI202CC-22	Preassembled basin mixer tall	F 1
4.1	AC0010782	Cartridge fixing nut M30x1 H21.45 Ø42	F 1
4.2	AQ0010564	OR 26.7x1.78 NBR 70 SH	- 1
4.3	AQ0004600	OR 15.6x1.78 NBR 70 SH	- 1
4.4	AQ0010963	Ceramic cartridge Ø25 open	- 1
4.5	AN0010810	Connection piece Ø27X18	N 1
4.6	AQ0010972	OR 23x2 NBR 70 SH	- 1
4.7	AQ0016775-T1	Tall body Ø42 H235 L135	F 1
4.8	AQ0014147	Perlator PCA caché laminar 1 GPM (44.3358.010)	- 1
4.9	AQ0009711	Separator for pipes	- 1
4.10	AN0010899	Extension pipe M8x1 M10x1 H230	N 2
4.11	AS0010786	Reduction nut M38x1.5 M33x1.5 H11	G 1
4.12	AN0009680	Threaded stem M33x1.5 H61	N 1
5	AC0010787	Base Ø5 H5	F 1
6	AQ0008013	Rubber packing 45x35x2	- 2
7	AS0010659	Brass ring Ø50x35.5x3	G 1
8	AS0010658	Ring nut with screwed holes Ø52 M33x1.5 H6	G 1
9	AQ0010358	Inox screw M5x16 ISO 7045	- 2
10	AQ0000932	Inox hose M10x1 G3/8" F L400	- 2
11	AQ0009837	Simple rapid waste 1"1/4	F 1



WE ARE IB

### **WARRANTY**

All IB Rubinetterie SpA products are warranted for 10 years from the date of purchase, for the following cases:

- Defects of casting, porosity and chrome plating.
- Operating defects caused by incorrect fabrication.

The warranty provides for repair or replacement of products with fabrication defects recognized by our technical office. There is no other type of compensation anche the merchandise must be returned FOB our warehouse. The warranty only cover surface defects (scartches, dings, etc.) on fitting that have not been installed and used, returned in its original packaging with all components. O-ring, gasket seals and components subject to wear proportional to use are warranted for 2 years.

#### **The warranty is void in the following cases:**

Error installing and putting the product into service.

Deterioration of finished surfaces due to use of cleaning products containing acids or abrasive substances.

Deterioration of surface with finishes other than chrome plating. Their durability is, in fact, dependent on the user's care and gentleness of use.

Deterioration of the fitting due incorrect installation.

Improper repairs and maintenance performed without the company's prior authorization.

The warranty from IB Rubinetterie SpA is not renewable.

#### **Cleaning**

We recommended cleaning the finish surfaces with water and soap, using a soft cloth.

Do not use detergents that cointain hydrochloric acid or abrasive substances.