



WE ARE IB

Collection

BELMONDO

Article

BL001

Description

Wall soap-holder

Box Dimensions

150 x 190 x 98 mm

Weight

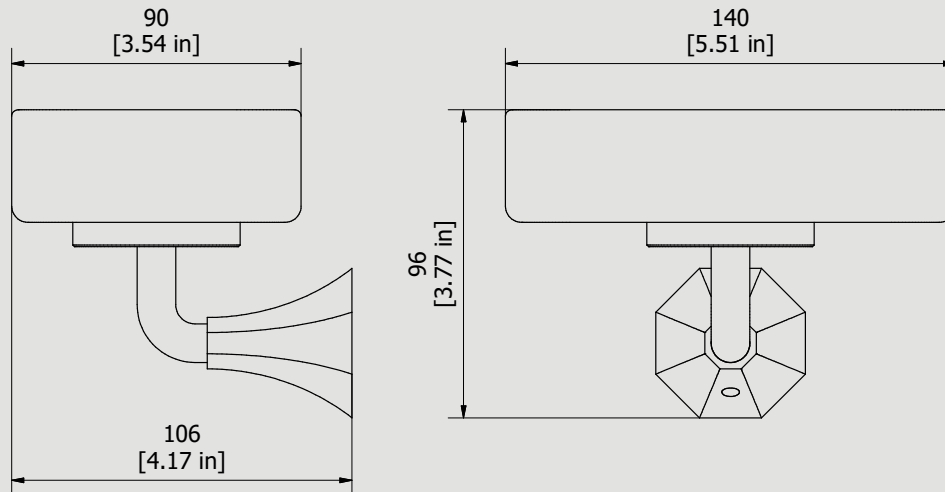
0.6 kg

Finishes

- **CC**
CHROME
- **CF**
BLACK CHROME
- **OO**
GOLD
- **MB**
MODERN BRONZE
- **SS**
BRUSHED NICKEL
- **CS**
BRUSHED BLACK CHROME
- **BO**
MATT WHITE
- **ONP**
MATT BLACK
- **IS**
BRUSHED PALE GOLD
- **OS**
BRUSHED GOLD
- **II**
PALE GOLD
- **RR**
ANTIQUÉ COPPER
- **RS**
ROSE GOLD
- **ON**
NATURAL BRASS
- **SR**
BRUSHED ROSE GOLD
- **PL**
PLATINUM



Dimensions



Cartridge

Hoses

Aerator

Flow Rate (+/-10%)

1 BAR

2 BAR

3 BAR

Production

Main body is a machined from a solid pieces

Material

BRASS
According to CuZn39Pb3 (CW614N)
Max Lead content: 2.5%

IB RUBINETTERIE s.p.a
via dei Pianotti 3/5
25068 Sarezzo (BS) - Italy -

T. +39 030 802101
F. +39 030 803097
info@weareib.it

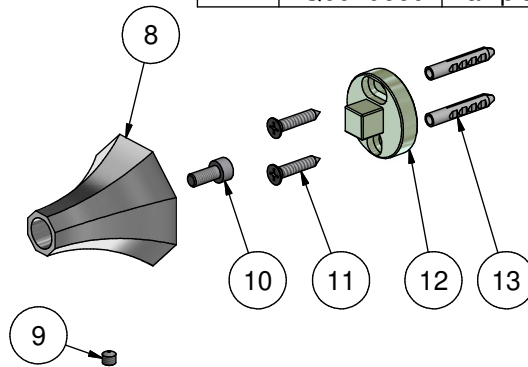
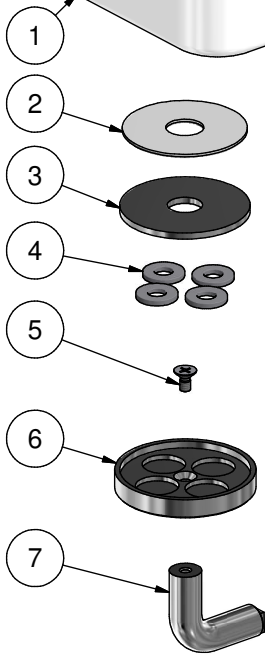
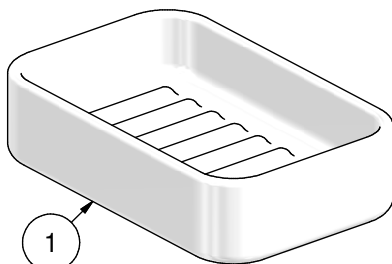
P.IVA 01785230986
capitale sociale
€420.000,00 i.v.

www.weareib.it





WE ARE IB



Parts list			
ELEM	CODE	DESCRIPTION	QT
1	AQ0010633	Soqap holder 90x140 H35	1
2	AQ0010956	Rubber packing double-sided tape Ø46xØ14x1	1
3	AQ0010801	Washer Ø48x13x2.5	1
4	AQ0010636	Magnet Ø15.5xØ7x2	4
5	AQ0010280	Inox screw M4x8.5	1
6	AQ0010679	Magnet holder Ø52	1
7	AC0010609	Rod Ø12 90°	1
8	AQ0010640	Wall attachment 46.5 H45	1
9	AQ0001100	Grubscrew M5x5	1
10	AQ0010630	Inox screw M6x12	1
11	AQ0010626	Inox screw 4.5x50	2
12	AC0011886	Fixing piece Ø32.7 H17.5	1
13	AQ0010660	Rawplug Ø8	2



WE ARE IB

WARRANTY

All IB Rubinetterie SpA products are warranted for 10 years from the date of purchase, for the following cases:

- Defects of casting, porosity and chrome plating.
- Operating defects caused by incorrect fabrication.

The warranty provides for repair or replacement of products with fabrication defects recognized by our technical office. There is no other type of compensation and the merchandise must be returned FOB our warehouse. The warranty only covers surface defects (scratches, dings, etc.) on fittings that have not been installed and used, returned in its original packaging with all components. O-ring, gasket seals and components subject to wear proportional to use are warranted for 2 years.

The warranty is void in the following cases:

Error installing and putting the product into service.

Deterioration of finished surfaces due to use of cleaning products containing acids or abrasive substances.

Deterioration of surface with finishes other than chrome plating. Their durability is, in fact, dependent on the user's care and gentleness of use.

Deterioration of the fitting due to incorrect installation.

Improper repairs and maintenance performed without the company's prior authorization.

The warranty from IB Rubinetterie SpA is not renewable.

Cleaning

We recommend cleaning the finish surfaces with water and soap, using a soft cloth.

Do not use detergents that contain hydrochloric acid or abrasive substances.