

Collection

BELMONDO

Article

BL210

Description

Ceiling spout with wall mixer.

Built-in body to be purchased separately INC300

Box Dimensions

150 x 190 x 98 mm
1700 x Ø70 mm

Weight

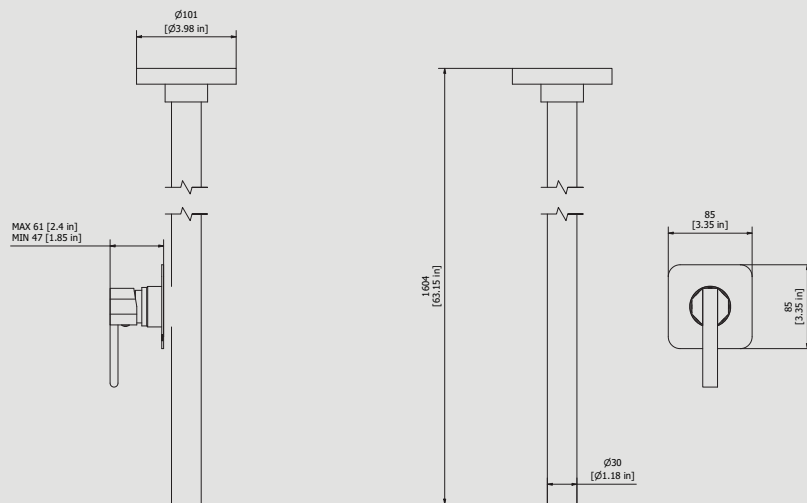
4.5 kg

Finishes

- **CC**
CHROME
- **CF**
BLACK CHROME
- **OO**
GOLD
- **BB**
ANTIQUE BRONZE
- **SS**
BRUSHED NICKEL
- **CS**
BRUSHED BLACK CHROME
- **BO**
MATT WHITE
- **ONP**
MATT BLACK
- **IS**
BRUSHED PALE GOLD
- **OS**
BRUSHED GOLD
- **II**
PALE GOLD
- **RR**
ANTIQUE COPPER
- **RS**
ROSE GOLD
- **ON**
NATURAL BRASS
- **SR**
BRUSHED ROSE GOLD
- **PL**
PLATINUM
- **MB**
MODERN BRONZE



Dimensions



Ceramic cartridge

Ø35 ceramic cartridge

Threaded fitting

G1/2" female

Aerator

M24x1

Flow Rate (+/-10%)

1 BAR
4.3 l/min

2 BAR
5.2 l/min

3 BAR
6.9 l/min

Production

Main body is a single hot stamped pieces

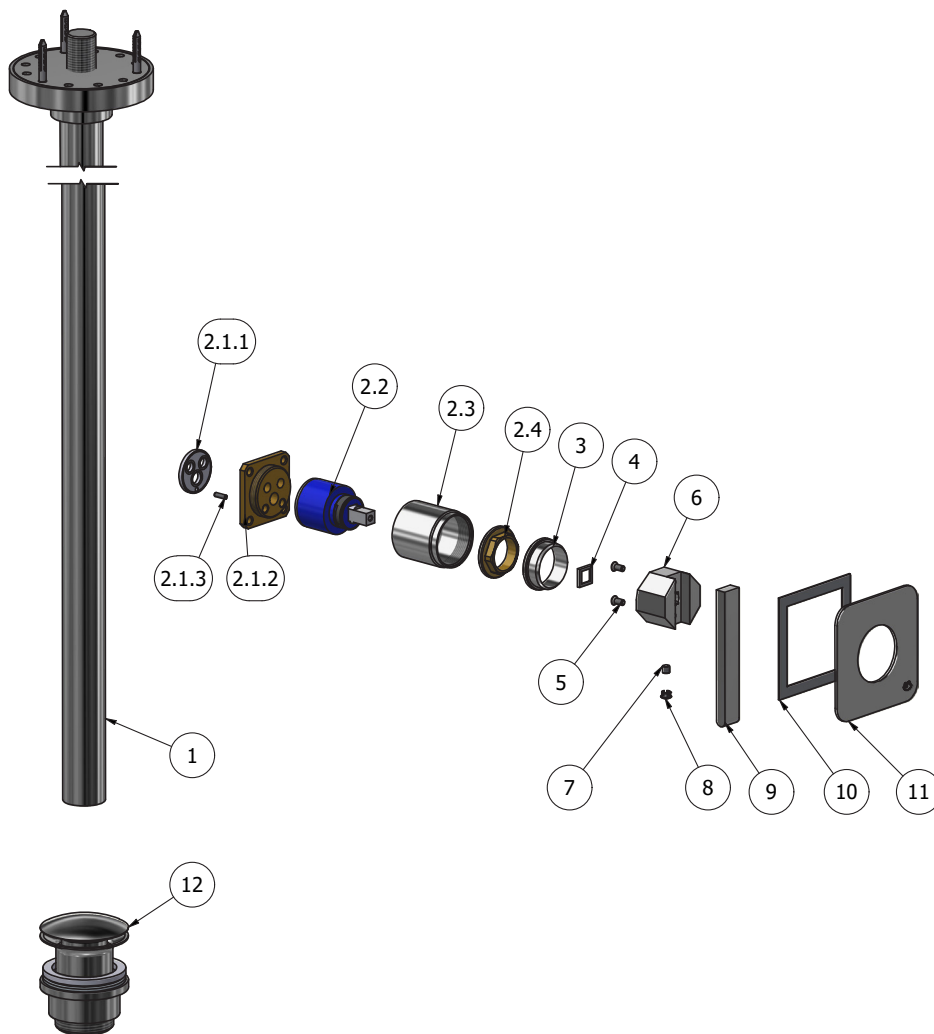
Material

BRASS
According to CuZn42 (CW510L)
Max Lead content: 0.2%



IB RUBINETTI

Parts list				
ITEMS	CODE	DESCRIPTION	FIN	QTÀ
1	AQ0014252	Ceiling wash basin mixer	F	1
2	CPIN206CC-69	Mixer 47x47 recessed	-	1
2.1	CP13040XXN_1	Inserto 47x47	-	1
2.1.1	AQ0015684	Gasket Ø31 H3.5 Ø7 Ø7.5	-	1
2.1.2	AS0013040	Insert 47x47 H11 M37x1.5	G	1
2.1.3	AQ0015357	Grubscrew M3x10 flat point	-	1
2.2	AQ0004095	Ceramic cartridge Ø35 9x9 (K35A)	-	1
2.3	AC0011079	Seat-ring for cartridge Ø41 Ø39 M37x1,5 H40,7	F	1
2.4	AQ0001040	Cartridge ring nut M37x1.5 H9	G	1
3	AC0011513	Cover nut M37x1.5 Ø33 H12.5	F	1
4	AQ0013035	Square spacer 13,5x13,5x2	G	1
5	AQ0010280	Inox screw M4X8,5	-	2
6	AC0011467	Handle H27 octagonal 37	F	1
7	AQ0001100	Grubscrew M5x5 flat point	-	1
8	AQ0006650	Plug cover Ø7	F	1
9	AC0011468	Rectangular lever 15x8 H100	F	1
10	AQ0015829	Rubber packing double-sided tape 75x75x8x1	-	1
11	AC0013100-TI	Plate 85x85x2	F	1
12	AQ0009837	Simple rapid waste 1"1/4	F	1





WARRANTY

All IB Rubinetterie SpA products are warranted for 10 years from the date of purchase, for the following cases:

- Defects of casting, porosity and chrome plating.
- Operating defects caused by incorrect fabrication.

The warranty provides for repair or replacement of products with fabrication defects recognized by our technical office. There is no other type of compensation anche the merchandise must be returned FOB our warehouse. The warranty only cover surface defects (scartches, dings, etc.) on fitting that have not been installed and used, returned in its original packaging with all components. O-ring, gasket seals and components subject to wear proportional to use are warranted for 2 years.

The warranty is void in the following cases:

Error installing and putting the product into service.

Deterioration of finished surfaces due to use of cleaning products containing acids or abrasive substances.

Deterioration of surface with finishes other than chrome plating. Their durability is, in fact, dependent on the user's care and gentleness of use.

Deterioration of the fitting due incorrect installation.

Improper repairs and maintenance performed without the company's prior authorization.

The warranty from IB Rubinetterie SpA is not renewable.

Cleaning

We recommended cleaning the finish surfaces with water and soap, using a soft cloth.

Do not use detergents that cointain hydrochloric acid or abrasive substances.