

Collection

## POWA

Article

### EL007

Description

**Round electronic mixer complete with stabilizer power supply for mains.**

Box Dimensions

240x215x110 mm

Weight

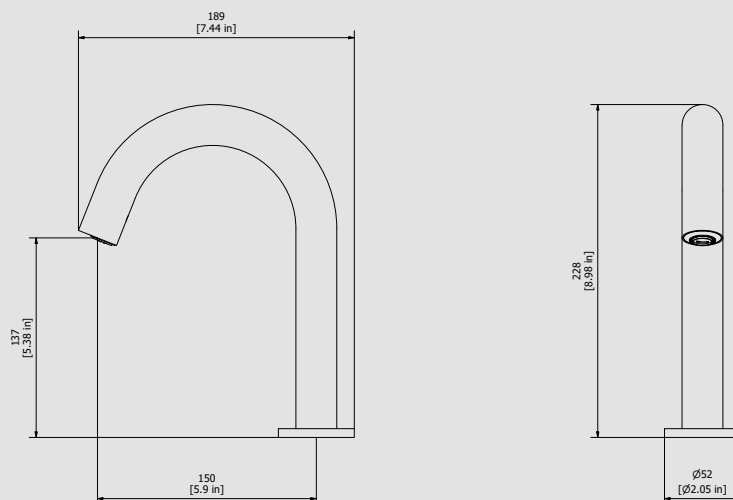
2.5 kg

Finishes

- **CC**  
CHROME
- **PL**  
PLATINUM
- **SS**  
BRUSHED  
NICKEL
- **ON**  
NATURAL  
BRASS
- **BO**  
MATT  
WHITE
- **NP**  
MATT  
BLACK
- **CF**  
BLACK  
CHROME
- **CS**  
BRUSHED  
BLACK  
CHROME
- **II**  
PALE  
GOLD
- **IS**  
BRUSHED  
PALE GOLD
- **RS**  
ROSE  
GOLD
- **SR**  
BRUSHED  
ROSE GOLD
- **OO**  
GOLD
- **OS**  
BRUSHED  
GOLD
- **RR**  
ANTIQUÉ  
COPPER
- **MB**  
MODERN  
BRONZE



Dimensions



Cartridge

-

Threaded fitting

**Tube flex**

Aerator

**M16.5x1**

Flow Rate (+/-10%)

**1 BAR**  
4.5 l/m

**2 BAR**  
6 l/m

**3 BAR**  
6 l/m

Production

**Main body is a machined from a solid pieces**

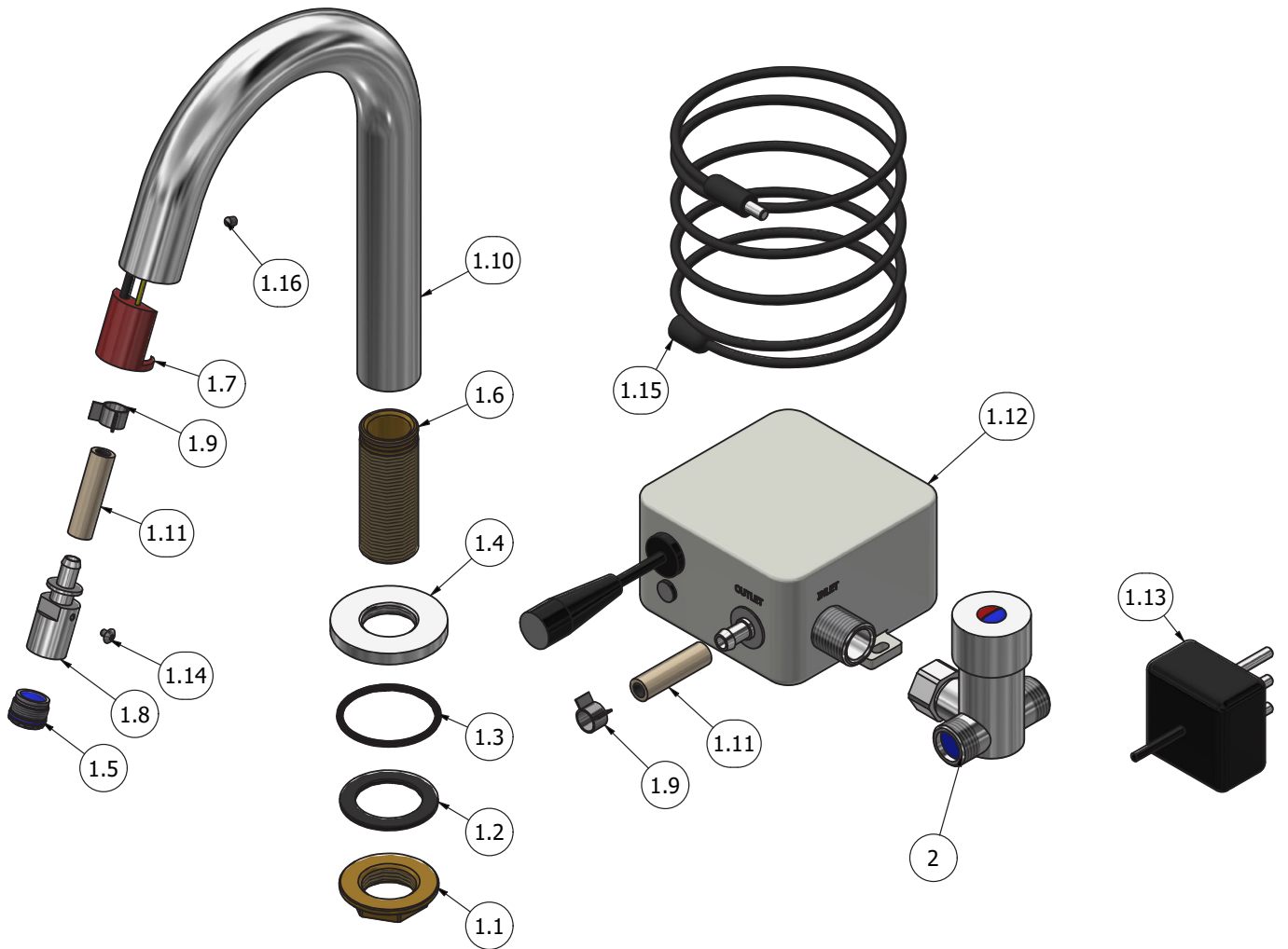
Material

**BRASS**  
According to CuZn42 (CW510L)  
Max Lead content: 0.2%



WE ARE IB

Parts list				
ITEMS	CODE	DESCRIPTION	FIN	QTÀ
1	AQ0017922	Round sensor-controlled basin mixer	F	1
1.1	AQ0017922_1	Nut G3/4" Es.31 H10	G	1
1.2	AQ0017922_2	Gasket Ø43.5 Ø30 H2	-	1
1.3	AQ0017922_3	OR 42.5x2.62 NBR 70 SH	-	1
1.4	AQ0017922_4	Base Ø52 H6 G3/4"	F	1
1.5	AQ0017922_5	Cachè perlator M16,5 x 1 coin slot	-	1
1.6	AQ0017922_6	G3/4"M M26x1 H67 tail	G	1
1.7	AQ0017922_7	Sensor IRed&Traf (W UK Plug)	-	1
1.8	AQ0017922_8	M16.5x1 aerator holder insert	-	1
1.9	AQ0017922_9	Clamp Ø10 H8	-	2
1.10	AQ0017922_10	Round spout Ø28	F	1
1.11	AQ0017922_11	Flex Ø11 Ø7	-	1
1.12	AQ0017922_12	Inlet/outlet sensor box	-	1
1.13	AQ0017922_13	Sink power cable	-	1
1.14	AQ0017922_14	Button head screw M3x4	-	1
1.15	AQ0017922_15	Sensor power cable	-	1
1.16	AQ0017922_16	Grubscrew M4x5 cone point	-	1
2	AQ0018152	Temperature adjustment tap	-	1





WE ARE IB

### **WARRANTY**

All IB Rubinetterie SpA products are warranted for 10 years from the date of purchase, for the following cases:

- Defects of casting, porosity and chrome plating.
- Operating defects caused by incorrect fabrication.

The warranty provides for repair or replacement of products with fabrication defects recognized by our technical office. There is no other type of compensation anche the merchandise must be returned FOB our warehouse. The warranty only cover surface defects (scartches, dings, etc.) on fitting that have not been installed and used, returned in its original packaging with all components. O-ring, gasket seals and components subject to wear proportional to use are warranted for 2 years.

#### **The warranty is void in the following cases:**

Error installing and putting the product into service.

Deterioration of finisched surfaces due to use of cleaning products containing acids or abrasive substances.

Deterioration of surface with finishes other than chrome plating. Their durability is, in fact, dependent on the user's care and gentleness of use.

Deterioration of the fitting due incorrect installation.

Improper repairs and maintenance performed without the company's prior authorization.

The warranty from IB Rubinetterie SpA is not renewable.

#### **Cleaning**

We recommended cleaning the finish surfaces with water and soap, using a soft cloth.

Do not use detergents that cointain hydrochloric acid or abrasive substances.