



WE ARE IB

Collection

ELIO

Article

E0022

Description

Duplex

Box Dimensions

220x120x40 mm

Weight

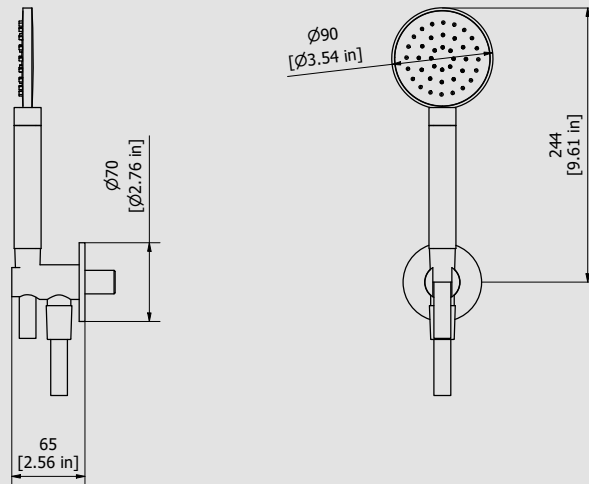
0.6 kg

Finishes

- **CC** CHROME
- **PL** PLATINUM
- **SS** BRUSHED NICKEL
- **ON** NATURAL BRASS
- **BO** MATT WHITE
- **NP** MATT BLACK
- **CF** BLACK CHROME
- **CS** BRUSHED BLACK CHROME
- **II** PALE GOLD
- **IS** BRUSHED PALE GOLD
- **RS** ROSE GOLD
- **SR** BRUSHED ROSE GOLD
- **OO** GOLD
- **OS** BRUSHED GOLD
- **RR** ANTIQUE COPPER
- **MB** MODERN BRONZE



Dimensions



Cartridge

Treaded fitting

treaded fitting G1/2" male

Aerator

Flow Rate (+/-10%)

1 BAR	2 BAR	3 BAR
7.2 l/m	10.5 l/m	13.2 l/m

Production

Main body is a machined from a solid pieces

Material

BRASS
According to CuZn39Pb3 (CW614N)
Max Lead content: 2.5%

IB RUBINETTERIE s.p.a
via dei Pianotti 3/5
25068 Sarezzo (BS) - Italy -

T. +39 030 802101
F. +39 030 803097
info@weareib.it

P.IVA 01785230986
capitale sociale
€420.000,00 i.v.

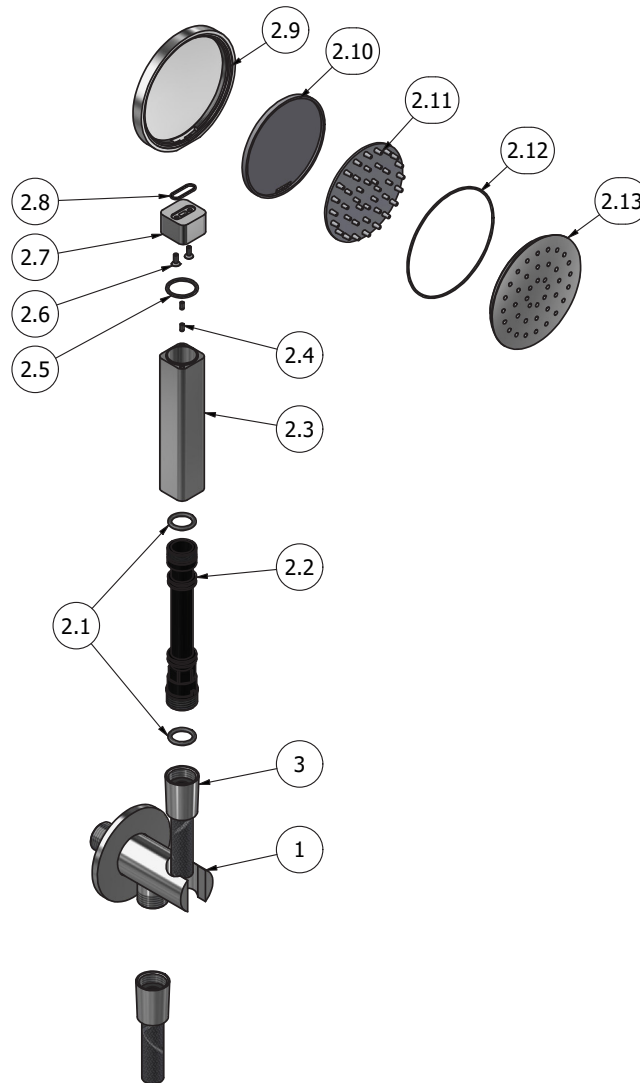
www.weareib.it





WE ARE IB

Parts list				
ITEMS	CODE	DESCRIPTION	FIN	QTA
1	AQ0018102	Onair round support	F	1
2	CPEF090CCXN1	Square hand shower 24x24 H214	-	1
2.1	AQ0016231_8	OR 13.95x2.62 NBR 70 SH	-	2
2.2	AQ0016231_9	Insert for handshower G1/2"	-	1
2.3	AC0016812	Grip 24x24 H.110.5	F	1
2.4	AQ0012230	Stainless stell pin Ø2.5x6	-	2
2.5	AQ0016231_7	OR 18x2 NBR 70 SH	-	1
2.6	AQ0016231_6	Screw inox M3x8 TSP DIN7991	-	2
2.7	AC0016811	Connection 24x24 M20X1 H16	F	1
2.8	AQ0016231_4	OR12x1.5 NBR 70 SH	-	1
2.9	AQ0016231_3	Handshower head Ø90	F	1
2.10	AQ0016231_10	Diffuser press cover	-	1
2.11	AQ0016231_2	Shower diffuser	-	1
2.12	AQ0016231_11	OR 80x1.3 NBR 70 SH	-	1
2.13	AQ0016231_1	Diffuser holder flange	F	1
3	AQ0018056	Flex snapon G1/2" F L150cm Silver	F	2





WARRANTY

All IB Rubinetterie SpA products are warranted for 10 years from the date of purchase, for the following cases:

- Defects of casting, porosity and chrome plating.
- Operating defects caused by incorrect fabrication.

The warranty provides for repair or replacement of products with fabrication defects recognized by our technical office. There is no other type of compensation anche the merchandise must be returned FOB our warehouse. The warranty only cover surface defects (scatches, dings, etc.) on fitting that have not been installed and used, returned in its original packaging with all components. O-ring, gasket seals and components subject to wear proportional to use are warranted for 2 years.

The warranty is void in the following cases:

Error installing and putting the product into service.

Deterioration of finished surfaces due to use of cleaning products containing acids or abrasive substances. Deterioration of surface with finishes other than chrome plating. Their durability is, in fact, dependent on the user's care and gentleness of use.

Deterioration of the fitting due incorrect installation.

Improper repairs and maintenance performed without the company's prior authorization.

The warranty from IB Rubinetterie SpA is not renewable.

Cleaning

We recommended cleaning the finish surfaces with water and soap, using a soft cloth.

Do not use detergents that contain hydrochloric acid or abrasive substances.

