



WE ARE IB

Collection

**ELIO**

Article

**E0392\_2**

Description

**Three holes washbasin**

Box Dimensions

**455x310x75 mm**

Weight

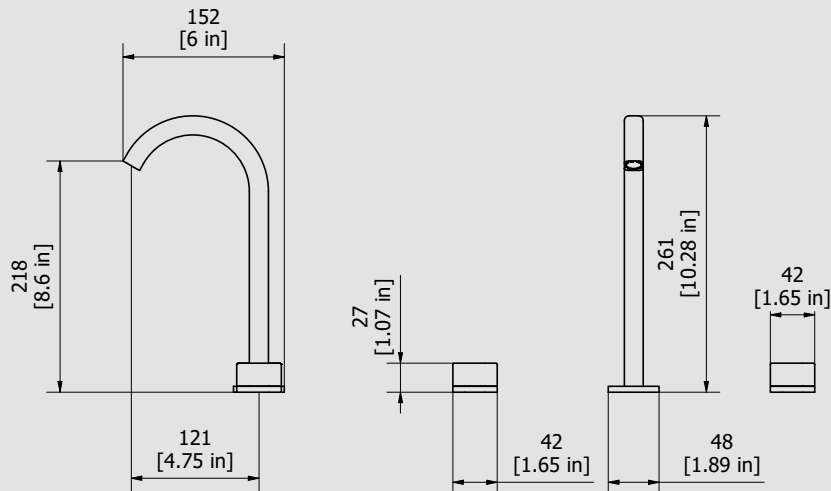
**3.6 kg**

Finishes

- **CC** CHROME
- **PL** PLATINUM
- **SS** BRUSHED NICKEL
- **ON** NATURAL BRASS
- **BO** MATT WHITE
- **NP** MATT BLACK
- **CF** BLACK CHROME
- **CS** BRUSHED BLACK CHROME
- **II** PALE GOLD
- **IS** BRUSHED PALE GOLD
- **RS** ROSE GOLD
- **SR** BRUSHED ROSE GOLD
- **OO** GOLD
- **OS** BRUSHED GOLD
- **RR** ANTIQUE COPPER
- **MB** MODERN BRONZE



Dimensions



Cartridge

**G3/8" ceramic headwork**

Threaded fitting

**G1/2" female 400mms**

Aerator

**M16.5x1**

Flow Rate (+/-10%)

<b>1 BAR</b>	<b>2 BAR</b>	<b>3 BAR</b>
<b>3 l\m</b>	<b>3.8 l\m</b>	<b>3.8 l\m</b>

Production

**Main body is a machined from a solid pieces**

Material

**BRASS**  
According to CuZn42 (CW510L)  
Max Lead content: 0.2%

IB RUBINETTERIE s.p.a  
via dei Pianotti 3/5  
25068 Sarezzo (BS) - Italy -

T. +39 030 802101  
F. +39 030 803097  
info@weareib.it

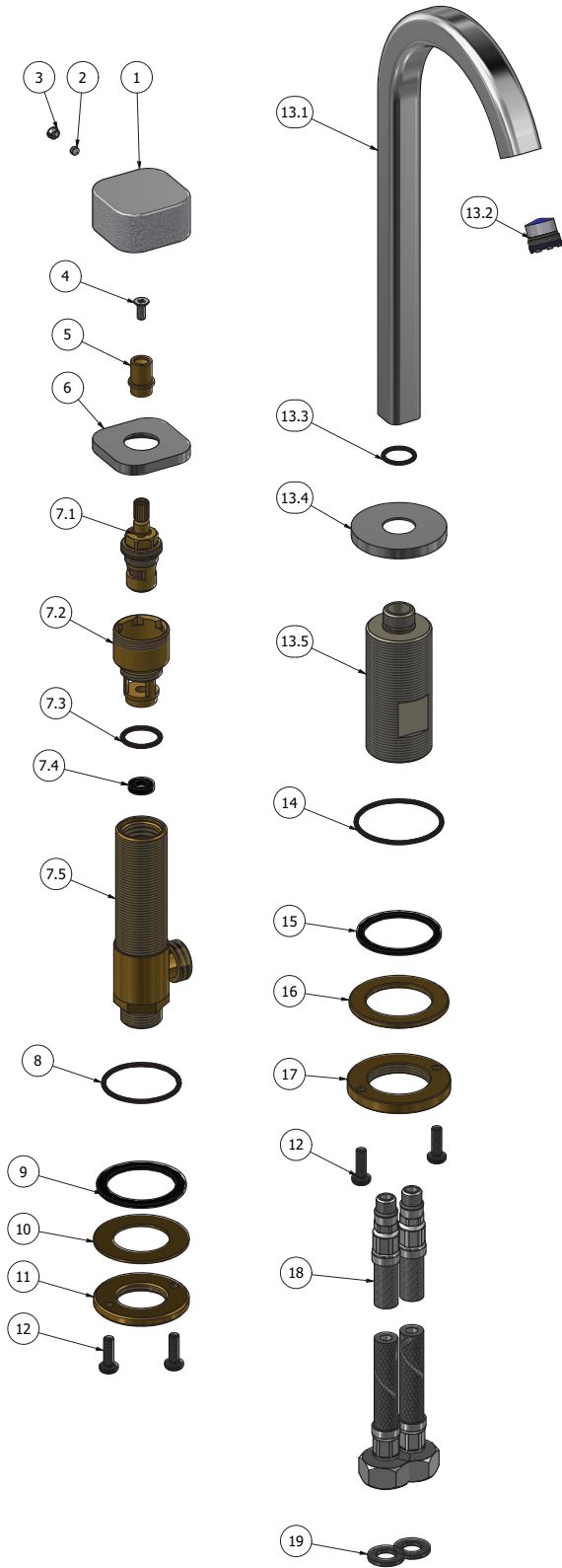
P.IVA 01785230986  
capitale sociale  
€420.000,00 i.v.

[www.weareib.it](http://www.weareib.it)

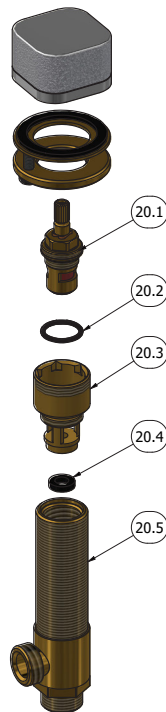




WE ARE IB



Parts list			
ELEM.	CODE	DESCRIPTION	QTA
1	AC0016802	Handle 42x42 H21.5 coral	2
2	AQ0001082	Grubscrew M4x4 cone point	2
3	AQ0012203	Plug	2
4	AQ0013743	Inox screw M4X10 DIN 965	2
5	AS0016805	Insert Ø10 Ø13 H18 8x20 F	2
6	AC0016800	Rosette 42X42 M28x1.5.F H5.5	2
7	CPEI392CCXN_2	Preassembled clamping nut 26x19 SX	1
7.1	AQ0010516	Ceramic headwork G3/8" SX	1
7.2	AS0016176	Adapter G "1 / 2M G" 3 / 8F	1
7.3	AQ0009841	OR 17x2 NBR 70 SH	1
7.4	AQ0009928	Rubber packing Ø13 Ø7 H3	1
7.5	AS0002250	Washbasin upright W26x19	1
8	AQ0010091	OR 36x2 NBR 70 SH	2
9	AQ0008013	Rubber packing 45x35x2	2
10	AQ0010302	Brass washer Ø50 x 26 x 1,5	2
11	AS0010698	Ring nut W26x19	2
12	AQ0010358	Inox screw M5x16 ISO 7045	6
13	CPEI392CC-1A	Preassembled spout	1
13.1	AC0016797	Low Mouth 18x18 R4.5 H255.5 int.208.3x120.6 30GR	1
13.2	AQ0014147	Perlator PCA cachè laminar 1 GPM (44.3358.010)	1
13.3	AQ0009818	OR 14x1.78 NBR 70 SH	1
13.4	AC0016178	Rosette Ø48 H5.5 M33x1.5F.	1
13.5	AN0012449	Threaded stem M33x1.5 M16x1 H80	1
14	AQ0013363	OR 41x2 NBR 70 SH	1
15	AQ0008012	Plane seal Ø42.5x35.5x2	1
16	AS0010659	Brass ring Ø50x35.5x3	1
17	AS0010658	Ring nut with screwed holes Ø52 M33x1.5 H6	1
18	AQ0015762	Inox hose DN8 M10x1 G1/2" L400 WRAS	2
19	AQ0003080	Rubber G1/2"	2
20	CPEI392CCXN_1	Preassembled clamping nut 26x19 DX	1
20.1	AQ0010515	Ceramic headwork G3/8" DX	1
20.2	AQ0009841	OR 17x2 NBR 70 SH	1
20.3	AS0016176	Adapter G "1 / 2M G" 3 / 8F	1
20.4	AQ0009928	Rubber packing Ø13 Ø7 H3	1
20.5	AS0002250	Washbasin upright W26x19	1





WE ARE IB

### **WARRANTY**

All IB Rubinetterie SpA products are warranted for 10 years from the date of purchase, for the following cases:

- Defects of casting, porosity and chrome plating.
- Operating defects caused by incorrect fabrication.

The warranty provides for repair or replacement of products with fabrication defects recognized by our technical office. There is no other type of compensation anche the merchandise must be returned FOB our warehouse. The warranty only cover surface defects (scartches, dings, etc.) on fitting that have not been installed and used, returned in its original packaging with all components. O-ring, gasket seals and components subject to wear proportional to use are warranted for 2 years.

#### **The warranty is void in the following cases:**

Error installing and putting the product into service.

Deterioration of finished surfaces due to use of cleaning products containing acids or abrasive substances.

Deterioration of surface with finishes other than chrome plating. Their durability is, in fact, dependent on the user's care and gentleness of use.

Deterioration of the fitting due incorrect installation.

Improper repairs and maintenance performed without the company's prior authorization.

The warranty from IB Rubinetterie SpA is not renewable.

#### **Cleaning**

We recommended cleaning the finish surfaces with water and soap, using a soft cloth.

Do not use detergents that cointain hydrochloric acid or abrasive substances.