



WE ARE IB

Collection

ELIO

Article

E0800_2

Description

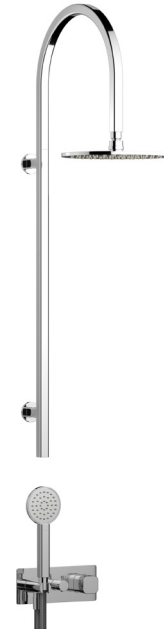
Shower column with shower kit.

Built-in body to be purchased separately INC313.

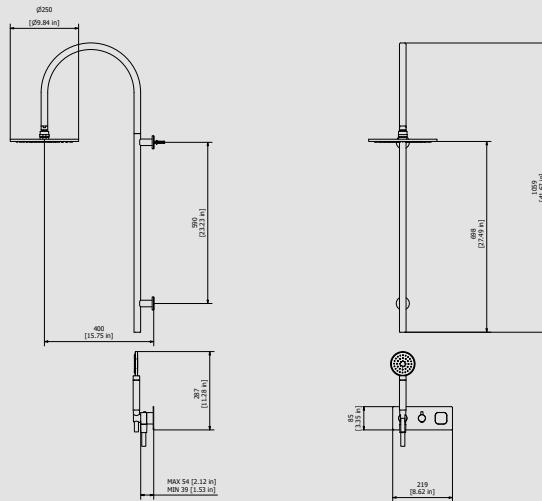
Box Dimensions	Weight
1200x520x120 mm	16.0 kg

Finishes

- **CC**
CHROME
- **PL**
PLATINUM
- **SS**
BRUSHED
NICKEL
- **ON**
NATURAL
BRASS
- **BO**
MATT
WHITE
- **NP**
MATT
BLACK
- **CF**
BLACK
CHROME
- **CS**
BRUSHED
BLACK
CHROME
- **II**
PALE
GOLD
- **IS**
BRUSHED
PALE GOLD
- **RS**
ROSE
GOLD
- **SR**
BRUSHED
ROSE GOLD
- **OO**
GOLD
- **OS**
BRUSHED
GOLD
- **RR**
ANTIQUÉ
COPPER
- **MB**
MODERN
BRONZE



Dimensions



Cartridge

Ø35 ceramic cartridge

Threaded fitting

Inox hose G1/2" female L150mms

Aerator

Flow Rate (+/-10%)

1 BAR	2 BAR	3 BAR
10.6 l/m	15.4 l/m	19.1 l/m

Production

Main body is a machined from a solid pieces

Material

BRASS
According to CuZn39Pb3 (CW614N)
Max Lead content: 2.5%

IB RUBINETTERIE s.p.a
via dei Pianotti 3/5
25068 Sarezzo (BS) - Italy -

T. +39 030 802101
F. +39 030 803097
info@weareib.it

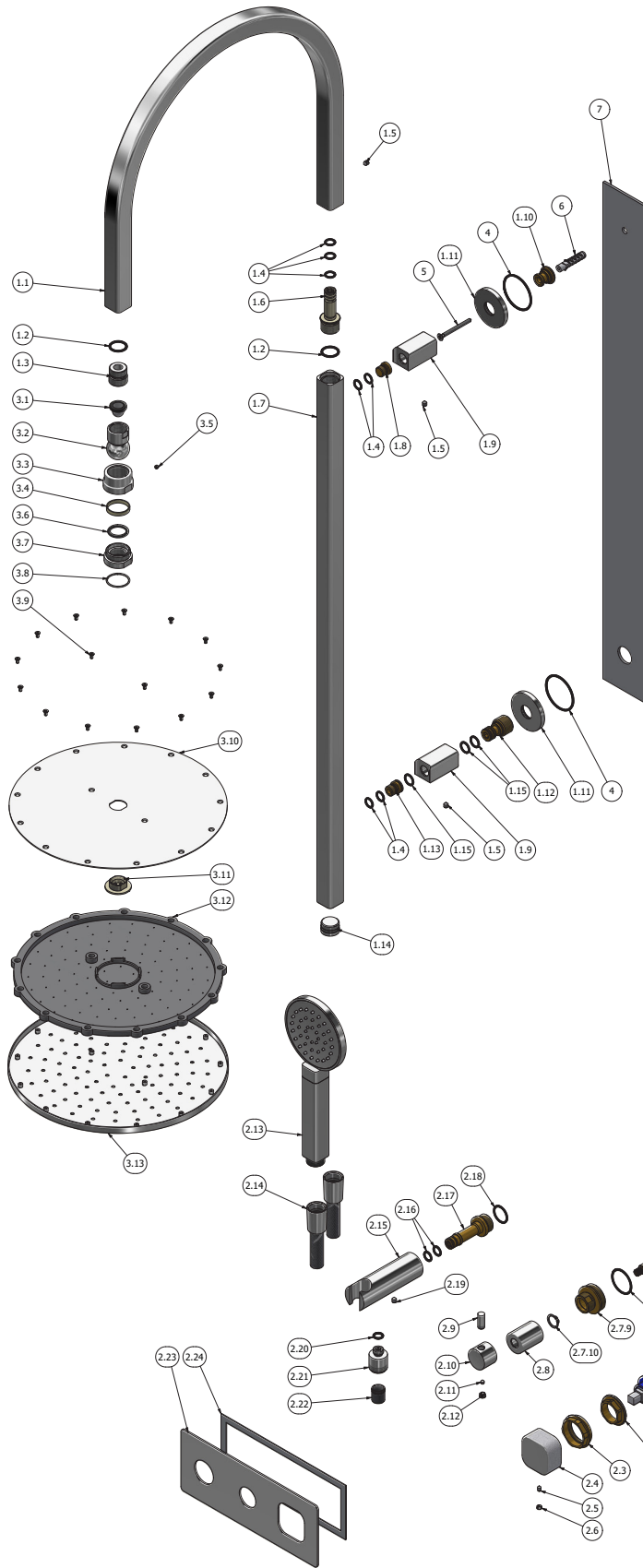
P.IVA 01785230986
capitale sociale
€420.000,00 i.v.

www.weareib.it





WE ARE IB



Parts list				
ITEMS	CODE	DESCRIPTION	FIN	QTA
1	CPEF801CCXN_1	Arm 24x24 int.745.5x400	F	1
1.1	AC0016868	Arm 24x24 R175 M20x1	F	1
1.2	AQ0009841	OR 17x2 NBR 70 SH	-	2
1.3	AC0011946	Connection G1/2" M20x1 H20 CH10	F	1
1.4	AQ0004180	OR 9.25x1.78 NBR 70 SH	-	7
1.5	AQ0014670	Grubscrew M5x6 cone point	-	3
1.6	AN0011577	Connection piece for spout-out G1/2" L55	N	1
1.7	AC0016867	Shaft 24x24 L727 G1/2" F	F	1
1.8	AS0016872	Plug Ø13.7 M12x1M H13	G	1
1.9	AC0016873	Support 24x24 H46	F	2
1.10	AS0016869	Insert G1/2M H18	G	1
1.11	AC0017286	Rosette Ø48 H5.5 G1/2" F	F	2
1.12	AS0016870	Insert G1/2M H34.5	G	1
1.13	AS0016871	Insert Ø13.7 M12x1M H16	G	1
1.14	AQ0014617	Plug G1/2" short	-	1
1.15	AQ0001350	OR 11.1x1.78 NBR 70 SH	-	3
2	CPE0313CCN23	Pre-assembled 2-way wall mixer	F	1
2.1	CP300CCXN_19	Pre assemble mixer 47x47 x recessed	-	1
2.1.1	CP13040XXN_1	Inserto 47x47	-	1
2.1.1.1	AQ0015684	Gasket Ø31 H3.5 Ø7 Ø7.5	-	1
2.1.1.2	AS0013040	Insert 47x47 H11 M37x1.5	G	1
2.1.1.3	AQ0013357	Grubscrew M3x10 flat point	-	1
2.1.2	AS0016810	Ring for recessed shower mixer	G	1
2.1.3	AQ0013271	Ceramic cartridge KRJ 35A 9x9	-	1
2.1.4	AS0016806	Cartridge ring nut	G	1
2.2	AC0016809	Square ring 42x42 H44.2	F	1
2.3	AS0016807	Ring Ø40 M30x1.5 F	G	1
2.4	AC0016808	Handle 42x42 H21.5 coral	F	1
2.5	AQ0010444	Grubscrew M4x6 cone point	-	1
2.6	AQ0012203	Plug	F	1
2.7	CPDEV2VCCXN_1	90 ° built-in 2-way diverter 48x48 z8x20	-	1
2.7.1	AQ0015686	Rubber Ø32 H4	-	1
2.7.2	AS0013247	Insert 47x47x32	G	1
2.7.3	AQ0012208	Inox screw M3x10	-	1
2.7.4	AQ0008026	OR 33.05x1.78 NBR 70 SH	-	1
2.7.5	AQ0017450	Cartridge dev.2 outputs 90°	-	1
2.7.6	AQ0004610	OR 12.42x1.78 NBR 70 SH	-	1
2.7.7	AS0013048	Rod Ø17.9 H42.4	G	1
2.7.8	AQ0010597	OR 28.3x1.78 NBR 70 SH	-	1
2.7.9	AS0013050	Junction M32x1 M22x1 H23	G	1
2.7.10	AQ0015748	Seeger ring Ø14 H1	-	1
2.8	AC0013054	Ring Ø26 M22x1 F H33	F	1
2.9	AC0007092	Handle knob M8 H19	F	1
2.10	AC0011372	Diverter's knob Ø26 H20	F	1
2.11	AQ0001082	Grubscrew M4x4 cone point	-	1
2.12	AQ0006650	Plug cover Ø7	F	1
2.13	CPEF090CCXN1	Square hand shower 24x24 H214	-	1
2.14	AQ0018056	Flex snapon G1/2" F L150cm Silver	F	1
2.15	AC0013053	Hand shower's support Ø30 L94.8	F	1
2.16	AQ0004180	OR 9.25x1.78 NBR 70 SH	-	2
2.17	AS0018164	Bayonet coupling G1/2" M H62.5	G	1
2.18	AQ0004640	OR 18.7x1.78 NBR 70 SH	-	1
2.19	AQ0014670	Grubscrew M5x6 cone point	-	1
2.20	AQ0001340	OR 8.73x1.78 NBR 70 SH	-	1
2.21	AC0013052	Reduction G1/2" M M12x1 M H20.5	F	1
2.22	AQ0013247	Flow reduction-CV Ø15 4L	-	1
2.23	AC0016823-T1	Plate 218x85x2	F	1
2.24	AQ0014142	Rubber packing double-sided tape 200x75x8x1	-	1
3	AQ0010701	Shower head Ø250	F	1
3.1	AQ0010701_1	Gasket Ø19 th.3 with filter	-	1
3.2	AQ0010701_5	Sphere Ø26 G 1 / 2F	F	1
3.3	AQ0010701_2	Ring nut Ø34 H20	F	1
3.4	AQ0010701_4	Ring	-	1
3.5	AQ0010701_3	Grub screw inox M4x3 p.p.	-	1
3.6	AQ0010701_6	OR 18x3 NBR 70 SH	-	1
3.7	AQ0010701_7	Threaded insert Ø32 H15	F	1
3.8	AQ0010701_8	OR 24x1.5 NBR 70 SH	-	1
3.9	AQ0010701_9	Screw inox M3x6 TSP UNI 7991	F	15
3.10	AQ0010701_10	Plate Ø247.5 th.1	F	1
3.11	AQ0010701_11	Injector insert Ø30	N	1
3.12	AQ0010701_12	Diffuser	-	1
3.13	AQ0010701_13	Diffuser flange Ø250	F	1
4	AQ0013363	OR 41x2 NBR 70 SH	-	2
5	AQ0010626	Inox screw Ø4 L50	-	1
6	AQ0010660	Dowel fisher Ø5 L40	-	1
7	AS0017084	Template 690x70	-	1



WE ARE IB

WARRANTY

All IB Rubinetterie SpA products are warranted for 10 years from the date of purchase, for the following cases:

- Defects of casting, porosity and chrome plating.
- Operating defects caused by incorrect fabrication.

The warranty provides for repair or replacement of products with fabrication defects recognized by our technical office. There is no other type of compensation anche the merchandise must be returned FOB our warehouse. The warranty only cover surface defects (scatches, dings, etc.) on fitting that have not been installed and used, returned in its original packaging with all components. O-ring, gasket seals and components subject to wear proportional to use are warranted for 2 years.

The warranty is void in the following cases:

Error installing and putting the product into service.

Deterioration of finished surfaces due to use of cleaning products containing acids or abrasive substances. Deterioration of surface with finishes other than chrome plating. Their durability is, in fact, dependent on the user's care and gentleness of use.

Deterioration of the fitting due incorrect installation.

Improper repairs and maintenance performed without the company's prior authorization.

The warranty from IB Rubinetterie SpA is not renewable.

Cleaning

We recommended cleaning the finish surfaces with water and soap, using a soft cloth.

Do not use detergents that contain hydrochloric acid or abrasive substances.