

Collection

**AQUA**

Article

**UA222B1**

Description

**Plate and handles trimkit**

Box Dimensions

**420x180x90 mm**

Weight

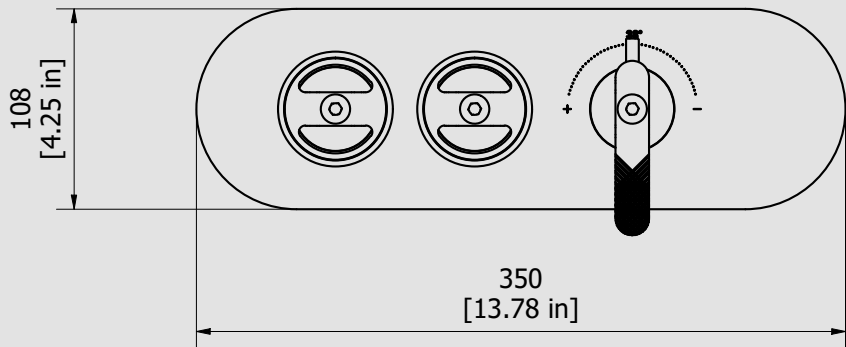
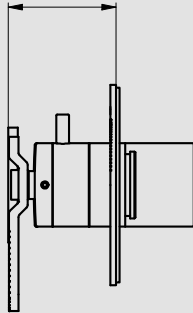
**3.9 kg**

Finishes

- **CC**  
CHROME
- **PL**  
PLATINUM
- **SS**  
BRUSHED  
NICKEL
- **ON**  
NATURAL  
BRASS
- **BO**  
MATT  
WHITE
- **NP**  
MATT  
BLACK
- **CF**  
BLACK  
CHROME
- **CS**  
BRUSHED  
BLACK  
CHROME
- **II**  
PALE  
GOLD
- **IS**  
BRUSHED  
PALE GOLD
- **RS**  
ROSE  
GOLD
- **SR**  
BRUSHED  
ROSE GOLD
- **OO**  
GOLD
- **OS**  
BRUSHED  
GOLD
- **RR**  
ANTIQUÉ  
COPPER
- **MB**  
MODERN  
BRONZE

Dimensions

MAX 58 [2.28 in]  
MIN 48 [1.88 in]



Cartridge

Threaded fitting

Aerator

Flow Rate (+/-10%)

**1 BAR**  
- l/m

**2 BAR**  
- l/m

**3 BAR**  
- l/m

Production

**Main body is a machined from a solid pieces**

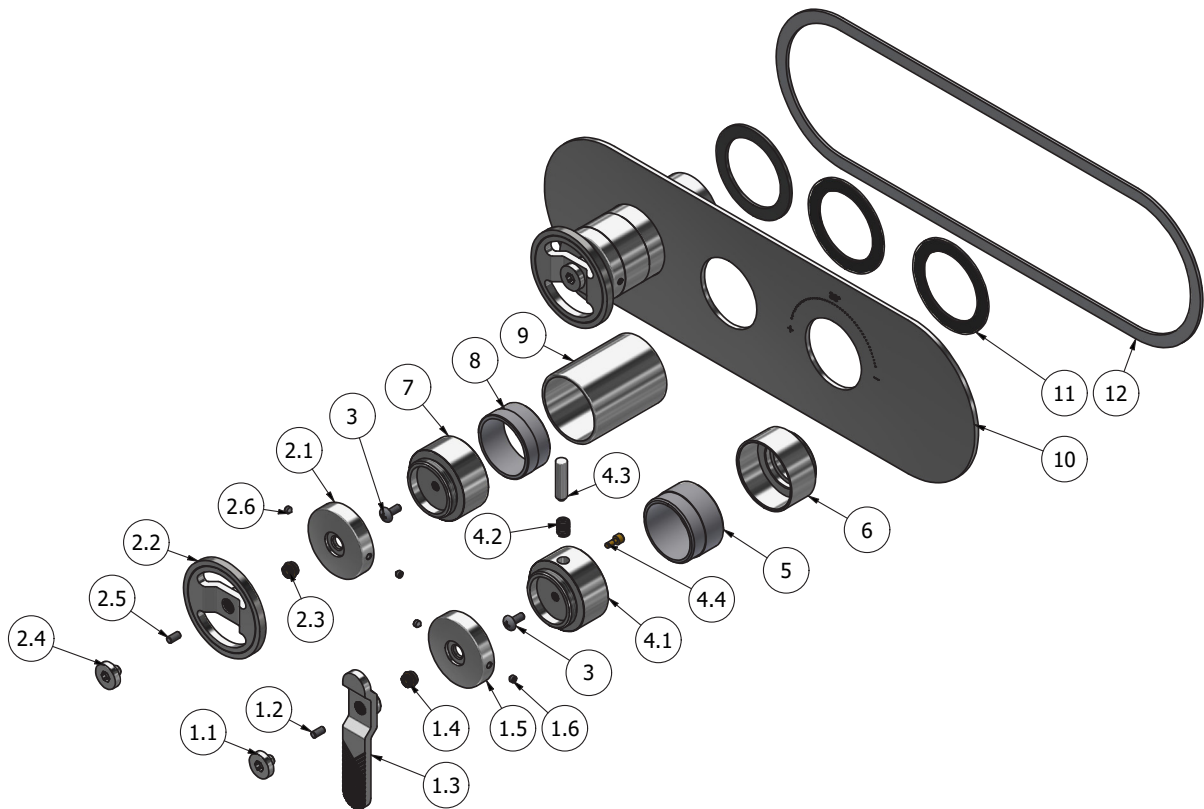
Material

**BRASS**  
According to CuZn39Pb3 (CW614N)  
Max Lead content: 2.5%



WE ARE IB

Parts list				
ITEMS	CODE	DESCRIPTION	FIN	QTÀ
1	CP2283CC-1	Preassembled bold handle	F	1
1.1	AC0015356	Screw Ø16 M4 H10	F	1
1.2	AQ0006921	Grubscrew M4x8 flat point	-	1
1.3	CC0002283	Handle 18 L94 H15 8x20	F	1
1.4	AS0012751	Broach for thermostatic handle	G	1
1.5	AC0010828	Handle Ø45 Ø15.7 M H9.6	F	1
1.6	AQ0001082	Grubscrew M4x4 cone point	-	2
2	CP2282CC-1	Preassembled bold handle	-	2
2.1	AC0010828	Handle Ø45 Ø15.7 M H9.6	F	1
2.2	CC0002282	Wheel Ø62 H15 8x20 knurled	F	1
2.3	AS0012751	Broach for thermostatic handle	G	1
2.4	AC0015356	Screw Ø16 M4 H10	F	1
2.5	AQ0006921	Grubscrew M4x8 flat point	-	1
2.6	AQ0001082	Grubscrew M4x4 cone point	-	2
3	AQ0002160	Screw M4x10	-	3
4	CP7043CCXN_1	Thermo regulaton handle body	-	1
4.1	AC0007043	Handle thermoregulation	F	1
4.2	AQ0008086	Spring for thermo plug Ø6 F0.5 L8.5	G	1
4.3	AC0011424	Plug for thermo handle H27	F	1
4.4	AS0007045	Pin for thermo lever button Ø6 H11.6	G	1
5	AS0013025	Centering bush Ø40.95 Ø41.95 H25	-	1
6	AC0011535	Support Ø45 H25.5 M36x1.5	F	1
7	AC0007042	Capacity handle body	F	2
8	AS0013024	Centering bush Ø40.95 Ø40.35 H18.5	-	2
9	AC0011537	Flange for regulation tap Ø45 H56.7	F	2
10	ACGC11984_O	Horizontal plate 360x108x3 3 for°C	F	1
11	AQ0013943	Rubber packing Ø60xØ45 H2	-	3
12	AQ0014223	Rubber packing double-sided tape 345x105x2	-	1





WE ARE IB

### **WARRANTY**

All IB Rubinetterie SpA products are warranted for 10 years from the date of purchase, for the following cases:

- Defects of casting, porosity and chrome plating.
- Operating defects caused by incorrect fabrication.

The warranty provides for repair or replacement of products with fabrication defects recognized by our technical office. There is no other type of compensation anche the merchandise must be returned FOB our warehouse. The warranty only cover surface defects (scartches, dings, etc.) on fitting that have not been installed and used, returned in its original packaging with all components. O-ring, gasket seals and components subject to wear proportional to use are warranted for 2 years.

#### **The warranty is void in the following cases:**

Error installing and putting the product into service.

Deterioration of finisched surfaces due to use of cleaning products containing acids or abrasive substances.

Deterioration of surface with finishes other than chrome plating. Their durability is, in fact, dependent on the user's care and gentleness of use.

Deterioration of the fitting due incorrect installation.

Improper repairs and maintenance performed without the company's prior authorization.

The warranty from IB Rubinetterie SpA is not renewable.

#### **Cleaning**

We recommended cleaning the finish surfaces with water and soap, using a soft cloth.

Do not use detergents that cointain hydrochloric acid or abrasive substances.