



WE ARE IB

Collection

AQUA

Article

EUA225HR

Description

Plate and handles trimkit

Box Dimensions

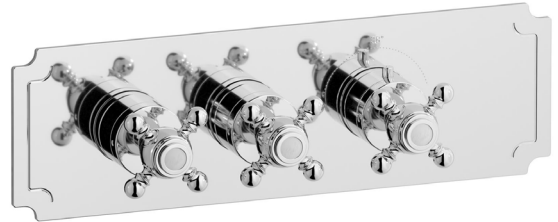
420x180x90 mm

Weight

3.9 kg

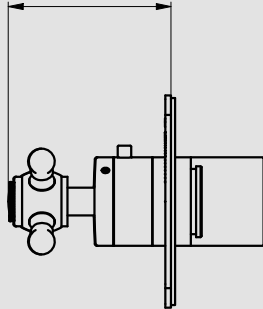
Finishes

- **CC**
CHROME
- **PL**
PLATINUM
- **SS**
BRUSHED
NICKEL
- **ON**
NATURAL
BRASS
- **BO**
MATT
WHITE
- **NP**
MATT
BLACK
- **CF**
BLACK
CHROME
- **CS**
BRUSHED
BLACK
CHROME
- **II**
PALE
GOLD
- **IS**
BRUSHED
PALE GOLD
- **RS**
ROSE
GOLD
- **SR**
BRUSHED
ROSE GOLD
- **OO**
GOLD
- **OS**
BRUSHED
GOLD
- **RR**
ANTIQUÉ
COPPER
- **BB**
ANTIQUÉ
BRONZE



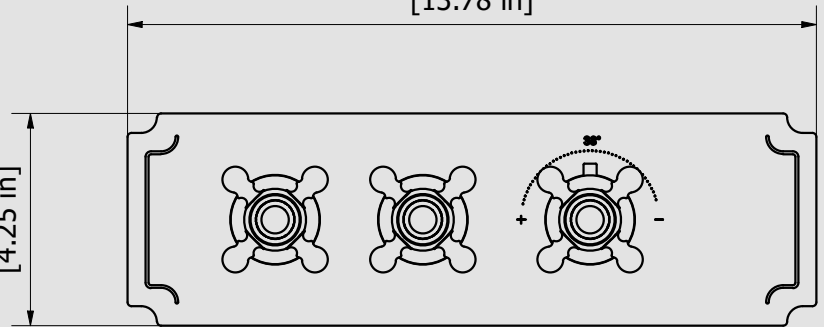
Dimensions

MAX 88 [3.46 in]
MIN 78 [3.07 in]



350
[13.78 in]

108
[4.25 in]



Cartridge

-

Threaded fitting

-

Aerator

-

Flow Rate (+/-10%)

1 BAR
l/m

2 BAR
l/m

3 BAR
l/m

Production

Main body is a machined from a solid pieces

Material

BRASS
According to CuZn39Pb3 (CW614N)
Max Lead content: 2.5%

IB RUBINETTERIE s.p.a
via dei Pianotti 3/5
25068 Sarezzo (BS) - Italy -

T. +39 030 802101
F. +39 030 803097
info@weareib.it

P.IVA 01785230986
capitale sociale
€420.000,00 i.v.

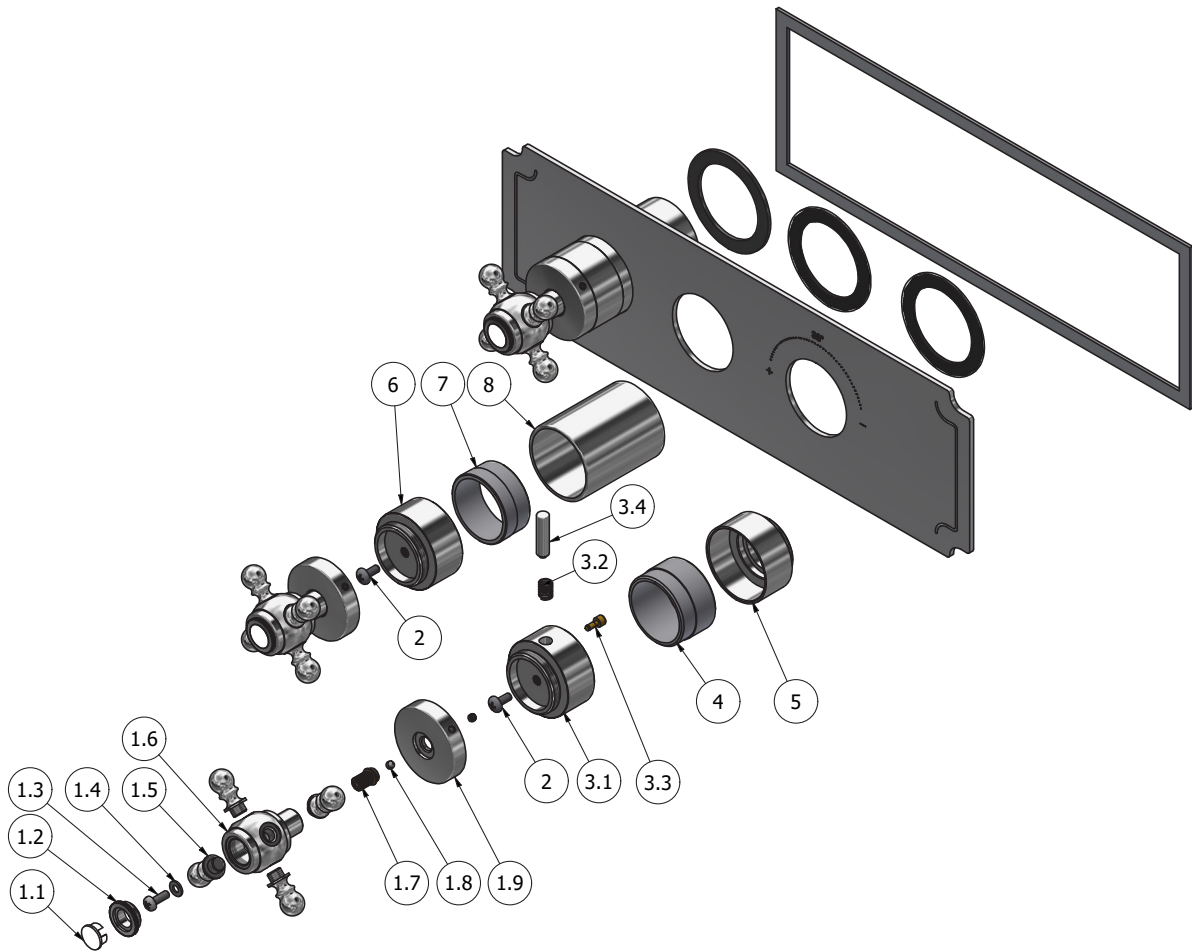
www.weareib.it





WE ARE IB

Parts list				
ITEMS	CODE	DESCRIPTION	FIN	QTÀ
1	CP3095CC-1	Preassembled handled	-	3
1.1	AQ0013323	Neutral handle's plug	-	1
1.2	AQ0009069	Cover Ø20 PLS	F	1
1.3	AQ0010985	Inox screw M4x12	-	1
1.4	AQ0010229	Inox washer Ø4	-	1
1.5	AC0003431	Pin for handle	F	4
1.6	AC0003095	Lever Ø31.5 M8x1 H42	F	1
1.7	AS0011128	Broach for thermostatic handle	G	1
1.8	AQ0001082	Grubscrew M4x4 cone point	-	2
1.9	AC0010828	Handle Ø45 Ø15.7 M H9.6	F	1
2	AQ0002160	Screw M4x10	-	3
3	CP7043CCXN_1	Thermo regulaton handle body	-	1
3.1	AC0007043	Handle thermoregulation	F	1
3.2	AQ0008086	Spring for thermo plug Ø6 F0.5 L8.5	G	1
3.3	AS0007045	Pin for thermo lever button Ø6 H11.6	G	1
3.4	AC0011424	Plug for thermo handle H27	F	1
4	AS0013025	Centering bush Ø40.95 Ø41.95 H25	-	1
5	AC0011535	Support Ø45 H25.5 M36x1.5	F	1
6	AC0007042	Capacity handle body	F	2
7	AS0013024	Centering bush Ø40.95 Ø40.35 H18.5	-	2
8	AC0011537	Flange for regulation tap Ø45 H56.7	F	2
9	AQ0013943	Rubber packing Ø60xØ45 H2	-	3
10	AQ0015699	Rubber packing double-sided tape 345x105x2	-	1
11	ACGC16011_O	Plate 350x108x88x320x3 °C	F	1





WE ARE IB

WARRANTY

All IB Rubinetterie SpA products are warranted for 10 years from the date of purchase, for the following cases:

- Defects of casting, porosity and chrome plating.
- Operating defects caused by incorrect fabrication.

The warranty provides for repair or replacement of products with fabrication defects recognized by our technical office. There is no other type of compensation anche the merchandise must be returned FOB our warehouse. The warranty only cover surface defects (scartches, dings, etc.) on fitting that have not been installed and used, returned in its original packaging with all components. O-ring, gasket seals and components subject to wear proportional to use are warranted for 2 years.

The warranty is void in the following cases:

Error installing and putting the product into service.

Deterioration of finished surfaces due to use of cleaning products containing acids or abrasive substances.

Deterioration of surface with finishes other than chrome plating. Their durability is, in fact, dependent on the user's care and gentleness of use.

Deterioration of the fitting due incorrect installation.

Improper repairs and maintenance performed without the company's prior authorization.

The warranty from IB Rubinetterie SpA is not renewable.

Cleaning

We recommended cleaning the finish surfaces with water and soap, using a soft cloth.

Do not use detergents that cointain hydrochloric acid or abrasive substances.