



WE ARE IB

Collection

KITCHEN

Article

HR371

Description

Dual control kitchen mixer.

Box Dimensions

370x270x80 mm

Weight

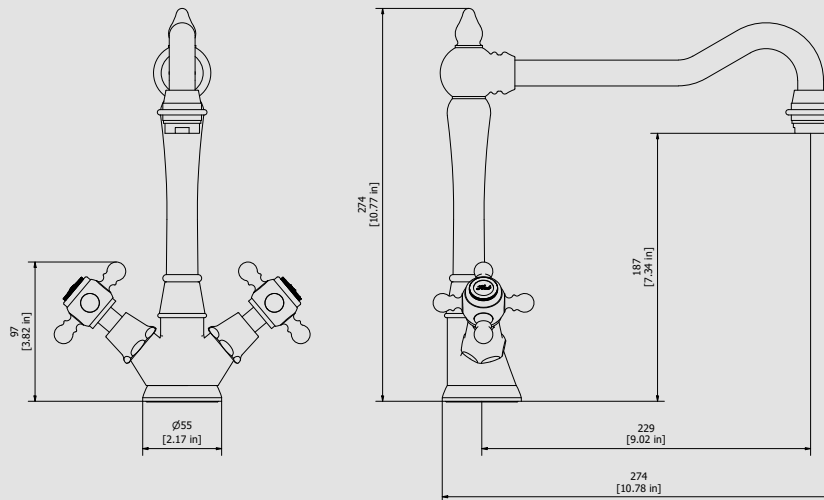
2.6 kg

Finishes

- CC**
CHROME
- PL**
PLATINUM
- SS**
BRUSHED
NICKEL
- ON**
NATURAL
BRASS
- BO**
MATT
WHITE
- NP**
MATT
BLACK
- CF**
BLACK
CHROME
- CS**
BRUSHED
BLACK
CHROME
- II**
PALE
GOLD
- IS**
BRUSHED
PALE GOLD
- RS**
ROSE
GOLD
- SR**
BRUSHED
ROSE GOLD
- OO**
GOLD
- OS**
BRUSHED
GOLD
- RR**
ANTIQUÉ
COPPER
- BB**
ANTIQUÉ
BRONZE



Dimensions



Cartridge

Ceramic headwork

Threaded fitting

Inox hose M10x1 G3/8" F L600

Aerator

M24x1

Flow Rate (+/-10%)

1 BAR	2 BAR	3 BAR
9.5 l/m	11 l/m	15 l/m

Production

Main body is a single hot stamped pieces

Material

BRASS
According to CuZn39Pb3 (CW614N)
Max Lead content: 2.5%

IB RUBINETTERIE s.p.a
via dei Pianotti 3/5
25068 Sarezzo (BS) - Italy -

T. +39 030 802101
F. +39 030 803097
info@weareib.it

P.IVA 01785230986
capitale sociale
€420.000,00 i.v.

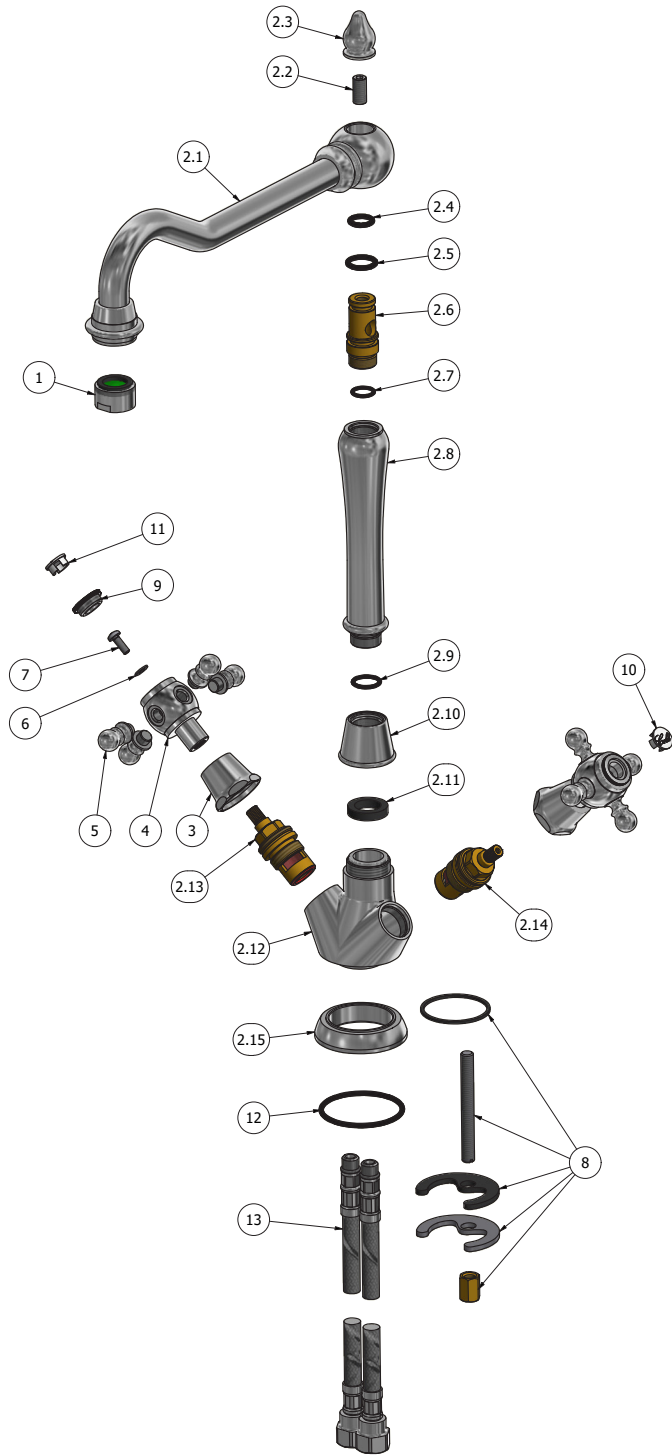
www.weareib.it





WE ARE IB

Elenco parti			
ELEM.	CODICE	NUMERO DI MAGAZZINO	QTÀ
1	AQ0000020	Aerator M24 x 1 periator honeycomb (40200503301)	1
2	CPKHR370CCX01	Preassembled sink mixer	1
2.1	AC0009355	Spout	1
2.2	AQ0006931	Grubscrew M8x16 flat point	1
2.3	AC0007124	Knob Ø19 M8 H27.4	1
2.4	AQ0001320	OR 10.78x2.62 NBR 70 SH	1
2.5	AQ0001365	OR 13.95x2.62 NBR 70 SH	1
2.6	AS0007129	Insert Ø18.9 G3/8" H 43 M8	1
2.7	AQ0001350	OR 11.11x1.78 NBR 70 SH	1
2.8	AC0007128	Extension Ø30 Ø27 M18x1 H139	1
2.9	AQ0001390	OR 14x2 NBR 70 SH	1
2.10	AC0009463	Base for extension Ø34 H25 G3/4"	1
2.11	AQ0010989	Rubber Ø14 Ø16 H5	1
2.12	AS0000690	Single-hole sink body	1
2.13	AQ0002135	Ceramic headwork 90° left	1
2.14	AQ0003930	Ceramic headwork 90° right	1
2.15	AC0010062	Basin base Ø55xH12	1
3	AC0003100	Cap for headwork	2
4	AC0003095	Lever Ø31.5 M8x1 H42	2
5	AL0003431	Pin for handle	8
6	AQ0010229	Washer Ø4	2
7	AQ0010985	Screw M4x12	2
8	AQ0006400	Fixing set	1
9	AQ0009069	Cover Ø20 PLS	2
10	AQ0013552	Handle's plug cold	1
11	AQ0013551	Handle's plug hot	1
12	AQ0010096	OR 45.7x2.62 NBR 70 SH	1
13	AQ0013437	Inox hose M10x1 G3/8" F L600	2





WE ARE IB

WARRANTY

All IB Rubinetterie SpA products are warranted for 10 years from the date of purchase, for the following cases:

- Defects of casting, porosity and chrome plating.
- Operating defects caused by incorrect fabrication.

The warranty provides for repair or replacement of products with fabrication defects recognized by our technical office. There is no other type of compensation anche the merchandise must be returned FOB our warehouse. The warranty only cover surface defects (scartches, dings, etc.) on fitting that have not been installed and used, returned in its original packaging with all components. O-ring, gasket seals and components subject to wear proportional to use are warranted for 2 years.

The warranty is void in the following cases:

Error installing and putting the product into service.

Deterioration of finisched surfaces due to use of cleaning products containing acids or abrasive substances.

Deterioration of surface with finishes other than chrome plating. Their durability is, in fact, dependent on the user's care and gentleness of use.

Deterioration of the fitting due incorrect installation.

Improper repairs and maintenance performed without the company's prior authorization.

The warranty from IB Rubinetterie SpA is not renewable.

Cleaning

We recommended cleaning the finish surfaces with water and soap, using a soft cloth.

Do not use detergents that cointain hydrochloric acid or abrasive substances.