



WE ARE IB

Collection

INDUSTRIA

Article

ID399

Description

Floormount tub filler.

Built-in body to be purchased separately INC399.

Box Dimensions

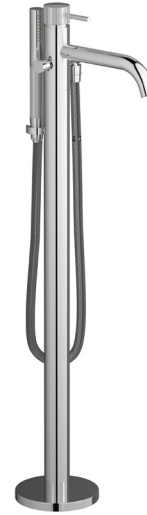
1100 x 395 x 150 mm

Weight

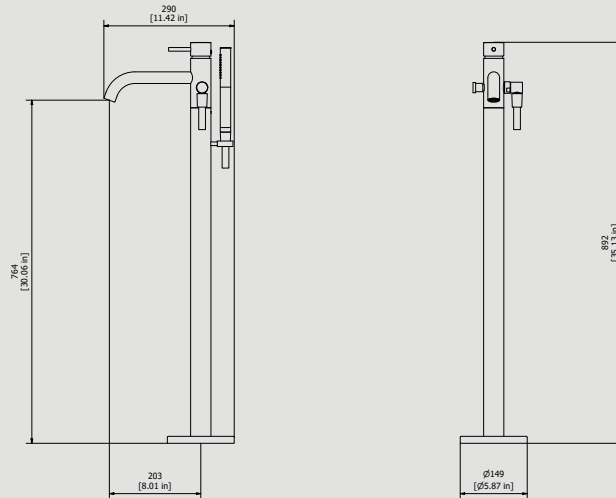
15.6 kg

Finishes

- **CC**
CHROME
- **CF**
BLACK CHROME
- **OO**
GOLD
- **MB**
MODERN BRONZE
- **SS**
BRUSHED NICKEL
- **CS**
BRUSHED BLACK CHROME
- **BO**
MATT WHITE
- **NP**
MATT BLACK
- **IS**
BRUSHED PALE GOLD
- **OS**
BRUSHED GOLD
- **II**
PALE GOLD
- **RR**
ANTIQUÉ COPPER
- **RS**
ROSE GOLD
- **ON**
NATURAL BRASS
- **SR**
BRUSHED ROSE GOLD
- **PL**
PLATINUM



Dimensions



Cartridge

Ø35 ceramic cartridge

Hoses

Aerator

M24x1

Flow Rate (+/-10%)

1 BAR
11.2 l/min

2 BAR
16 l/min

3 BAR
19.5 l/min

Production

Main body is a machined from a solid pieces

Material

BRASS
According to CuZn39PB3 (CW614N)
Max Lead content: 2.5%

IB RUBINETTERIE s.p.a
via dei Pianotti 3/5
25068 Sarezzo (BS) - Italy -

T. +39 030 802101
F. +39 030 803097
info@weareib.it

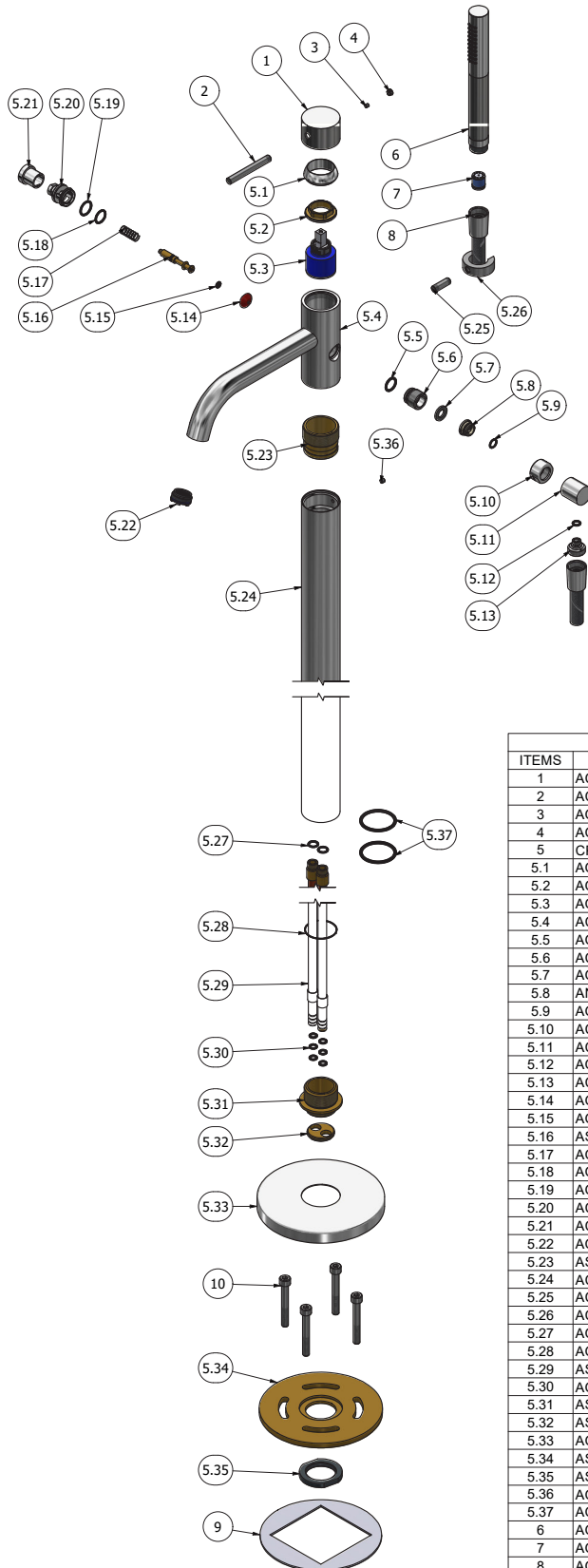
P.IVA 01785230986
capitale sociale
€420.000,00 i.v.

www.weareib.it





WE ARE IB



| Parts list | | | | |
|------------|--------------|--|-----|-----|
| ITEMS | CODE | DESCRIPTION | FIN | QTA |
| 1 | AC0012855-TI | Handle Ø45 H30 knurled | F | 1 |
| 2 | AC0007091 | Straight rod Ø8 L67 | F | 1 |
| 3 | AQ0001080 | Grubscrew M4x4 flat point | - | 1 |
| 4 | AQ0006650 | Plug cover Ø7 | F | 1 |
| 5 | CPID399CC-21 | Preassembled free-standing bath filler mixer | - | 1 |
| 5.1 | AQ0003630 | Cartridge ring nut cover M37x1.5 | F | 1 |
| 5.2 | AQ0001040 | Cartridge ring nut M37x1.5 H9 | G | 1 |
| 5.3 | AQ0014816 | Ceramic cartridge Ø35 (KN-35A) | - | 1 |
| 5.4 | AC0012325 | Mixer body Ø45 H110 Ø26 | F | 1 |
| 5.5 | AQ0001390 | OR 14x2 NBR 70 SH | - | 1 |
| 5.6 | AC0011892 | Shower connection piece G1/2" M19x1 H19 | F | 1 |
| 5.7 | AQ0003080 | Rubber G1/2" | - | 1 |
| 5.8 | AN0009332 | Insert M15x1 H10 | N | 1 |
| 5.9 | AQ0010077 | OR 9x1.5 NBR 70 SH | - | 1 |
| 5.10 | AC0010193 | Nut for shower's seat | F | 1 |
| 5.11 | AC0012349 | L elbow Ø24 M15x1 M10x1 L26 | F | 1 |
| 5.12 | AQ0001330 | OR 6.75x1.78 NBR 70 SH | - | 1 |
| 5.13 | AC0012348 | Connection M10x1 G1/2" L17 | F | 1 |
| 5.14 | AQ0000340 | Biconic packaging NBR 60SH 18 x 9,6 | - | 1 |
| 5.15 | AQ0001410 | OR 4.2x1.9 NBR 70 SH | - | 1 |
| 5.16 | AS0012435 | Rod for diverter | G | 1 |
| 5.17 | AQ0001300 | Spring F 0,6 D.E. 9,8 Sp. | - | 1 |
| 5.18 | AQ0009818 | OR 14x1.78 NBR 70 SH | - | 1 |
| 5.19 | AQ0004600 | OR 15.6x1.78 NBR 70 SH | - | 1 |
| 5.20 | AC0012436 | Diverter body | F | 1 |
| 5.21 | AC0010455 | Diverter knob Ø23 x 18,5 H.22,6 | F | 1 |
| 5.22 | AQ0010587 | Perlator cahcè M24x1 antispash (40.9300.010) | - | 1 |
| 5.23 | AS0012699 | Insert M42x1.5 Ø40 L35 | G | 1 |
| 5.24 | AC0015993 | Pipe Ø45 L740 M39x1.5 F | F | 1 |
| 5.25 | AC0016212 | Rod M8x1 H25 | F | 1 |
| 5.26 | AC0010597 | Shower support | F | 1 |
| 5.27 | AQ0004180 | OR 9.25x1.78 NBR 70 SH | - | 2 |
| 5.28 | AQ0014055 | OR 36x1 NBR 70 SH | - | 1 |
| 5.29 | AS0012688 | Pipe M12x1 L817 | - | 2 |
| 5.30 | AQ0012025 | OR 6.35x1.78 NBR 70 SH | - | 6 |
| 5.31 | AS0016991 | Insert Ø50 M36x1 M M39x1.5 M H33 | G | 1 |
| 5.32 | AS0016997 | Pipe guide M32x1 H5 | G | 1 |
| 5.33 | AQ0015156 | Round carter Ø149 Ø45.5 H15.5 | F | 1 |
| 5.34 | AS0015991 | Flange Ø144 Ø36.2 H6.5 | G | 1 |
| 5.35 | AS0013152 | Nut Ø50 M36X1F H6 CH.46 | G | 1 |
| 5.36 | AQ0009541 | Grubscrew M5x4 flat point | - | 1 |
| 5.37 | AQ0009533 | OR 37x3 NBR 70 SH | - | 2 |
| 6 | AQ0015375 | Union shower Ø23 | F | 1 |
| 7 | AQ0006576 | No return valve Ø15 (31.4015.00001) | - | 1 |
| 8 | AQ0018056 | Flex snapon G1/2" F L150cm Silver | F | 1 |
| 9 | AQ0015889 | Rubber packing double-sided Ø142 H2 | - | 1 |
| 10 | AQ0016200 | Inox screw TCEI M8x60 DIN912 | - | 4 |



WE ARE IB

WARRANTY

All IB Rubinetterie SpA products are warranted for 10 years from the date of purchase, for the following cases:

- Defects of casting, porosity and chrome plating.
- Operating defects caused by incorrect fabrication.

The warranty provides for repair or replacement of products with fabrication defects recognized by our technical office. There is no other type of compensation anche the merchandise must be returned FOB our warehouse. The warranty only cover surface defects (scartches, dings, etc.) on fitting that have not been installed and used, returned in its original packaging with all components. O-ring, gasket seals and components subject to wear proportional to use are warranted for 2 years.

The warranty is void in the following cases:

Error installing and putting the product into service.

Deterioration of finished surfaces due to use of cleaning products containing acids or abrasive substances.

Deterioration of surface with finishes other than chrome plating. Their durability is, in fact, dependent on the user's care and gentleness of use.

Deterioration of the fitting due incorrect installation.

Improper repairs and maintenance performed without the company's prior authorization.

The warranty from IB Rubinetterie SpA is not renewable.

Cleaning

We recommanded cleaning the finish surfaces with water and soap, using a soft cloth.

Do not use detergents that cointain hydrochloric acid or abrasive substances.