



WE ARE IB

Collection

AQUA

Article

IUA200

Description

Built-in thermostatic 2 ways

Box Dimensions

240 x 115 x 160 mm

Weight

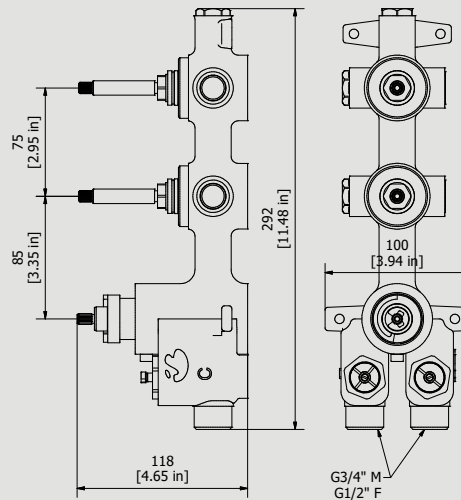
3.9 kg

Finishes

- CC**
CHROME
- CF**
BLACK CHROME
- BG**
GLOSSY WHITE
- NG**
GLOSSY BLACK
- SS**
BRUSHED NICKEL
- CS**
BRUSHED BLACK CHROME
- BO**
MATT WHITE
- NP**
MATT BLACK
- OO**
GOLD
- BB**
ANTIQUÉ BRONZE
- II**
PALE GOLD
- RR**
ANTIQUÉ COPPER
- ORS**
ROSE GOLD
- ON**
NATURAL BRASS
- IS**
BRUSHED PALE GOLD
- OS**
BRUSHED GOLD
- SR**
BRUSHED ROSE GOLD
- PL**
PLATINUM



Dimensions



Cartridge

Thermostatic cartridge

Threaded fitting

**Inlet G3/4" male - G1/2" female
Outlet G1/2" female**

Aerator

Flow Rate (+/-10%)

**1 BAR
26 l/min**

**2 BAR
37 l/min**

**3 BAR
45 l/min**

Production

Main body is a single casted pieces

Material

**BRASS
According to CuZn35Pb2Al-B (CB752S)
Max Lead content: 1.36%**

IB RUBINETTERIE s.p.a
via dei Pianotti 3/5
25068 Sarezzo (BS) - Italy -

T. +39 030 802101
F. +39 030 803097
info@weareib.it

P.IVA 01785230986
capitale sociale
€420.000,00 i.v.

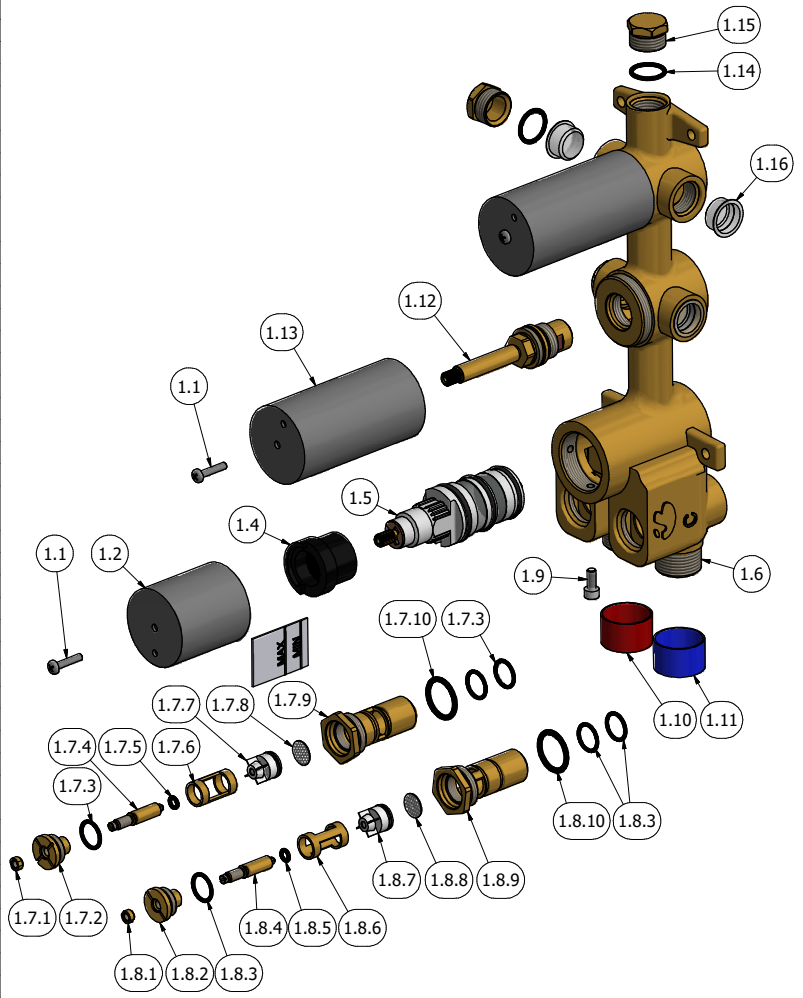
www.weareib.it





WE ARE IB

Parts list			
ELEM	CODE	DESCRIPTION	QT
3	AQ0006680	Plug G1/2" M	2
2	AQ0009841	OR 17x2 NBR 70 SH	2
1	CPUA200C C-1	Preassembled 2 ways	1
1.5	AQ0011042	Thermo cartridge CA43 XF-01	1
1.4	AQ0010474	Temperature regulation stop	1
1.16	AQ0013461	Protecting cap thread Ø19	4
1.12	AQ0014336	Ceramic headwork G1/2" H59.3 mm (FCN0648D)	2
1.2	AQ0013518	Protection carter Ø47 H52	1
1.13	AQ0013517	Protection carter Ø47 H92	2
1.3	AQ0013541	Label MIN MAX	1
1.6	CT0002483	Thermo body G1/2" G3/4" 2 ways	1
1.15	AQ0006680	Plug G1/2" M	1
1.14	AQ0009841	OR 17x2 NBR 70 SH	1
1.10	AQ0015510	Red plug G3/4"	1
1.11	AQ0015511	Blue plug G3/4"	1
1.9	AQ0010946	Inox screw M5x12 DIN912	1
1.1	AQ0009148	Screw M4x20 ISO 7045	3
1.7	CP12312-19	Preassembled not return valve hot	1
1.7.1	AQ0008089	OR 20.29x2.62 NBR 70 SH	1
1.7.3	AQ0009818	OR 14x1.78 NBR 70 SH	3
1.7.8	AQ0014461	Diskette Ø15 netrowk micro P.3	1
1.7.5	AQ0004620	OR 4.47x1.78 NBR 70 SH	1
1.7.9	AS0012312	Not return valve body Hot 24x19 H53	1
1.7.2	AS0012415	Plug for valve M17x1 H15.5 with cross	1
1.7.6	AS0012578	Stop valve Ø14.5 Ø12 H26	1
1.7.4	AS0012776	Valve stop Ø7.5 H39.4 M6 M5	1
1.7.1	AS0012777	Nut M5 H4 Ø7.5	1
1.7.7	AQ0015798	Not return valve Ø15 OF15 (31.0006.0)	1
1.8	CP12311-19	Preassembled not return valve cold	1
1.8.9	AS0012311	Not return valve ody cold 24x19 H53	1
1.8.1	AQ0008089	OR 20.29x2.62 NBR 70 SH	1
1.8.3	AQ0009818	OR 14x1.78 NBR 70 SH	3
1.8.8	AQ0014461	Diskette Ø15 netrowk micro P.3	1
1.8.2	AS0012313	Plug for valve M17x1 H15.5	1
1.8.5	AQ0004620	OR 4.47x1.78 NBR 70 SH	1
1.8.6	AS0012578	Stop valve Ø14.5 Ø12 H26	1
1.8.4	AS0012776	Valve stop Ø7.5 H39.4 M6 M5	1
1.8.1	AS0012777	Nut M5 H4 Ø7.5	1
1.8.7	AQ0015798	Not return valve Ø15 OF15 (31.0006.0)	1





WE ARE IB

WARRANTY

All IB Rubinetterie SpA products are warranted for 10 years from the date of purchase, for the following cases:

- Defects of casting, porosity and chrome plating.
- Operating defects caused by incorrect fabrication.

The warranty provides for repair or replacement of products with fabrication defects recognized by our technical office. There is no other type of compensation anche the merchandise must be returned FOB our warehouse. The warranty only cover surface defects (scatches, dings, etc.) on fitting that have not been installed and used, returned in its original packaging with all components. O-ring, gasket seals and components subject to wear proportional to use are warranted for 2 years.

The warranty is void in the following cases:

Error installing and putting the product into service.

Deterioration of finished surfaces due to use of cleaning products containing acids or abrasive substances.

Deterioration of surface with finishes other than chrome plating. Their durability is, in fact, dependent on the user's

care and gentleness of use.

Deterioration of the fitting due incorrect installation.

Improper repairs and maintenance performed without the company's prior authorization.

The warranty from IB Rubinetterie SpA is not renewable.

Cleaning

We recommanded cleaning the finish surfaces with water and soap, using a soft cloth.

Do not use detergents that cointain hydrochloric acid or abrasive substances.