



WE ARE IB

Collection

# AQUA

Article

## IUA500

Description

**Built-in thermostatic 5 ways**

Box Dimensions

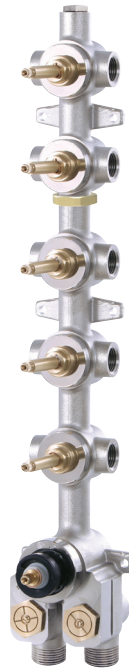
**440x190x165 mm**

Weight

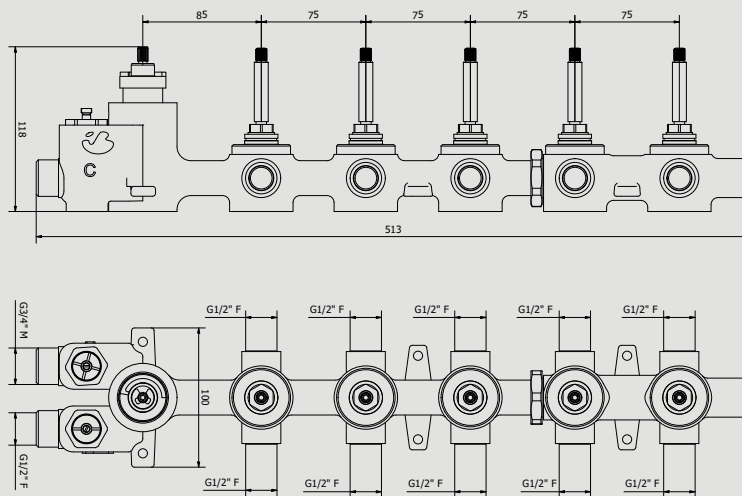
**6.0 kg**

Finishes

- CC**  
CHROME
- CF**  
BLACK CHROME
- BG**  
GLOSSY WHITE
- NG**  
GLOSSY BLACK
- SS**  
BRUSHED NICKEL
- CS**  
BRUSHED BLACK CHROME
- BO**  
MATT WHITE
- NP**  
MATT BLACK
- OO**  
GOLD
- BB**  
ANTIQUÉ BRONZE
- II**  
PALE GOLD
- RR**  
ANTIQUÉ COPPER
- ORS**  
ROSE GOLD
- ON**  
NATURAL BRASS
- IS**  
BRUSHED PALE GOLD
- OS**  
BRUSHED GOLD
- SR**  
BRUSHED ROSE GOLD
- PL**  
PLATINUM



Dimensions



Cartridge

**Thermostatic cartridge**

Threaded fitting

**Inlet G3/4" male - G1/2" female  
Outlet G1/2" female**

Aerator

Flow Rate (+/-10%)

**1 BAR  
26 l/min**

**2 BAR  
37 l/min**

**3 BAR  
45 l/min**

Production

**Main body is a single casted pieces**

Material

**BRASS  
According to CuZn35Pb2Al-B (CB752S)  
Max Lead content: 1.36%**

**IB RUBINETTERIE s.p.a**  
via dei Pianotti 3/5  
25068 Sarezzo (BS) - Italy -

T. +39 030 802101  
F. +39 030 803097  
info@weareib.it

P.IVA 01785230986  
capitale sociale  
€420.000,00 i.v.

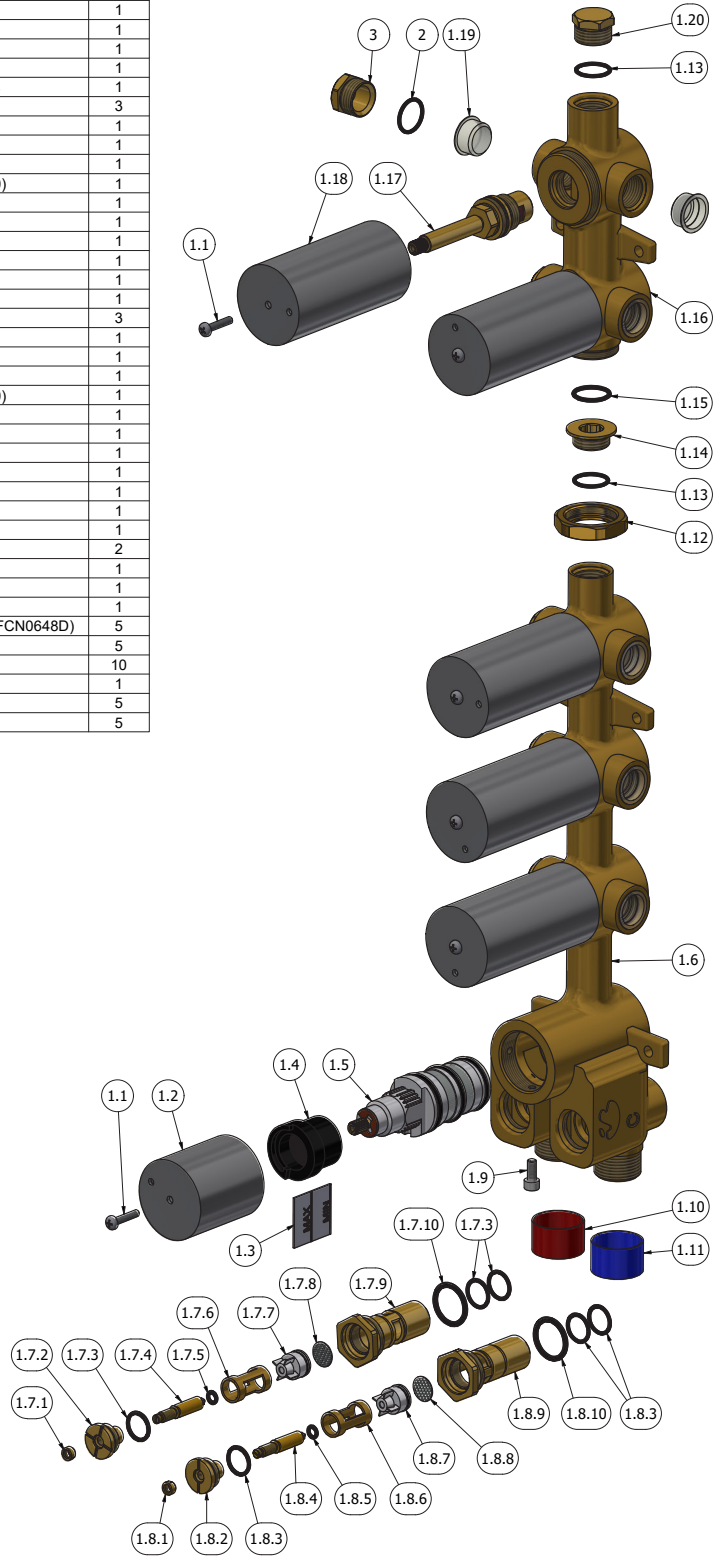
[www.weareib.it](http://www.weareib.it)





WE ARE IB

Parts list			
ELEM.	CODE	DESCRIPTION	QTÀ
1	CPUA500CC-1	Preassembled thermostatic 5 ways	1
1.1	AQ0009148	Screw M4x20 ISO 7045	6
1.2	AQ0013518	Protection carter Ø47 H52	1
1.3	AQ0015533	Label MIN MAX	1
1.4	AQ0010474	Temperature regulation stop	1
1.5	AQ0011042	Thermo cartridge CA43 XF-01	1
1.6	CT0002481	Thermo body G1/2" G3/4" 3 ways	1
1.7	CP12312-19	Preassembled not return valve hot	1
1.7.1	AS0012777	Nut M5 H4 Ø7.5	1
1.7.2	AS0012415	Plug for valve M17x1 H15.5 with cross	1
1.7.3	AQ0009818	OR 14x1.78 NBR 70 SH	3
1.7.4	AS0012776	Valve stop Ø7.5 H39.4 M6 M5	1
1.7.5	AQ0004620	OR 4.47x1.78 NBR 70 SH	1
1.7.6	AS0012578	Stop valve Ø14.5 Ø12 H26	1
1.7.7	AQ0015798	Not return valve Ø15 OF15 (31.0006.0)	1
1.7.8	AQ0014461	Diskette Ø15 netrowk micro P.3	1
1.7.9	AS0012312	Not return valve body Hot 24x19 H53	1
1.7.10	AQ0008089	OR 20.29x2.62 NBR 70 SH	1
1.8	CP12311-19	Preassembled not return valve cold	1
1.8.1	AS0012777	Nut M5 H4 Ø7.5	1
1.8.2	AS0012313	Plug for valve M17x1 H15.5	1
1.8.3	AQ0009818	OR 14x1.78 NBR 70 SH	3
1.8.4	AS0012776	Valve stop Ø7.5 H39.4 M6 M5	1
1.8.5	AQ0004620	OR 4.47x1.78 NBR 70 SH	1
1.8.6	AS0012578	Stop valve Ø14.5 Ø12 H26	1
1.8.7	AQ0015798	Not return valve Ø15 OF15 (31.0006.0)	1
1.8.8	AQ0014461	Diskette Ø15 netrowk micro P.3	1
1.8.9	AS0012311	Not return valve body cold 24x19 H53	1
1.8.10	AQ0008089	OR 20.29x2.62 NBR 70 SH	1
1.9	AQ0010946	Inox screw M5x12 DIN912	1
1.10	AQ0015510	Red plug G3/4"	1
1.11	AQ0015511	Blue plug G3/4"	1
1.12	AS0012473	Nut hex38 M30x1 H8	1
1.13	AQ0004630	OR 17.16x1.78 NBR 70 SH	2
1.14	AS0012474	Stop nut G1/2" H10 Ø28	1
1.15	AQ0006997	OR 18x2 NBR 70 SH	1
1.16	CT0002389	Collector 2 ways L149.5 G1/2"	1
1.17	AQ0014336	Ceramic headwork G1/2" H59.3 mm (FCN0648D)	5
1.18	AQ0013517	Protection carter Ø47 H92	5
1.19	AQ0013461	Protecting cap thread Ø19	10
1.20	AQ0006680	Plug G1/2" M	1
2	AQ0004630	OR 17.16x1.78 NBR 70 SH	5
3	AQ0006680	Plug G1/2" M	5





WE ARE IB

### **WARRANTY**

All IB Rubinetterie SpA products are warranted for 10 years from the date of purchase, for the following cases:

- Defects of casting, porosity and chrome plating.
- Operating defects caused by incorrect fabrication.

The warranty provides for repair or replacement of products with fabrication defects recognized by our technical office. There is no other type of compensation anche the merchandise must be returned FOB our warehouse. The warranty only cover surface defects (scatches, dings, etc.) on fitting that have not been installed and used, returned

in its original packaging with all components. O-ring, gasket seals and components subject to wear proportional to use are warranted for 2 years.

#### **The warranty is void in the following cases:**

Error installing and putting the product into service.

Deterioration of finished surfaces due to use of cleaning products containing acids or abrasive substances.

Deterioration of surface with finishes other than chrome plating. Their durability is, in fact, dependent on the user's

care and gentleness of use.

Deterioration of the fitting due incorrect installation.

Improper repairs and maintenance performed without the company's prior authorization.

The warranty from IB Rubinetterie SpA is not renewable.

#### **Cleaning**

We recommended cleaning the finish surfaces with water and soap, using a soft cloth.

Do not use detergents that cointain hydrochloric acid or abrasive substances.