



WE ARE IB

Collection

K2

Article

K2250

Description

Wall mounted bath filler

Box Dimensions

353 x 225 x 226 mm

Weight

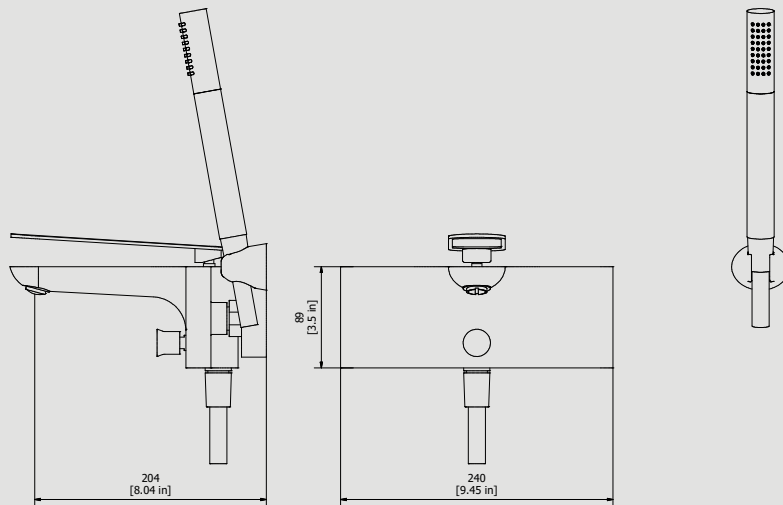
4.9 kg

Finishes

- **CC** CHROME
- **CF** BLACK CHROME
- **OO** GOLD
- **MB** MODERN BRONZE
- **SS** BRUSHED NICKEL
- **CS** BRUSHED BLACK CHROME
- **BO** MATT WHITE
- **NP** MATT BLACK
- **IS** BRUSHED PALE GOLD
- **OS** BRUSHED GOLD
- **II** PALE GOLD
- **RR** ANTIQUE COPPER
- **RS** ROSE GOLD
- **ON** NATURAL BRASS
- **SR** BRUSHED ROSE GOLD
- **PL** PLATINUM



Dimensions



Cartridge

Ø35 ceramic cartridge

Threaded fitting

G1/2" male

Aerator

M24x1

Flow Rate (+/-10%)

**1 BAR
9.2 l/min**

**2 BAR
14.2 l/min**

**3 BAR
17.6 l/min**

Production

Main body is a single casted pieces

Material

**BRASS
According to CuZn35Pb2AL-B (CB752S)
Max Lead content: 1.36%**

IB RUBINETTERIE s.p.a
via dei Pianotti 3/5
25068 Sarezzo (BS) - Italy -

T. +39 030 802101
F. +39 030 803097
info@weareib.it

P.IVA 01785230986
capitale sociale
€420.000,00 i.v.

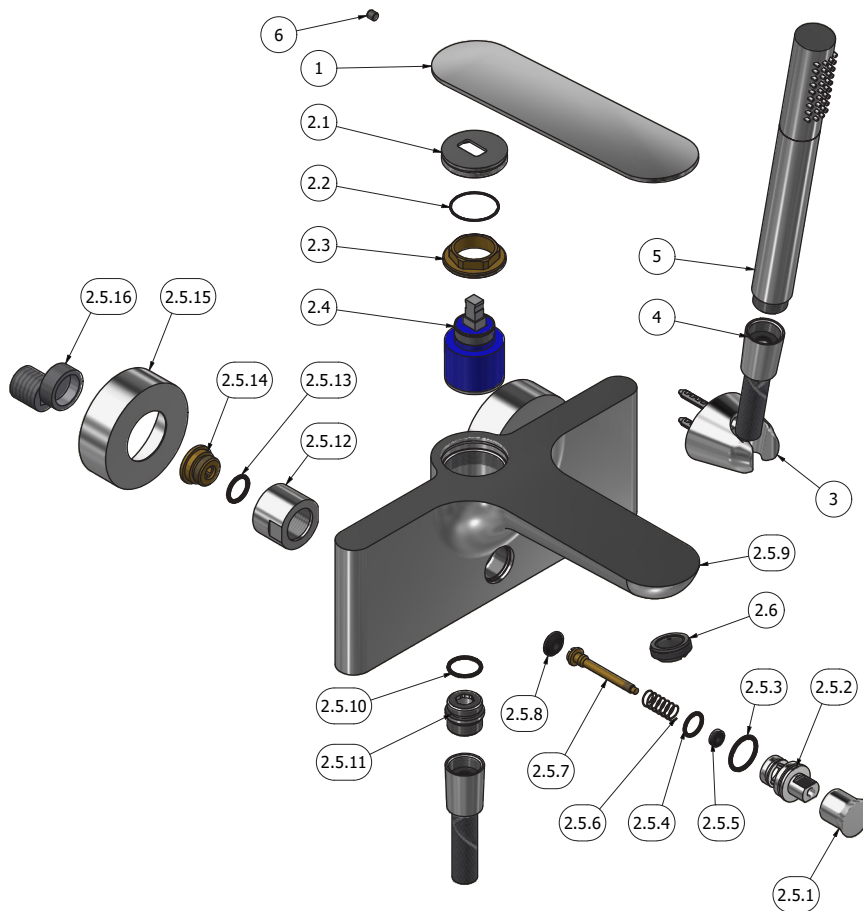
www.weareib.it





WE ARE IB

Parts list				
ITEMS	CODE	DESCRIPTION	FIN	QTA
1	AQ0014035-TI	Handle L200 H15.2 3.5°	F	1
2	CPK2250CC-1	Preassembled wall mounted bath filler	F	1
2.1	AC0011893	Cover Ø38.5 H7.1	F	1
2.2	AQ0013356	OR 27x1 NBR 70 SH	-	1
2.3	AS0011922	Cartridge fixing nut M37x1.25 H8	G	1
2.4	AQ0014040	Ceramic cartridge Ø35 Wout/D K 35 A	-	1
2.5	AQ0014050	Complete bath filler	F	1
2.5.1	AQ0014050_1	Diverter knob	F	1
2.5.2	AQ0014050_2	Diverter body	F	1
2.5.3	AQ0014050_3	OR 19x2 NBR 70 SH	-	1
2.5.4	AQ0014050_4	OR 12.42x1.78 NBR 70 SH	-	1
2.5.5	AQ0014050_5	Lip seal Ø10 Ø5 H3	-	1
2.5.6	AQ0014050_6	Spring F 0,6 D.E. 9,8 Sp.	-	1
2.5.7	AQ0014050_7	Rod Ø11 M5 H53	-	1
2.5.8	AQ0014050_8	Biconical gasket	-	1
2.5.9	AQ0014050_9	Bath body complete with diverter & rosette	F	1
2.5.10	AQ0014050_10	OR 17.16x1.78 NBR 70 SH	-	1
2.5.11	AQ0014050_11	Shower connection G1/2" L19.5	F	1
2.5.12	AQ0014050_12	Connection Ø32 H23 G3/4"	F	2
2.5.13	AQ0014050_13	OR 14x2 NBR 70 SH	-	2
2.5.14	AQ0014050_14	Nut seat M18x1 left H13	G	2
2.5.15	AQ0014050_15	Rosette Ø68 H22	F	2
2.5.16	AQ0014050_16	Eccentric nut	F	2
2.6	AQ0014111	Perlator coin slot M24x1 (45.2006.000)	-	1
3	AQ0010935	Handshower support	F	1
4	AQ0018056	Flex snapon G1/2" F L150cm Silver	F	1
5	AQ0013557	Onair hand shower	F	1
6	AQ0001100	Grubscrew M5x5 flat point	-	1





WE ARE IB

WARRANTY

All IB Rubinetterie SpA products are warranted for 10 years from the date of purchase, for the following cases:

- Defects of casting, porosity and chrome plating.
- Operating defects caused by incorrect fabrication.

The warranty provides for repair or replacement of products with fabrication defects recognized by our technical office. There is no other type of compensation anche the merchandise must be returned FOB our warehouse. The warranty only cover surface defects (scartches, dings, etc.) on fitting that have not been installed and used, returned in its original packaging with all components. O-ring, gasket seals and components subject to wear proportional to use are warranted for 2 years.

The warranty is void in the following cases:

Error installing and putting the product into service.

Deterioration of finished surfaces due to use of cleaning products containing acids or abrasive substances.

Deterioration of surface with finishes other than chrome plating. Their durability is, in fact, dependent on the user's care and gentleness of use.

Deterioration of the fitting due incorrect installation.

Improper repairs and maintenance performed without the company's prior authorization.

The warranty from IB Rubinetterie SpA is not renewable.

Cleaning

We recommanded cleaning the finish surfaces with water and soap, using a soft cloth.

Do not use detergents that cointain hydrochloric acid or abrasive substances.