



WE ARE IB

Collection

K3

Article

K3220

Description

Monohole bidet mixer.

Box Dimensions

340x180x70 mm

Weight

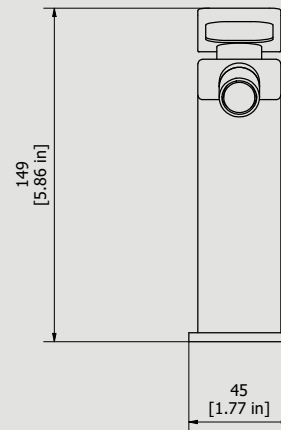
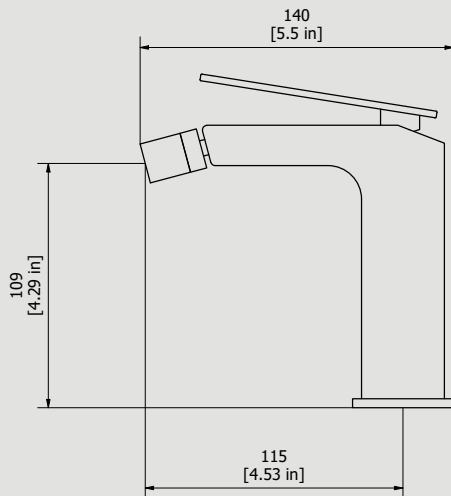
1.9 kg

Finishes

- **CC** CHROME
- **CF** BLACK CHROME
- **OO** GOLD
- **MB** MODERN BRONZE
- **SS** BRUSHED NICKEL
- **CS** BRUSHED BLACK CHROME
- **BO** MATT WHITE
- **NP** MATT BLACK
- **IS** BRUSHED PALE GOLD
- **OS** BRUSHED GOLD
- **II** PALE GOLD
- **RR** ANTIQUE COPPER
- **RS** ROSE GOLD
- **ON** NATURAL BRASS
- **SR** BRUSHED ROSE GOLD
- **PL** PLATINUM



Dimensions



Cartridge

Ø25 ceramic cartridge

Hoses

Inox hoses G3\8" female 450 mms long

Aerator

M16x1

Flow Rate (+/-10%)

1 BAR	2 BAR	3 BAR
3.5 l/min	4.9 l/min	5.4 l/min

Production

Main body is a single casted pieces

Material

BRASS
According to CuZn35Pb2AL-B (CB752S)
Max Lead content: 1.36%

IB RUBINETTERIE s.p.a
via dei Pianotti 3/5
25068 Sarezzo (BS) - Italy -

T. +39 030 802101
F. +39 030 803097
info@weareib.it

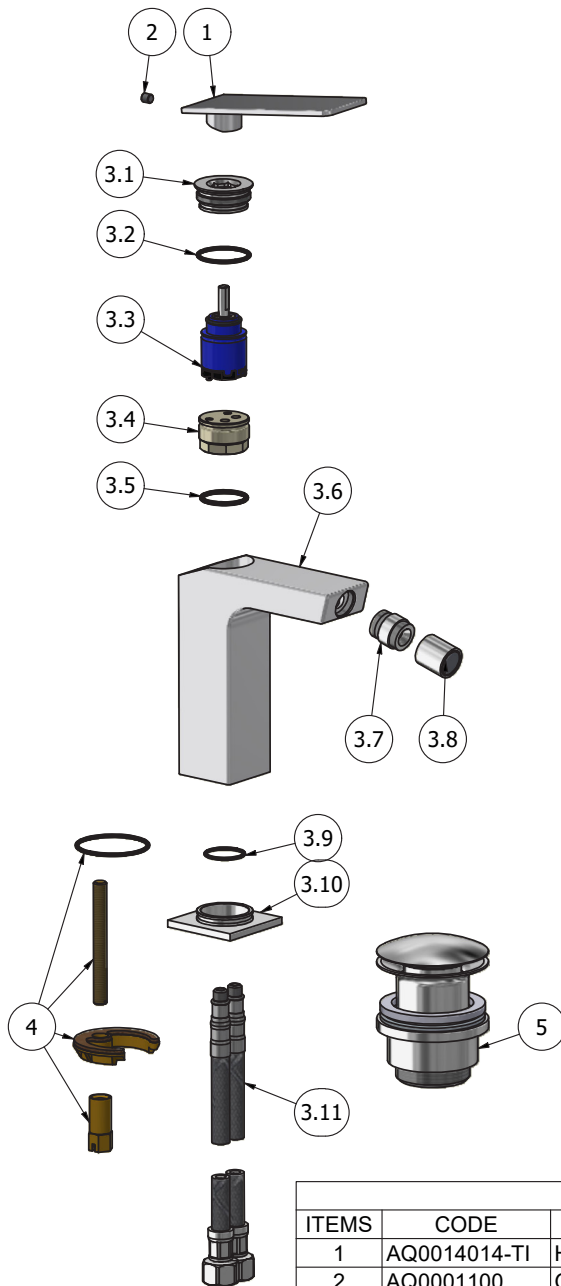
P.IVA 01785230986
capitale sociale
€420.000,00 i.v.

www.weareib.it





WE ARE IB



Parts list

ITEMS	CODE	DESCRIPTION	FIN	QTÀ
1	AQ0014014-TI	Handle L106.7 H15.9 9°		1
2	AQ0001100	Grubscrew M5x5 flat point	-	1
3	CPK3220CC-1	Preassembled bidet KH-03		1
3.1	AC0011883	Cartridge fixing nut Ø32,8 H.14.15	F	1
3.2	AQ0010564	OR 26.7x1.78 NBR 70 SH	-	1
3.3	AQ0016765	Cartridge Ø25 open Ø (KH25OP A4UI)	-	1
3.4	AN0010810	Connection piece Ø27X18	N	1
3.5	AQ0010972	OR 23x2 NBR 70 SH	-	1
3.6	AQ0013981	Mixer body bidet 37x37 H122 L108		1
3.7	AQ0013500	Articulated joint for bidet M16x1	F	1
3.8	AQ0013575	Aerator M16x1 1.5 GPM (AMF 1052523)	F	1
3.9	AQ0010965	OR 20x1.5 NBR 70 SH	-	1
3.10	AQ0013602	Basin base 45x45x8.5 zamack	F	1
3.11	AQ0011013	Flex inox M8x1 G3/8" L450	-	2
4	AQ0010505	Fixing set	-	1
5	AQ0009837	Simple rapid waste 1"1/4	F	1



WE ARE IB

WARRANTY

All IB Rubinetterie SpA products are warranted for 10 years from the date of purchase, for the following cases:

- Defects of casting, porosity and chrome plating.
- Operating defects caused by incorrect fabrication.

The warranty provides for repair or replacement of products with fabrication defects recognized by our technical office. There is no other type of compensation anche the merchandise must be returned FOB our warehouse. The warranty only cover surface defects (scartches, dings, etc.) on fitting that have not been installed and used, returned in its original packaging with all components. O-ring, gasket seals and components subject to wear proportional to use are warranted for 2 years.

The warranty is void in the following cases:

Error installing and putting the product into service.

Deterioration of finished surfaces due to use of cleaning products containing acids or abrasive substances.

Deterioration of surface with finishes other than chrome plating. Their durability is, in fact, dependent on the user's care and gentleness of use.

Deterioration of the fitting due incorrect installation.

Improper repairs and maintenance performed without the company's prior authorization.

The warranty from IB Rubinetterie SpA is not renewable.

Cleaning

We recommanded cleaning the finish surfaces with water and soap, using a soft cloth.

Do not use detergents that cointain hydrochloric acid or abrasive substances.