



WE ARE IB

Collection

**K3**

Article

**K3300**

Description

**Exposed parts for manual wall mixer**

**Built-in body to be purchased separately INC300**

Box Dimensions

**150x190x98 mm**

Weight

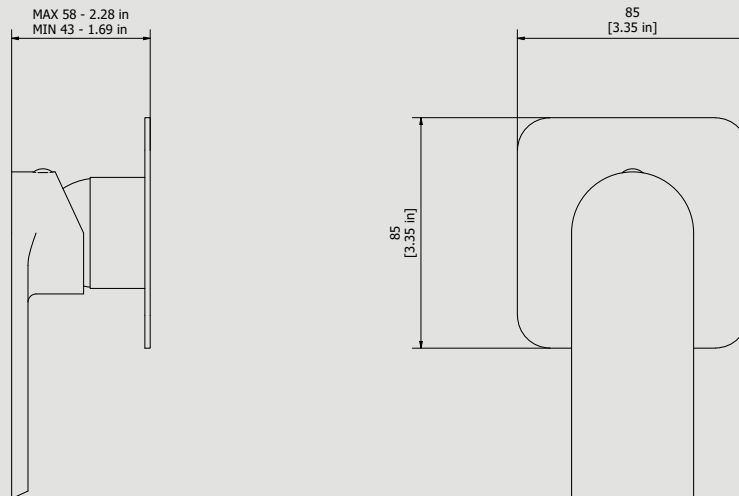
**1.8 kg**



Finishes

- CC** CHROME
- CF** BLACK CHROME
- OO** GOLD
- MB** MODERN BRONZE
- SS** BRUSHED NICKEL
- CS** BRUSHED BLACK CHROME
- BO** MATT WHITE
- NP** MATT BLACK
- IS** BRUSHED PALE GOLD
- OS** BRUSHED GOLD
- II** PALE GOLD
- RR** ANTIQUE COPPER
- RS** ROSE GOLD
- ON** NATURAL BRASS
- SR** BRUSHED ROSE GOLD
- PL** PLATINUM

Dimensions



Cartridge

**Ø35 ceramic cartridge**

Threaded fitting

Aerator

Flow Rate (+/-10%)

<b>1 BAR</b>	<b>2 BAR</b>	<b>3 BAR</b>
<b>11.5 l/min</b>	<b>16.3 l/min</b>	<b>20 l/min</b>

Production

**Main body is a machined from a solid pieces**

Material

**BRASS**  
According to CuZn39Pb3 (CW614N)  
Max Lead content: 2.5%

IB RUBINETTERIE s.p.a  
via dei Pianotti 3/5  
25068 Sarezzo (BS) - Italy -

T. +39 030 802101  
F. +39 030 803097  
info@weareib.it

P.IVA 01785230986  
capitale sociale  
€420.000,00 i.v.

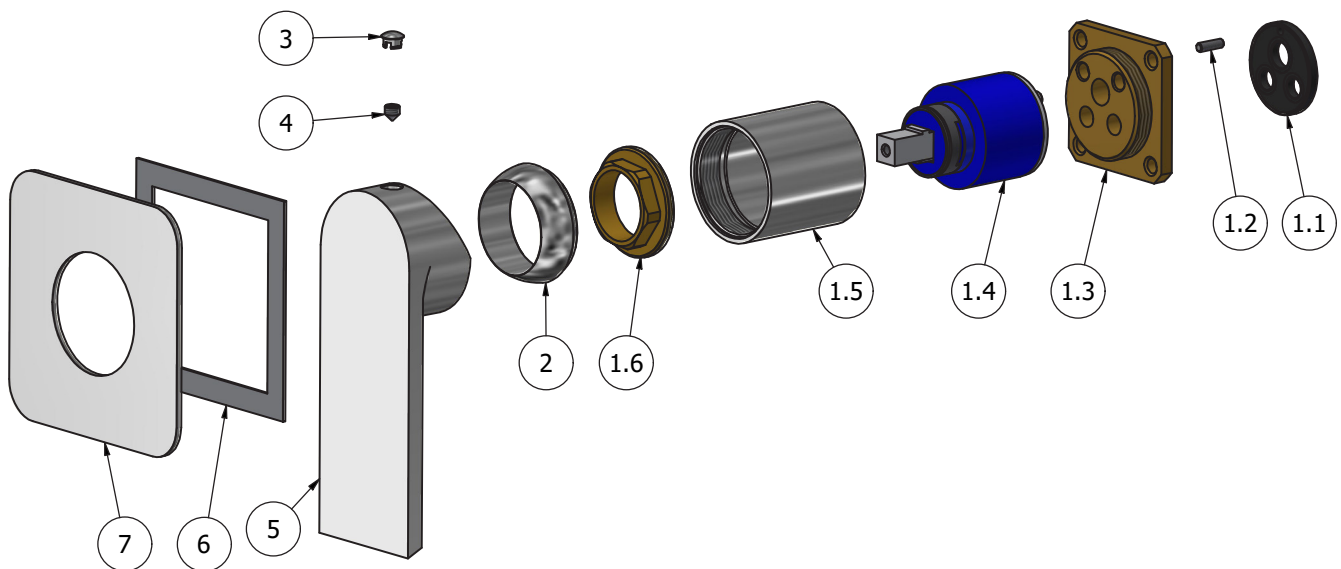
www.weareib.it





WE ARE IB

Parts list				
ITEMS	CODE	DESCRIPTION	FIN	QTÀ
1	CPIN206CC-19	Mixer 47x47 x recessed	-	1
1.1	AQ0015684	Gasket Ø31 H3.5 Ø7 Ø7.5	-	1
1.2	AQ0015357	Grubscrew M3x10 flat point	-	1
1.3	AS0013040	Insert 47x47 H11 M37x1.5	G	1
1.4	AQ0004095	Ceramic cartridge Ø35 9x9 (K35A)	-	1
1.5	AC0010445	Recessed ring Ø41 M37x1.5 H40.7	F	1
1.6	AQ0001040	Cartridge ring nut M37x1.5 H9	G	1
2	AQ0003630	Cartridge ring nut cover M37x1.5	F	1
3	AQ0006650	Plug cover Ø7	F	1
4	AQ0009729	Grubscrew M5x5 cone point	-	1
5	AQ0013978	Handle Ø45 H26.5 L120.5	F	1
6	AQ0015829	Rubber packing double-sided tape 75x75x8x1	-	1
7	AC0013100-TI	Plate 85x85x2 300	F	1





WE ARE IB

### **WARRANTY**

All IB Rubinetterie SpA products are warranted for 10 years from the date of purchase, for the following cases:

- Defects of casting, porosity and chrome plating.
- Operating defects caused by incorrect fabrication.

The warranty provides for repair or replacement of products with fabrication defects recognized by our technical office. There is no other type of compensation anche the merchandise must be returned FOB our warehouse. The warranty only cover surface defects (scartches, dings, etc.) on fitting that have not been installed and used, returned in its original packaging with all components. O-ring, gasket seals and components subject to wear proportional to use are warranted for 2 years.

#### **The warranty is void in the following cases:**

Error installing and putting the product into service.

Deterioration of finished surfaces due to use of cleaning products containing acids or abrasive substances.

Deterioration of surface with finishes other than chrome plating. Their durability is, in fact, dependent on the user's care and gentleness of use.

Deterioration of the fitting due incorrect installation.

Improper repairs and maintenance performed without the company's prior authorization.

The warranty from IB Rubinetterie SpA is not renewable.

#### **Cleaning**

We recommanded cleaning the finish surfaces with water and soap, using a soft cloth.

Do not use detergents that cointain hydrochloric acid or abrasive substances.