



WE ARE IB

Collection

LOFT

Article

L0381

Description

Lateral lever and extractible shower sink mixer.

Box Dimensions

685x345x168 mm

Weight

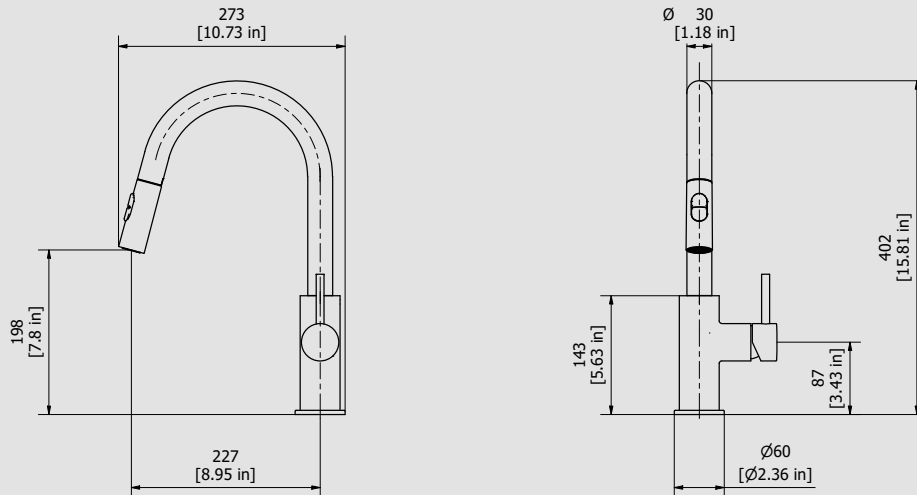
3.6 kg

Finishes

- CC** CHROME
- PL** PLATINUM
- SS** BRUSHED NICKEL
- ON** NATURAL BRASS
- BO** MATT WHITE
- NP** MATT BLACK
- CF** BLACK CHROME
- CS** BRUSHED BLACK CHROME
- II** PALE GOLD
- IS** BRUSHED PALE GOLD
- RS** ROSE GOLD
- SR** BRUSHED ROSE GOLD
- OO** GOLD
- OS** BRUSHED GOLD
- RR** ANTIQUE COPPER
- BB** ANTIQUE BRONZE



Dimensions



Cartridge

-

Threaded fitting

-

Aerator

Extractible shower

Flow Rate (+/-10%)

**1 BAR
3 l/m**

**2 BAR
4.4 l/m**

**3 BAR
4.5 l/m**

Production

Main body is a single hot stamped pieces

Material

-

IB RUBINETTERIE s.p.a
via dei Pianotti 3/5
25068 Sarezzo (BS) - Italy -

T. +39 030 802101
F. +39 030 803097
info@weareib.it

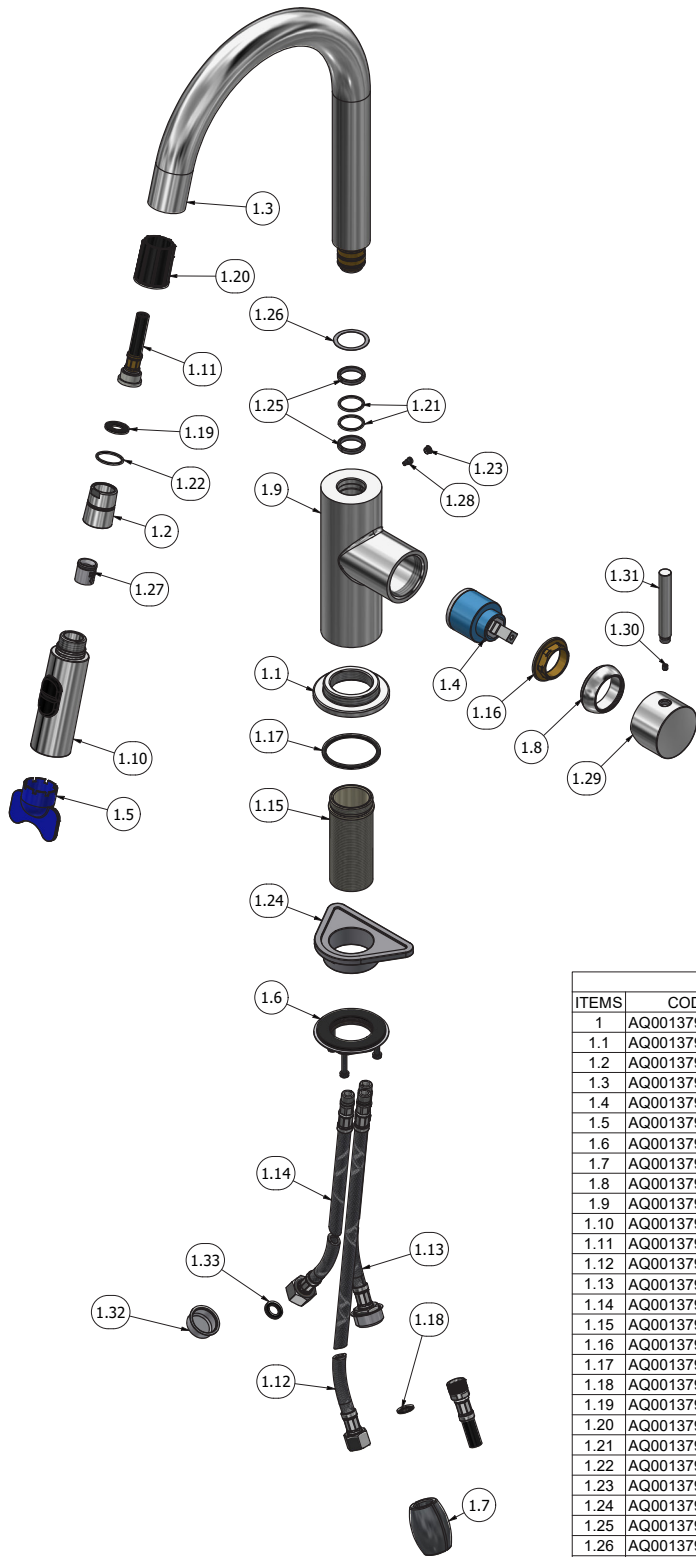
P.IVA 01785230986
capitale sociale
€420.000,00 i.v.

www.weareib.it





WE ARE IB



Parts list

ITEMS	CODE	DESCRIPTION	FIN	QTÀ
1	AQ0013797	Lateral lever and extractible shower sink mixer	-	1
1.1	AQ0013797_1	Base (P017031)	F	1
1.2	AQ0013797_2	G1/2" x Flex (V043023)	F	1
1.3	AQ0013797_3	Spout (P017049)	F	1
1.4	AQ0013797_4	Cartridge Ø35 (V001003)	-	1
1.5	AQ0013797_5	Key (V013027)	-	1
1.6	AQ0013797_6	Fix set W34x19 F (V016070S)	-	1
1.7	AQ0013797_7	Snodino (V019019)	-	1
1.8	AQ0013797_8	Coprihiera Ø42 ABS (V010002)	F	1
1.9	AQ0013797_9	Body (P017017)	F	1
1.10	AQ0013797_10	Shower (V013041S)	F	1
1.11	AQ0013797_11	Flex nylon 150 M15x1 (V019033)	-	1
1.12	AQ0013797_12	Flex M10x1 F15x1" 350mm (V019066)	-	1
1.13	AQ0013797_13	Flex M10x1 F15x1" 350mm (V019066)	-	1
1.13	AQ0013797_14	Flex M10x1 G3/8" 440mm (V019109) DVGW R	-	1
1.14	AQ0013797_15	Flex M10x1 G3/8" 440mm (V019110) DVGW R	-	1
1.15	AQ0013797_16	Gambo filettato standard Ø34x19F (P001020)	-	1
1.16	AQ0013797_17	Ghiera (V010006)	G	1
1.17	AQ0013797_18	Gasket Ø40.2x45.8x2 (V029055)	-	1
1.18	AQ0013797_19	Gasket Ø8x13.5x1.5 (V029003)	-	1
1.19	AQ0013797_20	Gasket (V029051)	-	1
1.20	AQ0013797_21	Insert (V013049)	-	1
1.21	AQ0013797_22	Gasket (V017008)	-	2
1.22	AQ0013797_23	Gasket 1.78x18.77 (T2-018) (V017020)	-	1
1.23	AQ0013797_24	Cover (V024025)	F	1
1.24	AQ0013797_25	Rinforzo sottolavello (V016015)	-	1
1.25	AQ0013797_26	Ring (V030011)	-	2
1.26	AQ0013797_27	Teflon Ø28 Ø22 H0.25 (P017066)	-	1
1.27	AQ0013797_28	flow valve Ø15	-	1
1.28	AQ0013797_29	M4x6 screw head screwdriver (P039081)	-	1
1.29	AQ0013797_30	Handle (P017068IK)	F	1
1.30	AQ0013797_31	Grano UNI5923 M5x5 p. piana A2 (V012011)	-	1
1.31	AQ0013797_32	Top Handle (P017069)	F	1
1.32	AQ0013797_33	Sottolappo cilindrico ST22.5 (V024002)	-	2
1.33	AQ0013797_34	Guarnizione con filtro 10X14X2.1 (3/8) (V038002)	-	2



WE ARE IB

WARRANTY

All IB Rubinetterie SpA products are warranted for 10 years from the date of purchase, for the following cases:

- Defects of casting, porosity and chrome plating.
- Operating defects caused by incorrect fabrication.

The warranty provides for repair or replacement of products with fabrication defects recognized by our technical office. There is no other type of compensation anche the merchandise must be returned FOB our warehouse. The warranty only cover surface defects (scartches, dings, etc.) on fitting that have not been installed and used, returned in its original packaging with all components. O-ring, gasket seals and components subject to wear proportional to use are warranted for 2 years.

The warranty is void in the following cases:

Error installing and putting the product into service.

Deterioration of finisched surfaces due to use of cleaning products containing acids or abrasive substances.

Deterioration of surface with finishes other than chrome plating. Their durability is, in fact, dependent on the user's care and gentleness of use.

Deterioration of the fitting due incorrect installation.

Improper repairs and maintenance performed without the company's prior authorization.

The warranty from IB Rubinetterie SpA is not renewable.

Cleaning

We recommended cleaning the finish surfaces with water and soap, using a soft cloth.

Do not use detergents that cointain hydrochloric acid or abrasive substances.