

Collection

Shower columns

Article

MA126

Description

Mixer shower column with square showerhead and hand shower.

Box Dimensions

1020x490x120 mm

Weight

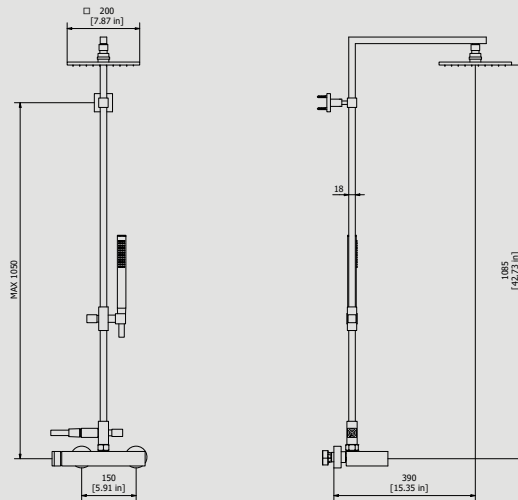
10.3 kg

Finishes

- **CC**
CHROME
- **CF**
BLACK CHROME
- **OO**
GOLD
- **BB**
ANTIQUÉ BRONZE
- **SS**
BRUSHED NICKEL
- **CS**
BRUSHED BLACK CHROME
- **BO**
MATT WHITE
- **NP**
MATT BLACK
- **IS**
BRUSHED PALE GOLD
- **OS**
BRUSHED GOLD
- **II**
PALE GOLD
- **RR**
ANTIQUÉ COPPER
- **ORS**
ROSE GOLD
- **ON**
NATURAL BRASS
- **SR**
BRUSHED ROSE GOLD
- **PL**
PLATINUM



Dimensions



Cartridge

Ceramic cartridge Ø35

Threaded fitting

G1/2" male

Aerator

Flow Rate (+/-10%)

1 BAR
10 l/min

2 BAR
15 l/min

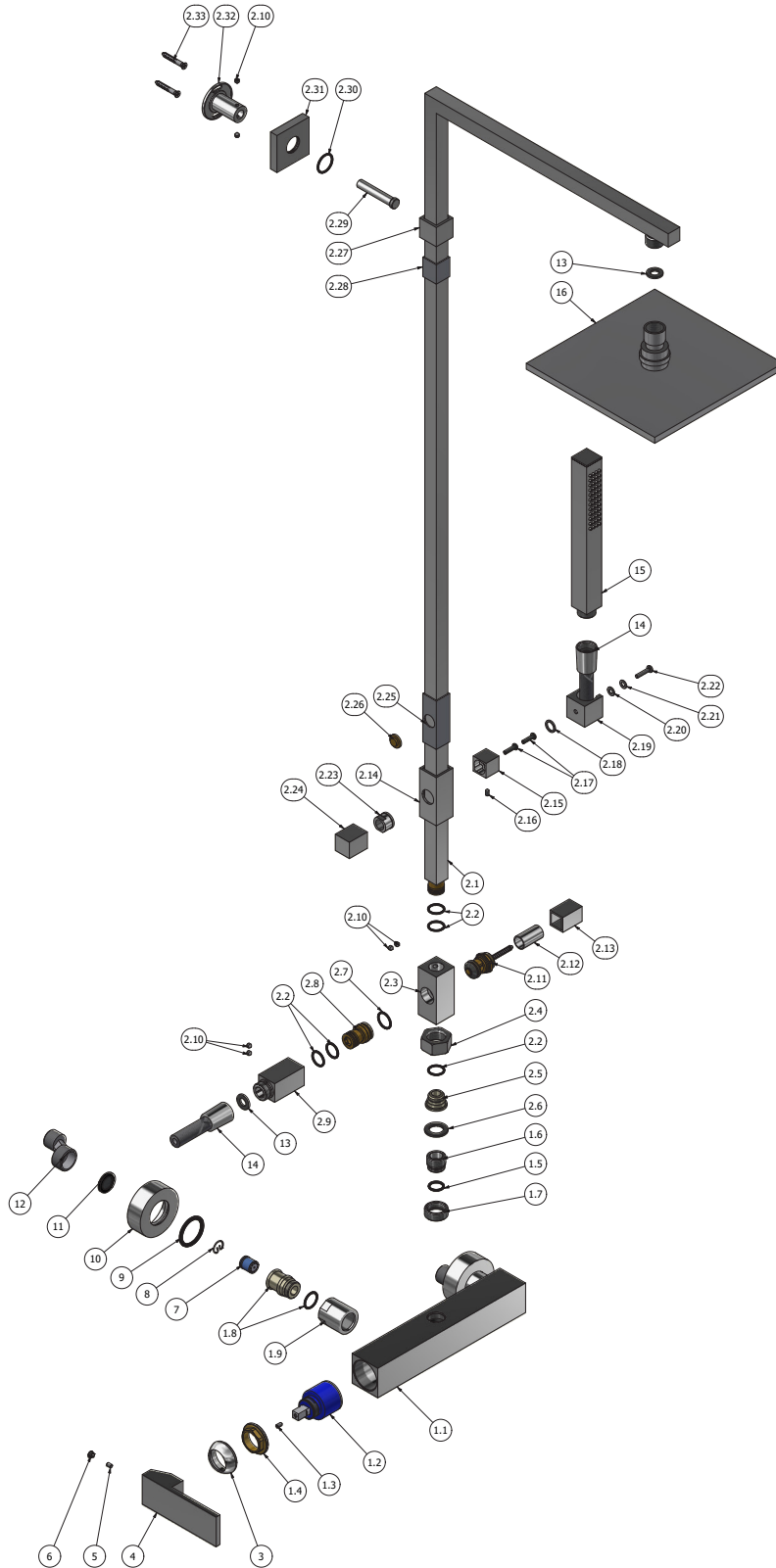
3 BAR
18 l/min

Production

Main body is a single casted pieces

Material

BRASS
According to CuZn35Pb2Al-B (CB752S)
Max Lead content: 1.36%



Parts list			
ITEMS	CODE	DESCRIPTION	FIN QTA
1	CPMA126CC-1	Preassembled external shower	- 1
1.1	ACQ0012006	Shower square mover body 40x40	F 1
1.2	AQ0004995	Ceramic cartridge Ø35 9x9 (K35A)	- 1
1.3	AQ0006649	Grubscrew M4x8 cone point	- 1
1.4	AQ0001040	Cartridge ring nut M37x1.5 H9	G 1
1.5	AQ0001390	OR 14x2 NBR 70 SH	- 1
1.6	ACQ001250	Shower connection piece 1/2" 19x1	F 1
1.7	ACQ001020	Reduction G3/4" G1/2"	F 1
1.8	CP10253XXN_1	Preassembled seal + OR	- 2
1.9	ACQ009990	Nut 3/4"G	F 2
2	AQ0013808	Square column with diverter	F 1
2.1	AQ0013808_1	18x18 shower arm	F 1
2.2	AQ0013808_2	OR 15.6x1.78 NBR 70 SH	- 5
2.3	AQ0013808_3	Diverter 28x28 H64	F 1
2.4	AQ0013808_4	Fixing nut G3/4" H15 CH30	F 1
2.5	AQ0013808_5	Threaded connection piece M18x1.5 L H15.8	N 1
2.6	AQ0013808_6	Gasket 24x16x2 G3/4"	- 1
2.7	AQ0013808_7	OR 17.16x1.78 NBR 70 SH	- 1
2.8	AQ0013808_8	Outlet insert	G 1
2.9	AQ0013808_9	Diverter outlet 25x25 G1/2"M	F 1
2.10	AQ0013808_10	Grubscrew M5x5 cone point	- 6
2.11	AQ0013808_11	Diverter	- 1
2.12	AQ0013808_12	Diverter cover tube Ø16	F 1
2.13	AQ0013808_13	Diverter handle 20x20	F 1
2.14	AQ0013808_14	Shower support 26x26 H65	F 1
2.15	AQ0013808_15	Hand shower holder 20x20 H20	F 1
2.16	AQ0013808_16	Grubscrew M4x8 cone point	- 1
2.17	AQ0013808_17	Stainless steel screw M4x15 TB lowered cross	- 2
2.18	AQ0013808_18	Teflon washer Ø14.5 Ø11 H1.5	- 1
2.19	AQ0013808_19	Shower support 28x28 H28	F 1
2.20	AQ0013808_20	Teflon washer Ø10.5 Ø5.5	- 1
2.21	AQ0013808_21	Stainless steel washer Ø10 Ø5.5	- 1
2.22	AQ0013808_22	Screw M4x20 ISO 7045	- 1
2.23	AQ0013808_23	Insert Ø18.5	F 1
2.24	AQ0013808_24	Square handle 22x22	F 1
2.25	AQ0013808_25	Shower support thickness 18x18	- 1
2.26	AQ0013808_26	Insert	G 1
2.27	AQ0013808_27	Fixing support 26x26 H26	F 1
2.28	AQ0013808_28	Shower support thickness 18x18	- 1
2.29	AQ0013808_29	Rod for fixing	F 1
2.30	AQ0013808_30	OR 20.35x1.78 NBR 70 SH	- 1
2.31	AQ0013808_31	Square rosette 50x50	F 1
2.32	AQ0013808_32	Fix insert	F 1
2.33	AQ0014252_33	Dowel fisher Ø5	- 2
3	AQ0012068	Chromed cover nut Ø38.2 M37x1.5	F 1
4	AQ0013277-T1	Zamack square handle 40x40x23.5x115	F 1
5	AQ0010981	Grubscrew M4x6 flat point	- 1
6	AQ0006650	Plug cover Ø7	F 1
7	AQ0009090	Not return valve Ø14 (31.4114.00001)	- 2
8	AQ0009678	Elastic ring AISI 302	- 2
9	AQ0009368	OR 29.75x3.53 NBR 70 SH	- 2
10	ACQ010020	Sliding rosette	F 2
11	AQ0010373	Rubber packing 3/4" H3 with filter	- 2
12	AQ0009886	Eccentric H.36	G 2
13	AQ0003080	Rubber G1/2"	- 2
14	AQ0018056	Flex snapon G1/2" F L150cm Silver	F 1
15	AQ0013639	Square hand shower OnAir	F 1
16	AQ0010130	Square shower head 200x200	F 1



WE ARE IB

WARRANTY

All IB Rubinetterie SpA products are warranted for 10 years from the date of purchase, for the following cases:

- Defects of casting, porosity and chrome plating.
- Operating defects caused by incorrect fabrication.

The warranty provides for repair or replacement of products with fabrication defects recognized by our technical office. There is no other type of compensation anche the merchandise must be returned FOB our warehouse. The warranty only cover surface defects (scartches, dings, etc.) on fitting that have not been installed and used, returned in its original packaging with all components. O-ring, gasket seals and components subject to wear proportional to use are warranted for 2 years.

The warranty is void in the following cases:

Error installing and putting the product into service.

Deterioration of finished surfaces due to use of cleaning products containing acids or abrasive substances.

Deterioration of surface with finishes other than chrome plating. Their durability is, in fact, dependent on the user's care and gentleness of use.

Deterioration of the fitting due incorrect installation.

Improper repairs and maintenance performed without the company's prior authorization.

The warranty from IB Rubinetterie SpA is not renewable.

Cleaning

We recommanded cleaning the finish surfaces with water and soap, using a soft cloth.

Do not use detergents that cointain hydrochloric acid or abrasive substances.