



WE ARE IB

Collection

MONAMOUR

Article

MA901

Description

Floor standing indoor/outdoor shower column with showerhead

Box Dimensions

1250x355x245 mm

Weight

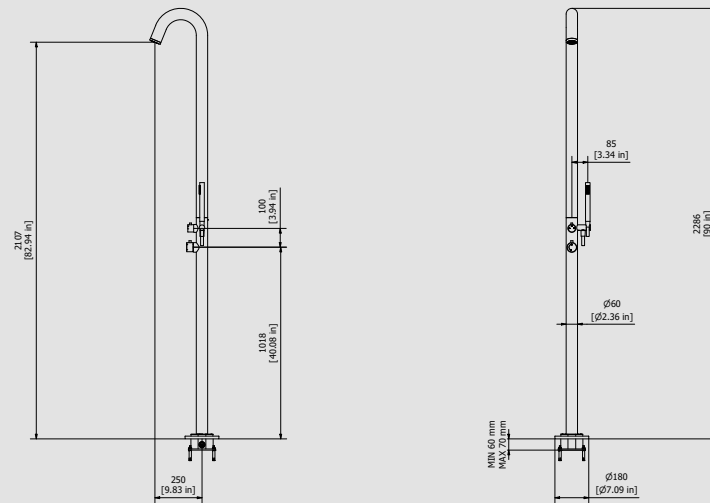
29 kg

Finishes

- CC**
CHROME
- PL**
PLATINUM
- SS**
BRUSHED
NICKEL
- ON**
NATURAL
BRASS
- BO**
MATT
WHITE
- NP**
MATT
BLACK
- CF**
BLACK
CHROME
- CS**
BRUSHED
BLACK
CHROME
- II**
PALE
GOLD
- IS**
BRUSHED
PALE GOLD
- RS**
ROSE
GOLD
- SR**
BRUSHED
ROSE GOLD
- OO**
GOLD
- OS**
BRUSHED
GOLD
- RR**
ANTIQUÉ
COPPER
- BB**
ANTIQUÉ
BRONZE



Dimensions



Cartridge

Ø35 / Ø25 ceramic cartridge

Hoses

Flex chromalux snapon G1/2" F L1500mm

Water outlet

Diffuser shower head - hand shower

Flow Rate (+/-10%)

**1 BAR
7 l/m**

**2 BAR
10 l/m**

**3 BAR
12 l/m**

Production

Main body is a single casted pieces

Material

**STAINLESS STEEL SATIN
AISI 316L**

IB RUBINETTERIE s.p.a
via dei Pianotti 3/5
25068 Sarezzo (BS) - Italy -

T. +39 030 802101
F. +39 030 803097
info@weareib.it

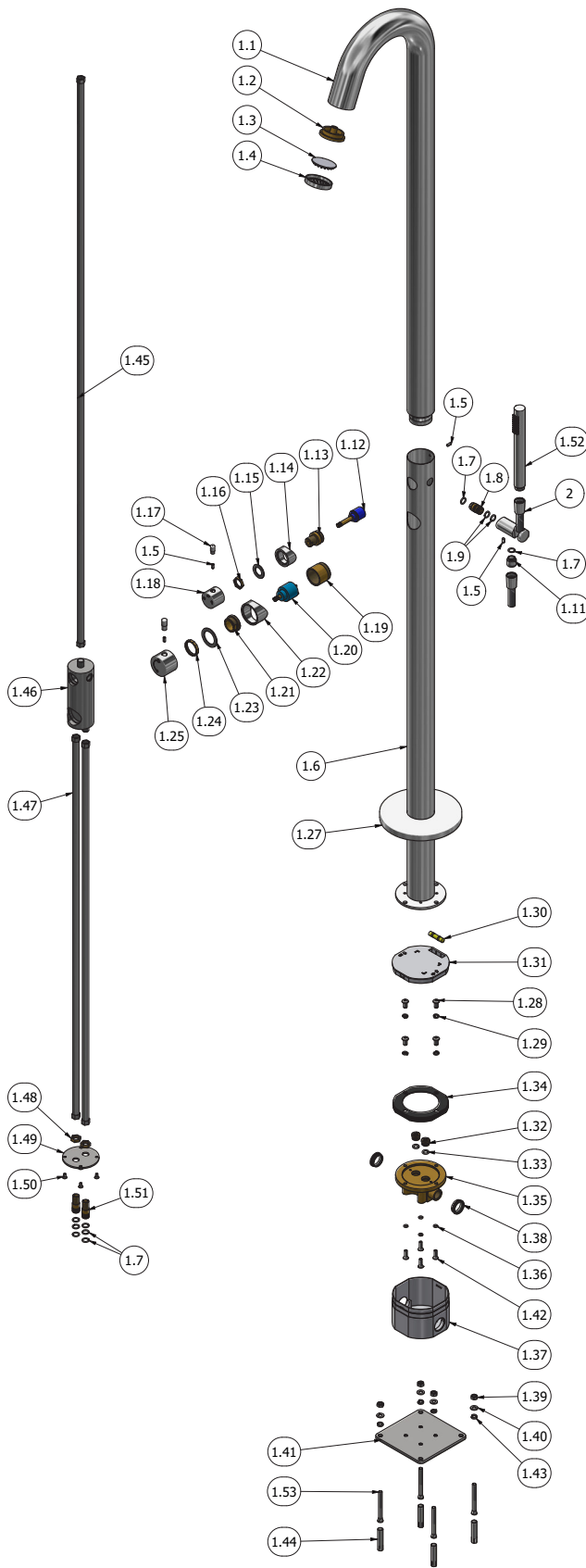
P.IVA 01785230986
capitale sociale
€420.000,00 i.v.

www.weareib.it





WE ARE IB



Parts list			
ITEMS	CODE	DESCRIPTION	FIN QTA
1	AQ0015645		1
1.1	AQ0015645_1	Upper tube	1
1.2	AQ0015645_2	Shower head support	1
1.3	AQ0015645_3	diffuser	1
1.4	AQ0015645_4	Diffuser port	1
1.5	AQ0015645_5	Grubscrew M5x10 cone point	4
1.6	AQ0015645_6	Bottom tube	1
1.7	AQ0015645_7	OR Ø12 X Ø2	8
1.8	AQ0015645_8	M16x1M L.29 fitting	1
1.9	AQ0015645_9	OR Ø12 X Ø2	2
1.10	AQ0015645_10	Shower support body	1
1.11	AQ0015645_11	Connection G1/2" M	1
1.12	AQ0015645_12	Cartridge Ø25.4 Ø8x Z20	1
1.13	AQ0015645_13	Fitting M28x1	1
1.14	AQ0015645_14	Ring Ø41	1
1.15	AQ0015645_15	Washer Ø33 Ø20 SP.2	1
1.16	AQ0015645_16	Nut M20x1.5F. H5	1
1.17	AQ0015645_17	Pin for diverter handle	1
1.18	AQ0015645_18	Diverter handle	1
1.19	AQ0015645_19	Insert Ø41.6 M40x1M	1
1.20	AQ0015645_20	Cartridge mix Ø34.5 Z-8x20	1
1.21	AQ0015645_21	Ring nut M37x1.25M x M32x1.5M	1
1.22	AQ0015645_22	Ring Ø51	1
1.23	AQ0015645_23	Washer Ø45.5 Ø32 sp.2	1
1.24	AQ0015645_24	Nut M32x1.5 H.6	1
1.25	AQ0015645_25	Mix handle	1
1.26	AQ0015645_26	Pin x handle mix	1
1.27	AQ0015645_27	Carter Ø180 Ø60.5 H15	1
1.28	AQ0015645_28	Screw M5 x 15	4
1.29	AQ0015645_29	Spring washer Ø12 Ø8.5 H4	4
1.30	AQ0015645_30	Level	1
1.31	AQ0015645_31	Base box cover	1
1.32	AQ0015645_32	Cap M18x1M H12	2
1.33	AQ0015645_33	OR Ø9.92 x Ø2.62	2
1.34	AQ0015645_34	Base gasket	1
1.35	AQ0015645_35	Base body	1
1.36	AQ0015645_36	OR Ø6 x Ø2	4
1.37	AQ0015645_37	Base box	1
1.38	AQ0015645_38	Gasket for attacks	2
1.39	AQ0015645_39	Nut M8 DIN 934	4
1.40	AQ0015645_40	Washer Ø8 UNI 6592	4
1.41	AQ0015645_41	Base plate	1
1.42	AQ0015645_42	Screw M6X20 DIN 7991	4
1.43	AQ0015645_43	Sprig vasher Ø13 Ø19 H4	4
1.44	AQ0015645_44	Fischer Ø12 H54	4
1.45	AQ0015645_45	Flex M14x1F. L.1500	1
1.46	AQ0015645_46	Internal body	1
1.47	AQ0015645_47	Flex M14x1F. L.1000	2
1.48	AQ0015645_48	Nut ch.19	2
1.49	AQ0015645_49	Base flange Ø80	1
1.50	AQ0015645_50	Screw M5 x 10 ISO 10642	4
1.51	AQ0015645_51	Flex connection Ø15.8	2
1.52	AQ0015645_52	Shower Ø24 L.205	1
2	AQ0018056	Flex snapon G1/2" F L.150cm Silver	F 1



WE ARE IB

WARRANTY

All IB Rubinetterie SpA products are warranted for 10 years from the date of purchase, for the following cases:

- Defects of casting, porosity and chrome plating.
- Operating defects caused by incorrect fabrication.

The warranty provides for repair or replacement of products with fabrication defects recognized by our technical office. There is no other type of compensation anche the merchandise must be returned FOB our warehouse. The warranty only cover surface defects (scartches, dings, etc.) on fitting that have not been installed and used, returned in its original packaging with all components. O-ring, gasket seals and components subject to wear proportional to use are warranted for 2 years.

The warranty is void in the following cases:

Error installing and putting the product into service.

Deterioration of finisched surfaces due to use of cleaning products containing acids or abrasive substances.

Deterioration of surface with finishes other than chrome plating. Their durability is, in fact, dependent on the user's care and gentleness of use.

Deterioration of the fitting due incorrect installation.

Improper repairs and maintenance performed without the company's prior authorization.

The warranty from IB Rubinetterie SpA is not renewable.

Cleaning

We recommended cleaning the finish surfaces with water and soap, using a soft cloth.

Do not use detergents that cointain hydrochloric acid or abrasive substances.