

Collection

MARMO

Article

MR022_1

Description

Duplex

Box Dimensions

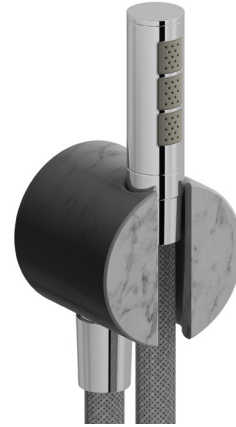
360x220x150 mm

Weight

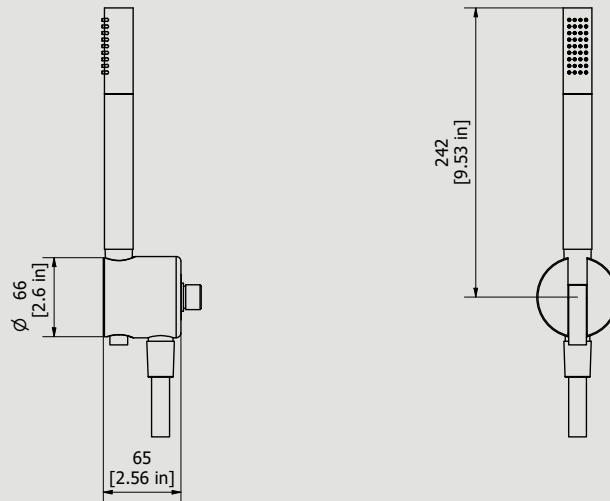
1.8 kg

Finishes

- **CC**
CHROME
- **CF**
BLACK CHROME
- **OO**
GOLD
- **MB**
MODERN BRONZE
- **SS**
BRUSHED NICKEL
- **CS**
BRUSHED BLACK CHROME
- **BO**
MATT WHITE
- **NP**
MATT BLACK
- **IS**
BRUSHED PALE GOLD
- **OS**
BRUSHED GOLD
- **II**
PALE GOLD
- **RR**
ANTIQUE COPPER
- **RS**
ROSE GOLD
- **ON**
NATURAL BRASS
- **SR**
BRUSHED ROSE GOLD
- **PL**
PLATINUM



Dimensions



Cartridge

Treaded fitting

Treaded fitting G1/2" male

Aerator

Flow Rate (+/-10%)

1 BAR
13.9 l/min

2 BAR
19.8 l/min

3 BAR
24.5 l/min

Production

Main body is a machined from a solid pieces

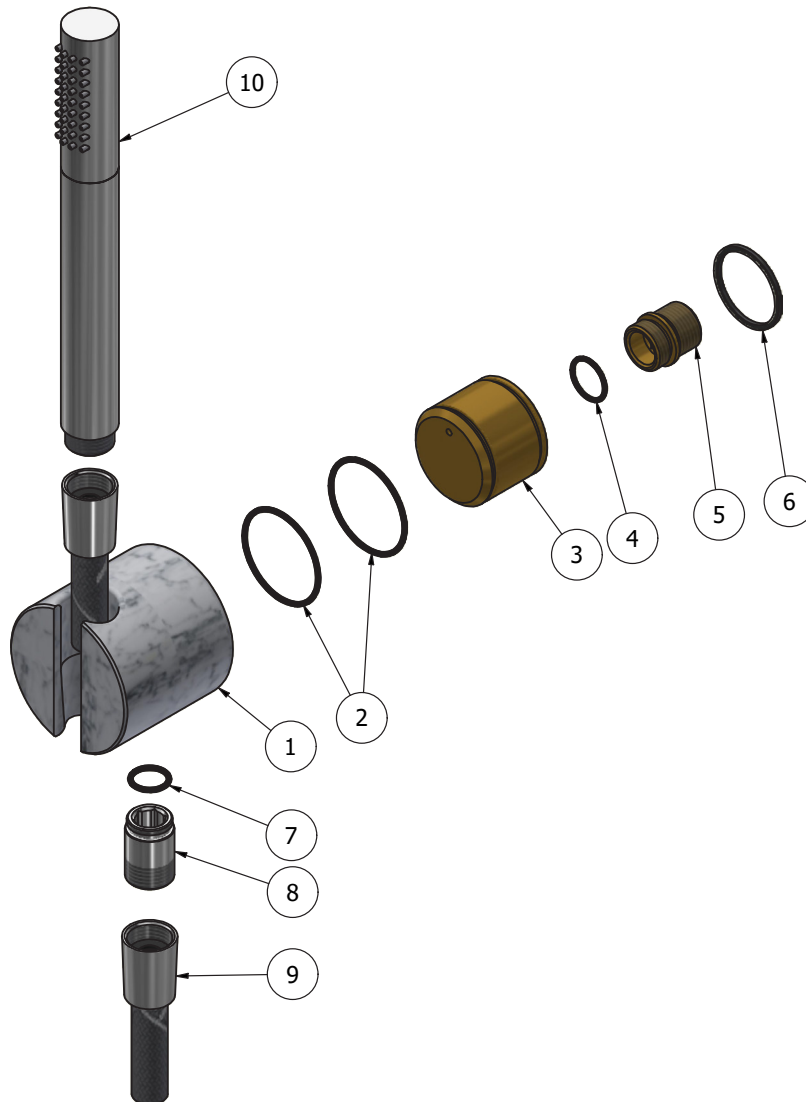
Material

BRASS
According to CuZn39Pb3 (CB614N)
Max Lead content: 2.5%



WE ARE IB

Parts list				
ITEMS	CODE	DESCRIPTION	FIN	QTÀ
1	AQ0014944	Marble cover hand shower's support Ø68 H65	-	1
2	AQ0013363	OR 41x2 NBR 70 SH	-	2
3	AS0012531	Insert Ø44.9 H35	G	1
4	AQ0004630	OR 17.16x1.78 NBR 70 SH	-	1
5	AS0012388	Nipple G1/2" G1/2" H26	G	1
6	AQ0010274	Rubber packing Ø38x33.5x2	-	1
7	AQ0001390	OR 14x2 NBR 70 SH	-	1
8	AC0012530	Shower connection piece 1/2" M19x1 H30.2	F	1
9	AQ0018056	Flex snapon G1/2" F L150cm Silver	F	2
10	AQ0013557	Onair hand shower	F	1





WE ARE IB

WARRANTY

All IB Rubinetterie SpA products are warranted for 10 years from the date of purchase, for the following cases:

- Defects of casting, porosity and chrome plating.
- Operating defects caused by incorrect fabrication.

The warranty provides for repair or replacement of products with fabrication defects recognized by our technical office. There is no other type of compensation anche the merchandise must be returned FOB our warehouse. The warranty only cover surface defects (scatches, dings, etc.) on fitting that have not been installed and used, returned in its original packaging with all components. O-ring, gasket seals and components subject to wear proportional to use are warranted for 2 years.

The warranty is void in the following cases:

Error installing and putting the product into service.

Deterioration of finished surfaces due to use of cleaning products containing acids or abrasive substances. Deterioration of surface with finishes other than chrome plating. Their durability is, in fact, dependent on the user's care and gentleness of use.

Deterioration of the fitting due incorrect installation.

Improper repairs and maintenance performed without the company's prior authorization.

The warranty from IB Rubinetterie SpA is not renewable.

Cleaning

We recommended cleaning the finish surfaces with water and soap, using a soft cloth.

Do not use detergents that contain hydrochloric acid or abrasive substances.

