

Collection

MARMO

Article

MR396_1

Description

Five holes bath filler with diverter and handshower

Box Dimensions

685 x 345 x 168 mm

Weight

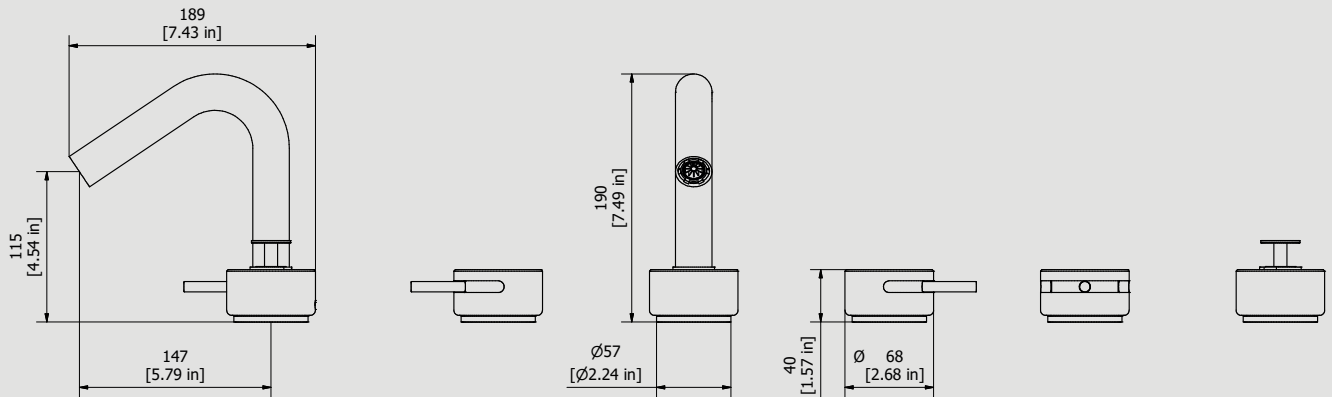
7.2 kg

Finishes

- **CC**
CHROME
- **CF**
BLACK CHROME
- **OO**
GOLD
- **BB**
ANTIQUE BRONZE
- **SS**
BRUSHED NICKEL
- **CS**
BRUSHED BLACK CHROME
- **BO**
MATT WHITE
- **NP**
MATT BLACK
- **IS**
BRUSHED PALE GOLD
- **OS**
BRUSHED GOLD
- **II**
PALE GOLD
- **RR**
ANTIQUE COPPER
- **RS**
ROSE GOLD
- **ON**
NATURAL BRASS
- **SR**
BRUSHED ROSE GOLD
- **PL**
PLATINUM



Dimensions



Cartridge

G1/2" ceramic headworks

Treaded fitting

Treaded fitting G1/2" male

Aerator

M24x1

Flow Rate (+/-10%)

**1 BAR
13 l/min**

**2 BAR
18.8 l/min**

**3 BAR
23.1 l/min**

Production

Main body is a machined from a solid pieces

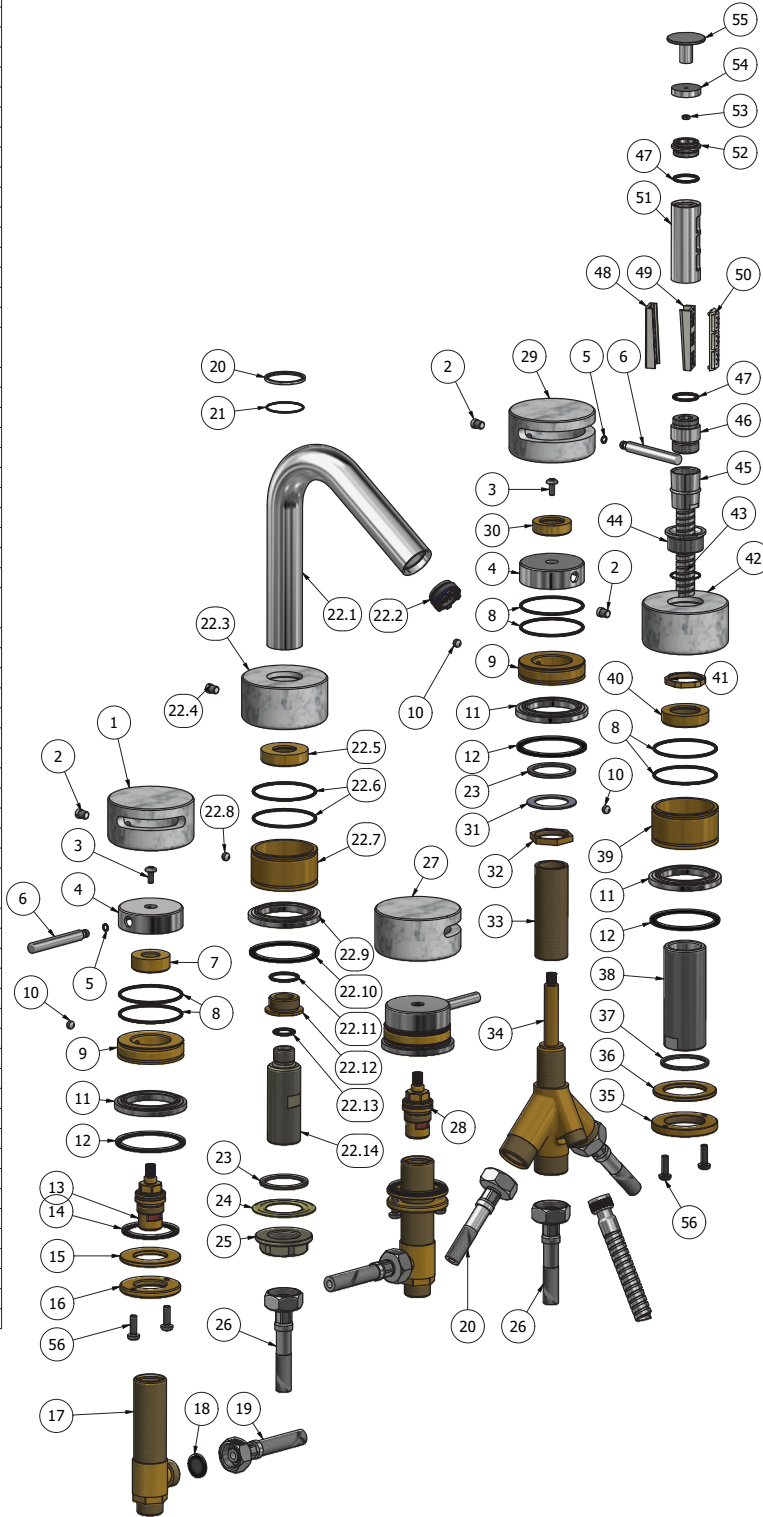
Material

BRASS
According to CuZn39Pb3 (CW614N)
Max Lead content: 2.5%



WE ARE IB

Elenco parti			
ELEM.	CODICE	NUMERO DI MAGAZZINO	QTÀ
1	AQ0014839	Marble cover Ø68 H35 left	1
2	AQ0015557	Screw Ø7.1 M6 H9 white	4
3	AQ0002160	Screw M4x10	3
4	AC0012459	Handle Ø51 H15.5	3
5	AQ0010327	OR 4x1 NBR 70 SH	3
6	AC0012453	Rod Ø8 M6 H63	3
7	AS0012451	Insert fo fixed Ø30.3 H11 M24x1	2
8	AQ0001450	OR 47.37x1.78 NBR 70 SH	8
9	AS0012454	Base for handle Ø52.4 H13	3
10	AQ0013370	Grubscrew M6x5 cone point	4
11	AC0012458	Base Ø57 H6.8 Ø39	4
12	AQ0011028	Flat gasket Ø55 Ø47 H2	4
13	AQ0002135	Ceramic headwork 90° left	1
14	AQ0008013	Rubber packing 45x35x2	2
15	AS0010697	Washer Ø48 x Ø26.5 x3	2
16	AS0010698	Ring nut W26x19	2
17	AS0002250	Washbasin upright W26x19	2
18	AQ0010360	Rubber packing 1/2" H2 with filter	2
19	AQ0009553	Flessibile inox G1/2" F G3/4" F L600	2
20	AC0012590	Ring Ø32 Ø28.4 H2	1
21	AQ0015102	OR 28x1 NBR 70 SH	1
22	CPMR396CC-1	Preassembled spout out	1
22.1	AC0012493	Spout Ø28 H172	1
22.2	AQ0010587	Perlator cahcè M24x1 antisplash (40.9300.010)	1
22.3	AQ0014927	Marble spout's cover Ø68 H35 Ø28.3	1
22.4	AQ0015557	Screw Ø7.1 M6 H9 white	1
22.5	AS0012495	Inserto fissaggio Ø37.3 H9.5 G3/4"	1
22.6	AQ0001450	OR 47.37x1.78 NBR 70 SH	2
22.7	AS0012452	Base Ø52 H28	1
22.8	AQ0013370	Grubscrew M6x5 cone point	1
22.9	AC0012458	Base Ø57 H6.8 Ø39	1
22.10	AQ0011028	Flat gasket Ø55 Ø47 H2	1
22.11	AQ0001400	OR 20.35x1.78 NBR 70 SH	1
22.12	AS0012496	Reduction Ø30 M24x1 G3/8" H12	1
22.13	AQ0009818	OR 14x1.78 NBR 70 SH	1
22.14	AN0010971	Threaded fixing stem G3/4" G3/8" H76 with seat valve	1
23	AQ0009716	Rubber packing 38x30x2	2
24	AQ0000880	Inox steel flange 18/8 Ø50x29	1
25	AN0009900	Flange 3/4" H.13	1
26	AQ0012033	Flessibile inox G3/4" F G3/4" F L600	1
27	AQ0014842	Marble cover Ø68 H35 right	1
28	AQ0003930	Ceramic headwork 90° right	1
29	AQ0014929	Marble diverter's cover Ø68 H35 180°	1
30	AS0012497	Insert fo fixed Ø30.3 H8.5 16x19	1
31	AQ0001650	Inox washer 39x26.5x1	1
32	AS0002010	Clamping nut 26 x 19 H5 CH30	1
33	AQ0012031	Extension for diverter 26X19"	1
34	AQ0012030	Diverter 2 inlet / 2 outlet with stop (2950)	1
35	AS0010658	Ring nut with screwed holes Ø52 M33x1.5 H6	1
36	AS0010659	Brass ring Ø50x35.5x3	1
37	AQ0010274	Rubber packing Ø38x33.5x2	1
38	AS0012498	Handshower support M33x1.5 H82	1
39	AS0012452	Base Ø52 H28	1
40	AS0012499	Insert for fixed Ø37.3 H9.5 M33x1.5	1
41	AS0012500	Hexagonal nut 38 M28x1.5 H4	1
42	AQ0014927	Marble spout's cover Ø68 H35 Ø28.3	1
43	AQ0009982	OR 22x1 NBR 70 SH	1
44	AC0012501	Insert Ø32 M28x1.5 H15	1
45	AQ0017134	Terminal d/agg G3/8" F G1/2" cono L150	1
46	AC0010699	Connection piece for hose	1
47	AQ0004630	OR 17.16x1.78 NBR 70 SH	2
48	AQ0013936	ABS gasket support	1
49	AQ0013935	ABS gasket support	1
50	AQ0013934	Gasket	1
51	AC0011852	Hand shower body Ø32 H62	1
52	AC0010528	Plug M20x1 H11	1
53	AQ0014934	Nut M3 DIN 934	1
54	AC0010529	Upper plug hand shower	1
55	AC0012509	Knob for hand shower Ø30 H20	1
56	AQ0010358	Inox screw M5x16 ISO 7045	6





WE ARE IB

WARRANTY

All IB Rubinetterie SpA products are warranted for 10 years from the date of purchase, for the following cases:

- Defects of casting, porosity and chrome plating.
- Operating defects caused by incorrect fabrication.

The warranty provides for repair or replacement of products with fabrication defects recognized by our technical office. There is no other type of compensation anche the merchandise must be returned FOB our warehouse. The warranty only cover surface defects (scartches, dings, etc.) on fitting that have not been installed and used, returned in its original packaging with all components. O-ring, gasket seals and components subject to wear proportional to use are warranted for 2 years.

The warranty is void in the following cases:

Error installing and putting the product into service.

Deterioration of finished surfaces due to use of cleaning products containing acids or abrasive substances.

Deterioration of surface with finishes other than chrome plating. Their durability is, in fact, dependent on the user's care and gentleness of use.

Deterioration of the fitting due incorrect installation.

Improper repairs and maintenance performed without the company's prior authorization.

The warranty from IB Rubinetterie SpA is not renewable.

Cleaning

We recommanded cleaning the finish surfaces with water and soap, using a soft cloth.

Do not use detergents that cointain hydrochloric acid or abrasive substances.