



WE ARE IB

Collection

MILANO TORINO

Article

MT203

Description

Tall mini monohole washbasin mixer.



Box Dimensions

370x270x80 mm

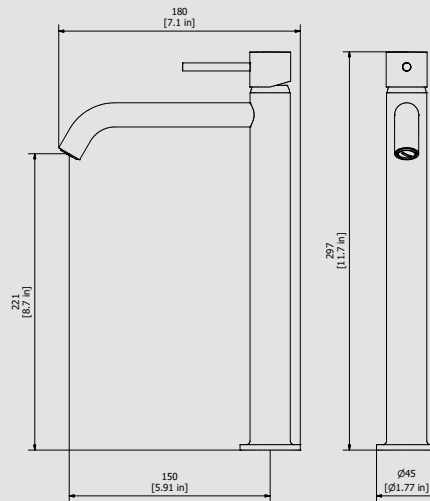
Weight

1.8 kg

Finishes

- **CC**
CHROME
- **PL**
PLATINUM
- **SS**
BRUSHED
NICKEL
- **ON**
NATURAL
BRASS
- **BO**
MATT
WHITE
- **NP**
MATT
BLACK
- **CF**
BLACK
CHROME
- **CS**
BRUSHED
BLACK
CHROME
- **II**
PALE
GOLD
- **IS**
BRUSHED
PALE GOLD
- **RS**
ROSE
GOLD
- **SR**
BRUSHED
ROSE GOLD
- **OO**
GOLD
- **OS**
BRUSHED
GOLD
- **RR**
ANTIQUÉ
COPPER
- **MB**
MODERN
BRONZE

Dimensions



Cartridge

Ø25 ceramic cartridge

Threaded fitting

Inox hoses G3/8" female 450 mms long

Aerator

M16.5x1

Flow Rate (+/-10%)

1 BAR	2 BAR	3 BAR
3 l/m	3.8 l/m	3.8 l/m

Production

Main body is a single casted pieces

Material

BRASS
According to CuZn42 (CW510L)
Max Lead content: 0.2%

IB RUBINETTERIE s.p.a
via dei Pianotti 3/5
25068 Sarezzo (BS) - Italy -

T. +39 030 802101
F. +39 030 803097
info@weareib.it

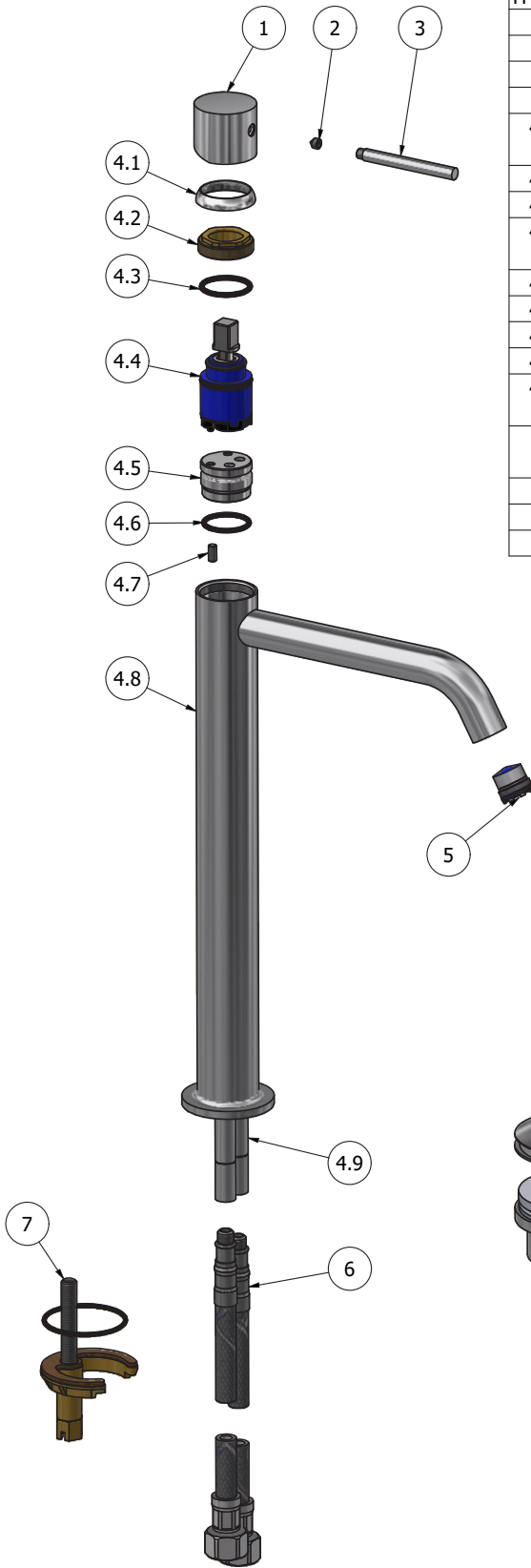
P.IVA 01785230986
capitale sociale
€420.000,00 i.v.

www.weareib.it





WE ARE IB



Parts list				
ITEMS	CODE	DESCRIPTION	FIN	QTÀ
1	AC0010662-TI	Handle Ø30.5 H26	F	1
2	AQ0009729	Grubscrew M5x5 cone point	-	1
3	AC0012396	Rod Ø6 H55 M5x0.8	F	1
4	CPMT203CC-1	Preassembled mini tall basin mixer		1
4.1	AC0010663	Cartridge fixing nut chrome cover M27x1 H5,6	F	1
4.2	AS0010664	Cartridge fixing nut M27x1 H8	G	1
4.3	AQ0013792	OR 21.5x2.1 NBR 70 SH	-	1
4.4	AQ0016764	Cartridge Ø25 open 9x9 (KH25OPS A4US)	-	1
4.5	AN0011859	Connection piece Ø24.9x17.5	N	1
4.6	AQ0013635	OR 20x2 NBR 70 SH	-	1
4.7	AQ0006921	Grubscrew M4x8 flat point	-	1
4.8	AQ0014248	Mixer body Ø30 H266.5		1
4.9	AN0011297	Extension pipe Ø10 M8x1 M M8x1 F L270	N	2
5	AQ0014147	Perlator PCA cachè laminar 1 GPM (44.3358.010)	-	1
6	AQ0011013	Flex inox M8x1 G3/8" L450	-	2
7	AQ0010505	Fixing set	-	1
8	AQ0009837	Simple rapid waste 1"1/4	F	1



WE ARE IB

WARRANTY

All IB Rubinetterie SpA products are warranted for 10 years from the date of purchase, for the following cases:

- Defects of casting, porosity and chrome plating.
- Operating defects caused by incorrect fabrication.

The warranty provides for repair or replacement of products with fabrication defects recognized by our technical office. There is no other type of compensation anche the merchandise must be returned FOB our warehouse. The warranty only cover surface defects (scartches, dings, etc.) on fitting that have not been installed and used, returned in its original packaging with all components. O-ring, gasket seals and components subject to wear proportional to use are warranted for 2 years.

The warranty is void in the following cases:

Error installing and putting the product into service.

Deterioration of finished surfaces due to use of cleaning products containing acids or abrasive substances. Deterioration of surface with finishes other than chrome plating. Their durability is, in fact, dependent on the user's care and gentleness of use.

Deterioration of the fitting due incorrect installation.

Improper repairs and maintenance performed without the company's prior authorization.

The warranty from IB Rubinetterie SpA is not renewable.

Cleaning

We recommended cleaning the finish surfaces with water and soap, using a soft cloth.

Do not use detergents that cointain hydrochloric acid or abrasive substances.