

Collection

MILANO TORINO

Article

MT398

Description

Two ways wall shower mixer with spout.

Built-in body to be purchased separately INC313

Box Dimensions

470x290x160 mm

Weight

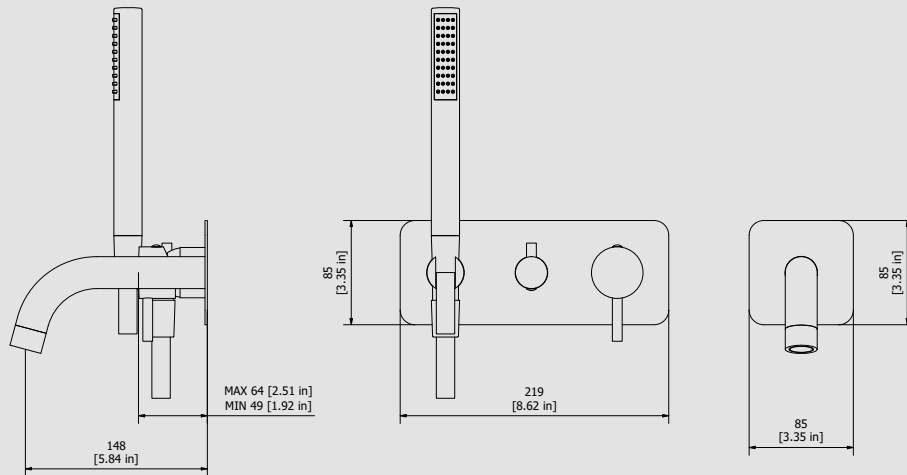
5 kg

Finishes

- **CC**
CHROME
- **PL**
PLATINUM
- **SS**
BRUSHED
NICKEL
- **ON**
NATURAL
BRASS
- **BO**
MATT
WHITE
- **NP**
MATT
BLACK
- **CF**
BLACK
CHROME
- **CS**
BRUSHED
BLACK
CHROME
- **II**
PALE
GOLD
- **IS**
BRUSHED
PALE GOLD
- **RS**
ROSE
GOLD
- **SR**
BRUSHED
ROSE GOLD
- **OO**
GOLD
- **OS**
BRUSHED
GOLD
- **RR**
ANTIQUÉ
COPPER
- **MB**
MODERN
BRONZE



Dimensions



Cartridge

Ø35 ceramic cartridge

Hoses

Flex snapon G1/2" F L150cm

Aerator

M24x1

Flow Rate (+/-10%)

1 BAR	2 BAR	3 BAR
10 l\m	14 l\m	17.2 l\m

Production

Main body is a machined from a solid pieces

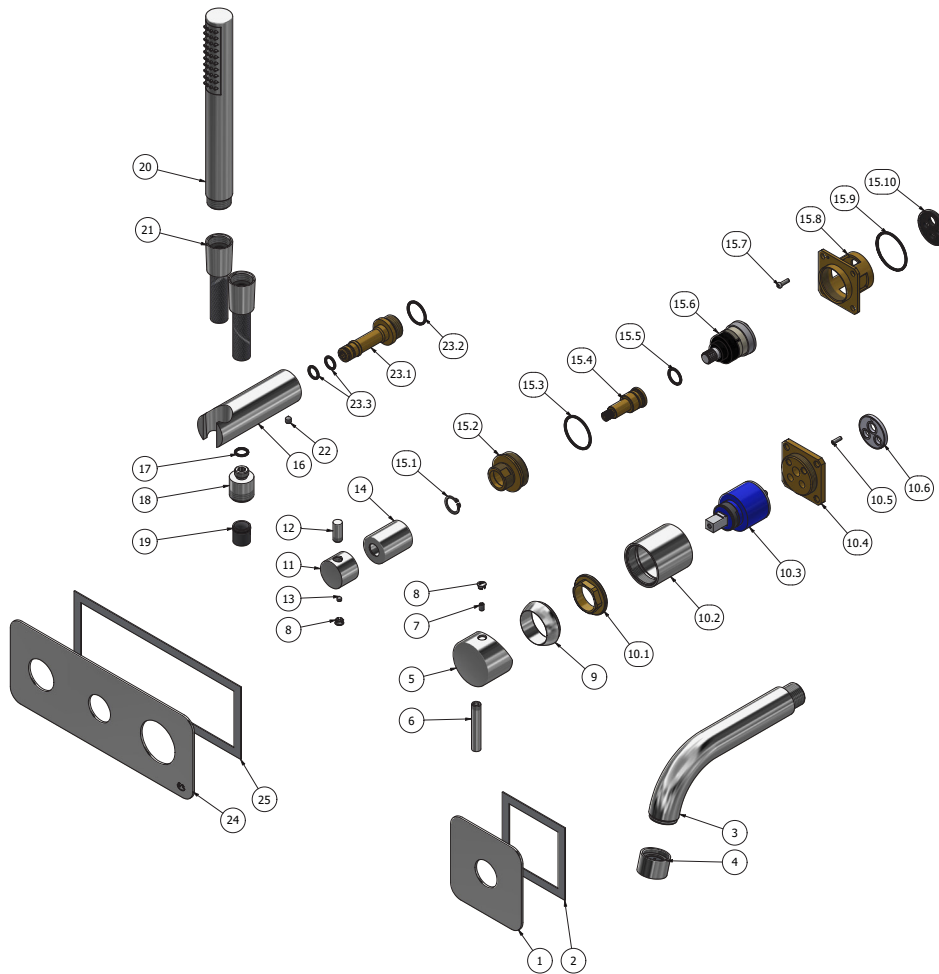
Material

BRASS
According to CuZn39PB3 (CW614N)
Max Lead content: 2.5%



WE ARE IB

Parts list			
ITEMS	CODE	DESCRIPTION	FIN QTA
1	AC0017933-TI	Plate 85x85x2 Ø26.5	F 1
2	AQ0015829	Rubber packing double-sided tape 75x75x8x1	- 1
3	AC0012558	Spout-out Ø26 L145	F 1
4	AQ0015036	Aerator Ø26 H17 M24x1 flow sraightener (40.9100.33301)	F 1
5	AC0011351	Handle Ø42 H30	F 1
6	AC0014230	Rod Ø8 H47 M8x1.25	F 1
7	AC0001081	Grubscrew M4x6 flat point	- 1
8	AQ0006650	Plug cover Ø7	F 2
9	AQ0003630	Cartridge ring nut cover M37x1.5	F 1
10	CPIN206CC-19	Mixer 47x47 x recessed	- 1
10.1	AQ0001040	Cartridge ring nut M37x1.5 H9	G 1
10.2	AC0010445	Recessed ring Ø41 M37x1.5 H40.7	F 1
10.3	AQ0004095	Ceramic cartridge Ø35 9x9 (K35A)	- 1
10.4	AS0013040	Insert 47x47 H11 M37x1.5	G 1
10.5	AQ0015357	Grubscrew M3x10 flat point	- 1
10.6	AQ0015684	Gasket Ø31 H3.5 Ø7 Ø7.5	- 1
11	AC0011372	Diverter's knob Ø26 H20	F 1
12	AC0007092	Handle knob M8 H19	F 1
13	AQ0001082	Grubscrew M4x4 cone point	- 1
14	AC0013054	Ring Ø26 M22x1 F H33	F 1
15	CPDEV2VCCXN 1	90° built-in 2-way diverter 48x48 z8x20	- 1
15.1	AQ0015745	Seeger ring Ø14 H1	- 1
15.2	AS0013050	Junction M32x1 M22x1 H23	G 1
15.3	AQ0010597	OR 28.3x1.78 NBR 70 SH	- 1
15.4	AS0013048	Rod Ø17.9 H42.4	G 1
15.5	AQ0004610	OR 12.42x1.78 NBR 70 SH	- 1
15.6	AQ0017450	Cartridge dev.2 outputs 90°	- 1
15.7	AQ0012206	Inox screw M3x10	- 1
15.8	AS0013047	Insert 47x47x32	G 1
15.9	AQ0008026	OR 33.05x1.78 NBR 70 SH	- 1
15.10	AQ0015686	Rubber Ø32 H4	- 1
16	AC0013053	Hand shower's support Ø30 L94.8	F 1
17	AQ0001340	OR 8.73x1.78 NBR 70 SH	- 1
18	AC0013052	Reduction G1/2" M M12x1 M H20.5	F 1
19	AQ0013247	Flow reduction+CV Ø15 4L	- 1
20	AQ0012085	Shower Ø23 H196	F 1
21	AQ0018056	Flex snapon G1/2" F L150cm Silver	F 1
22	AQ0014670	Grubscrew M5x6 cone point	- 1
23	CP13051XXN 1	Preassembled insert	- 1
23.1	AS0018164	Bayonet coupling G1/2" M H62.5	G 1
23.2	AQ0004640	OR 18.77x1.78 NBR 70 SH	- 1
23.3	AQ0004180	OR 9.25x1.78 NBR 70 SH	- 2
24	AQ0014139-TI	Plate 219x85x2 with logo	F 1
25	AQ0014142	Rubber packing double-sided tape 200x75x8x1	- 1



IB RUBINETTERIE s.p.a
via dei Pianotti 3/5
25068 Sarezzo (BS) - Italy -

T. +39 030 802101
F. +39 030 803097
info@weareib.it

P.IVA 01785230986
capitale sociale
€420.000,00 i.v.

www.weareib.it





WE ARE IB

WARRANTY

All IB Rubinetterie SpA products are warranted for 10 years from the date of purchase, for the following cases:

- Defects of casting, porosity and chrome plating.
- Operating defects caused by incorrect fabrication.

The warranty provides for repair or replacement of products with fabrication defects recognized by our technical office. There is no other type of compensation anche the merchandise must be returned FOB our warehouse. The warranty only cover surface defects (scartches, dings, etc.) on fitting that have not been installed and used, returned in its original packaging with all components. O-ring, gasket seals and components subject to wear proportional to use are warranted for 2 years.

The warranty is void in the following cases:

Error installing and putting the product into service.

Deterioration of finisched surfaces due to use of cleaning products containing acids or abrasive substances.

Deterioration of surface with finishes other than chrome plating. Their durability is, in fact, dependent on the user's care and gentleness of use.

Deterioration of the fitting due incorrect installation.

Improper repairs and maintenance performed without the company's prior authorization.

The warranty from IB Rubinetterie SpA is not renewable.

Cleaning

We recommended cleaning the finish surfaces with water and soap, using a soft cloth.

Do not use detergents that cointain hydrochloric acid or abrasive substances.