



WE ARE IB

Collection

SOHO WOOD

Article

OL392

Description

Three holes washbasin set with low spout.

Box Dimensions

370x270x80 mm

Weight

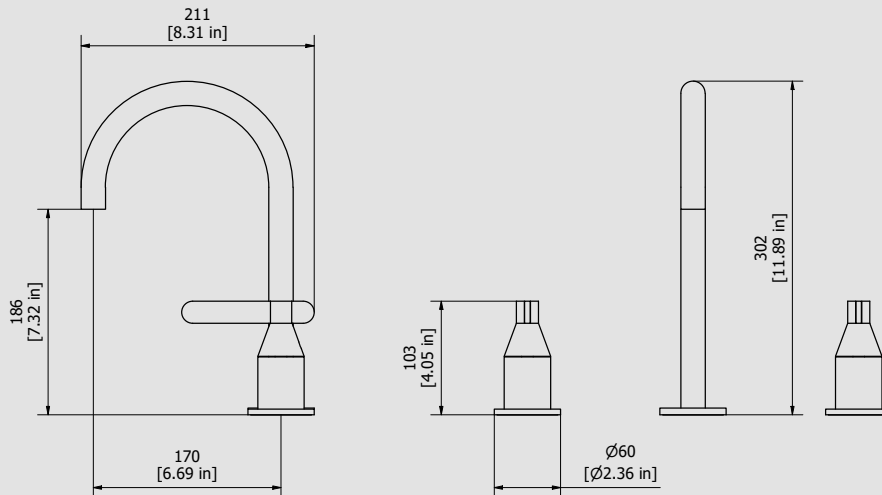
3 kg

Finishes

- CC**
CHROME
- PL**
PLATINUM
- SS**
BRUSHED
NICKEL
- ON**
NATURAL
BRASS
- BO**
MATT
WHITE
- NP**
MATT
BLACK
- CF**
BLACK
CHROME
- CS**
BRUSHED
BLACK
CHROME
- II**
PALE
GOLD
- IS**
BRUSHED
PALE GOLD
- RS**
ROSE
GOLD
- SR**
BRUSHED
ROSE GOLD
- OO**
GOLD
- OS**
BRUSHED
GOLD
- RR**
ANTIQUÉ
COPPER
- MB**
MODERN
BRONZE



Dimensions



Cartridge

Ceramic headwork 90°

Treaded fitting

Flex inox M10x1 G1/2" F L400 DN8

Aerator

M16.5x1

Flow Rate (+/-10%)

1 BAR
3 l/m

2 BAR
3.8 l/m

3 BAR
3.8 l/m

Production

Main body is a machined from a solid pieces

Material

BRASS
According to CuZn39PB3 (CW614N)
Max Lead content: 2.5%

IB RUBINETTERIE s.p.a
via dei Pianotti 3/5
25068 Sarezzo (BS) - Italy -

T. +39 030 802101
F. +39 030 803097
info@weareib.it

P.IVA 01785230986
capitale sociale
€420.000,00 i.v.

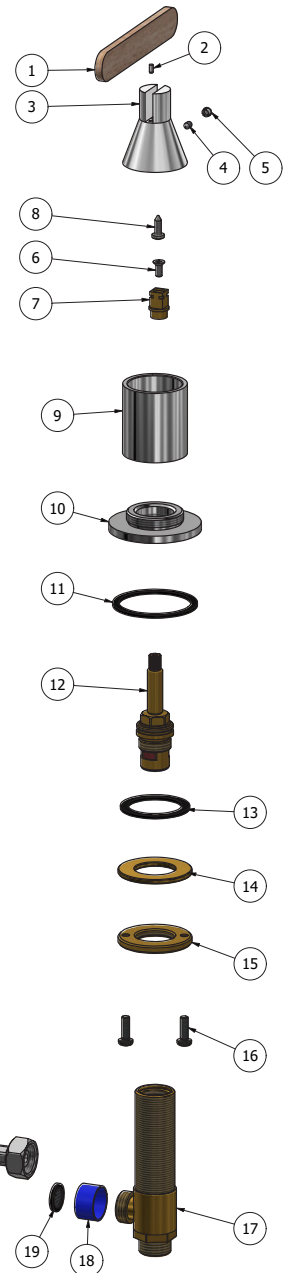
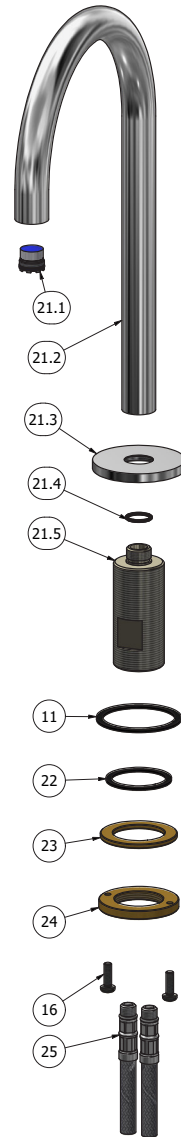
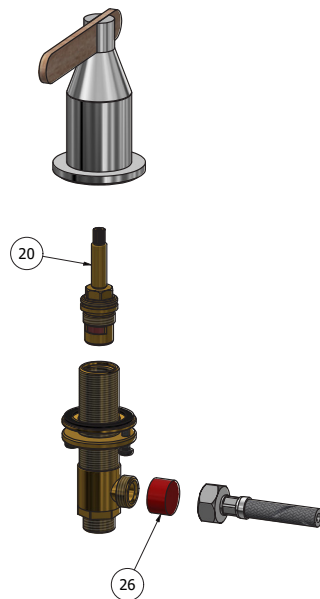
www.weareib.it





WE ARE IB

Parts list				
ITEMS	CODE	DESCRIPTION	FIN	QTA
1	AQ0018162	Handle 20 L120 H5	-	2
2	AQ0012230	Stainless stell pin Ø2.5x6	-	2
3	AC0018159	Handle Ø42 Ø20 H50	F	2
4	AQ0010444	Grubscrew M4x6 cone point	-	2
5	AQ0012203	Plug	F	2
6	AQ0013743	Inox screw M4X10 DIN 965	-	2
7	AS0018193	Insert 9x9 Ø13 Ø7.6 Z40 H18	G	2
8	AQ0018180	Self-tapping screw Ø4 L12 DIN 7505-B	-	2
9	AC0018155	Ring Ø42 M37x1.5 H47.3	F	2
10	AC0018157	Reduction M37x1.5 26x19 H13	F	2
11	AQ0011028	Flat gasket Ø55 Ø47 H2	-	3
12	AQ0010528	Ceramic headwork 90° DX H38.5 8x20	-	1
13	AQ0008013	Rubber packing 45x35x2	-	2
14	AS0010697	Washer Ø48 x Ø26.5 x3	G	2
15	AS0010698	Ring nut W26x19	G	2
16	AQ0010358	Inox screw M5x16 ISO 7045	-	6
17	AS0002250	Washbasin upright W26x19	G	2
18	AQ0015329	Blue plug G1/2"	-	1
19	AQ0010360	Rubber packing 1/2" H2 with filter	-	2
20	AQ0010529	Ceramic headwork 90° SX H38.5 8x20	-	1
21	CPOH392CCN_1	Preassembled spout Ø22 M33x1.5	-	1
21.1	AQ0014147	Perlator PCA cachè laminar 1 GPM (44.3358.010)	-	1
21.2	AC0016652	Spout Ø22 int. 170 H180 L296	F	1
21.3	AC0018168	Base Ø60 H6 M33x1.5	F	1
21.4	AQ0009818	OR 14x1.78 NBR 70 SH	-	1
21.5	AN0012449	Threaded stem M33x1.5 M16x1 H80	N	1
22	AQ0008012	Plane seal Ø42.5x35.5x2	-	1
23	AS0010659	Brass ring Ø50x35.5x3	G	1
24	AS0010658	Ring nut with screwed holes Ø52 M33x1.5 H6	G	1
25	AQ0010273	Flex inox M10x1 G1/2" F L400 DN8	-	2
26	AQ0015328	Red plug G1/2"	-	1





WE ARE IB

WARRANTY

All IB Rubinetterie SpA products are warranted for 10 years from the date of purchase, for the following cases:

- Defects of casting, porosity and chrome plating.
- Operating defects caused by incorrect fabrication.

The warranty provides for repair or replacement of products with fabrication defects recognized by our technical office. There is no other type of compensation anche the merchandise must be returned FOB our warehouse. The warranty only cover surface defects (scartches, dings, etc.) on fitting that have not been installed and used, returned in its original packaging with all components. O-ring, gasket seals and components subject to wear proportional to use are warranted for 2 years.

The warranty is void in the following cases:

Error installing and putting the product into service.

Deterioration of finisched surfaces due to use of cleaning products containing acids or abrasive substances.

Deterioration of surface with finishes other than chrome plating. Their durability is, in fact, dependent on the user's care and gentleness of use.

Deterioration of the fitting due incorrect installation.

Improper repairs and maintenance performed without the company's prior authorization.

The warranty from IB Rubinetterie SpA is not renewable.

Cleaning

We recommended cleaning the finish surfaces with water and soap, using a soft cloth.

Do not use detergents that cointain hydrochloric acid or abrasive substances.