

Collection

## Rubacuori

Article

### RU250

Description

Wall mounted bath filler complete with hand shower kit.

Box Dimensions

370x270x80 mm

Weight

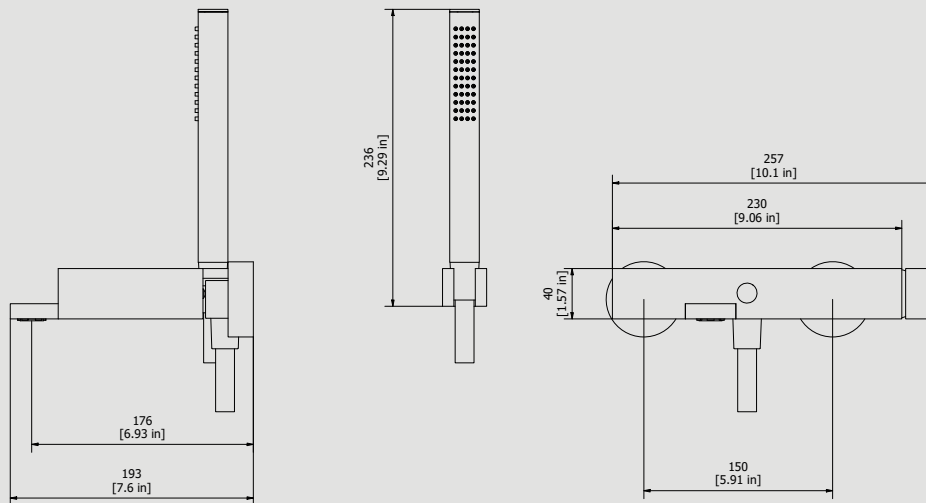
4.6 kg

Finishes

- **CC**  
CHROME
- **CF**  
BLACK CHROME
- **OO**  
GOLD
- **MB**  
MODERN BRONZE
- **SS**  
BRUSHED NICKEL
- **CS**  
BRUSHED BLACK CHROME
- **BO**  
MATT WHITE
- **NP**  
MATT BLACK
- **IS**  
BRUSHED PALE GOLD
- **OS**  
BRUSHED GOLD
- **II**  
PALE GOLD
- **RR**  
ANTIQUE COPPER
- **RS**  
ROSE GOLD
- **ON**  
NATURAL BRASS
- **SR**  
BRUSHED ROSE GOLD
- **PL**  
PLATINUM



Dimensions



Cartridge

Ø35 ceramic cartridge

Threaded fitting

G1/2" Male

Aerator

M24x1

Flow Rate (+/-10%)

1 BAR  
10 l/min

2 BAR  
14 l/min

3 BAR  
17 l/min

Production

Main body is a single hot stamped pieces

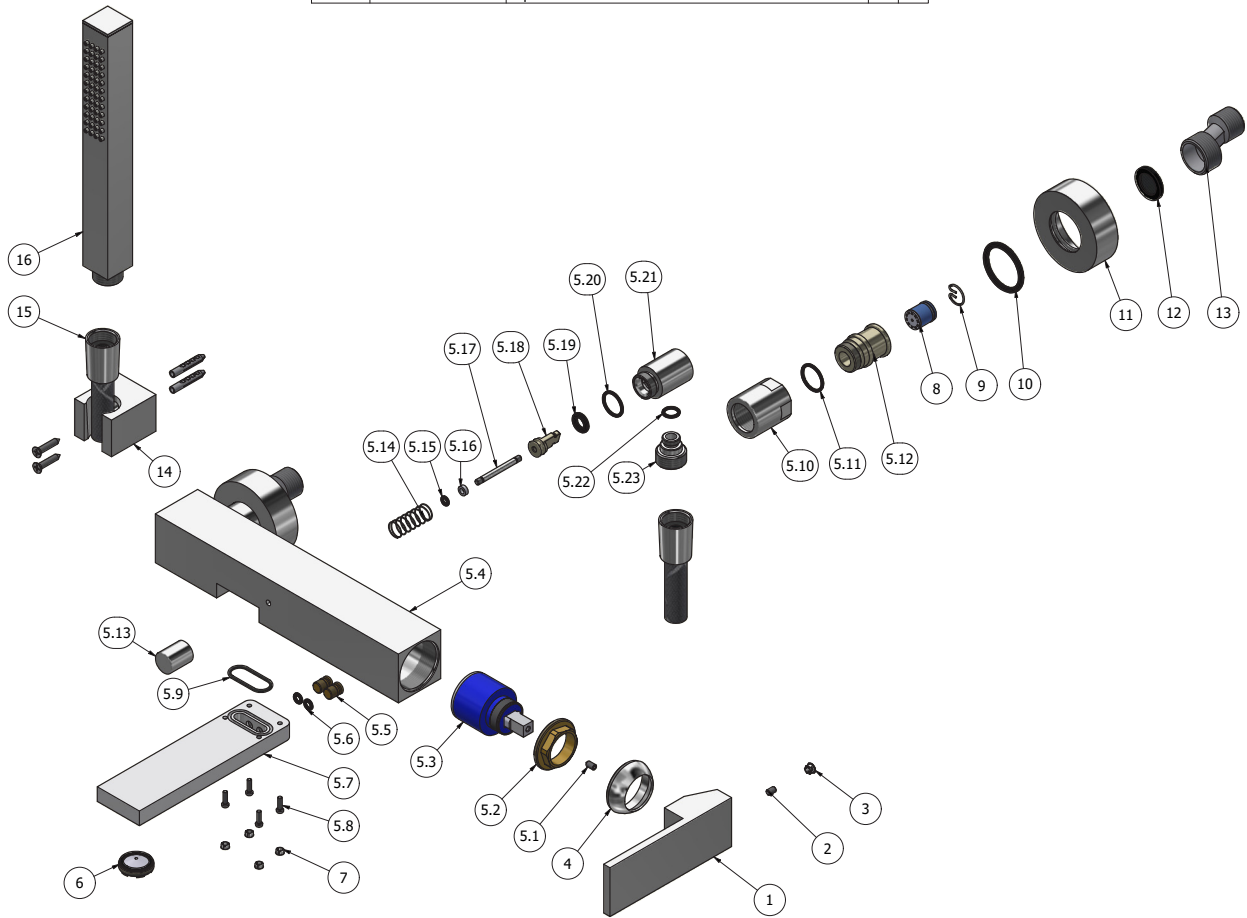
Material

**BRASS**  
According to CuZn42 (CW510L)  
Max lead content: 0.2%



WE ARE IB

Parts list				
ITEMS	CODE	DESCRIPTION	FIN	QTA
1	AQ0013277-T1	Zamack square handle 40x40x23.5x115	F	1
2	AQ0001081	Grubscrew M4x6 flat point	-	1
3	AQ0006650	Plug cover Ø7	F	1
4	AQ0012068	Chromed cover nut Ø38,2 M37x1,5	F	1
5	CPKDJ250CCX01	Preassembled external bath mixer	F	1
5.1	AQ0006649	Grubscrew M4x8 cone point	-	1
5.2	AQ0001040	Cartridge ring nut M37x1.5 H9	G	1
5.3	AQ0004095	Ceramic cartridge Ø35 Wout/D K 35 A	-	1
5.4	AC0011201	Bath shower mixer body 40x40 L230	F	1
5.5	AS0010569	Plug M8x1 H11 CH3	G	2
5.6	AQ0001410	OR 4.2x1.9 NBR 70 SH	-	2
5.7	AC0011202	Spout-out for bath filler 40x12x145	-	1
5.8	AQ0012206	Inox screw M3x10	-	4
5.9	AQ0014198	OR 24x2 NBR 70 SH	-	1
5.10	AC0009990	Nut 3/4"G	F	2
5.11	AQ0004630	OR 17.16x1.78 NBR 70 SH	-	2
5.12	AN0010253	Seal 20X1 W/seat for valve	N	2
5.13	AC0010793	Knob for diverter Ø16 H20 M4	F	1
5.14	AQ0010322	Diverter's spring	G	1
5.15	AQ0007122	OR 3.69x1.78 NBR 70 SH	-	1
5.16	AQ0009727	Antifricion ring Ø7 H2.5	-	1
5.17	AC0009716	Diverter's rod Ø4 M4 H41	F	1
5.18	AN0009664	Diverter pan for bath shower Ø10.8 H22	N	1
5.19	AQ0009380	OR 7.52x3.53 NBR 70 SH	-	1
5.20	AQ0004600	OR 15.6x1.78 NBR 70 SH	-	1
5.21	AC0010797	Elbow M18x1 M12x1	F	1
5.22	AQ0001340	OR 8.73x1.78 NBR 70 SH	-	1
5.23	AC0010794	Shower connection piece G1/2" M12x1 H20.5 CH12	F	1
6	AQ0012140	Aerator NP slim M24x1 (01.5511.0)	-	1
7	AQ0012203	Plug	F	4
8	AQ0009090	Not return valve Ø14 (31.4114.00001)	-	2
9	AQ0009678	Elastic ring AISI 302	-	2
10	AQ0009368	OR 29.75x3.53 NBR 70 SH	-	2
11	AC0010020	Sliding rosette	F	2
12	AQ0010373	Rubber packing 3/4" H3 with filter	-	2
13	AQ0009886	Eccentric H.36	G	2
14	AQ0012209	Shower support square ABS	F	1
15	AQ0018056	Flex snapon G1/2" F L150cm Silver	F	1
16	AQ0013639	Square hand shower OnAir	F	1





WE ARE IB

### **WARRANTY**

All IB Rubinetterie SpA products are warranted for 10 years from the date of purchase, for the following cases:

- Defects of casting, porosity and chrome plating.
- Operating defects caused by incorrect fabrication.

The warranty provides for repair or replacement of products with fabrication defects recognized by our technical office. There is no other type of compensation anche the merchandise must be returned FOB our warehouse. The warranty only cover surface defects (scartches, dings, etc.) on fitting that have not been installed and used, returned in its original packaging with all components. O-ring, gasket seals and components subject to wear proportional to use are warranted for 2 years.

#### **The warranty is void in the following cases:**

Error installing and putting the product into service.

Deterioration of finished surfaces due to use of cleaning products containing acids or abrasive substances.

Deterioration of surface with finishes other than chrome plating. Their durability is, in fact, dependent on the user's care and gentleness of use.

Deterioration of the fitting due incorrect installation.

Improper repairs and maintenance performed without the company's prior authorization.

The warranty from IB Rubinetterie SpA is not renewable.

#### **Cleaning**

We recommanded cleaning the finish surfaces with water and soap, using a soft cloth.

Do not use detergents that cointain hydrochloric acid or abrasive substances.