

Collection

## Rubacuori

Article

### RU299

Description

**Monohole free-standing washbasin mixer complete with drain. Built-in body to be purchased separately INC399.**

Box Dimensions

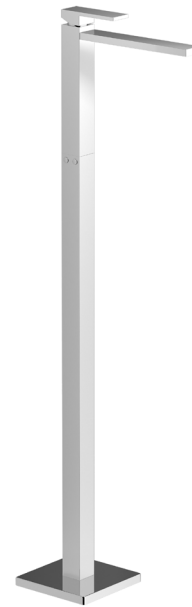
1160x360x180 mm

Weight

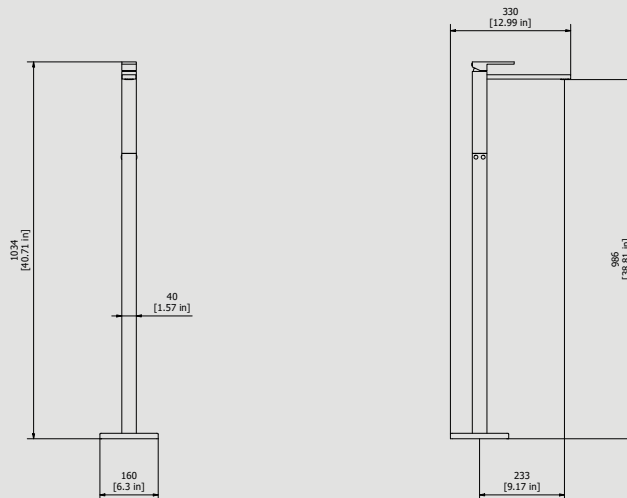
13.1 kg

Finishes

- **CC**  
CHROME
- **CF**  
BLACK CHROME
- **OO**  
GOLD
- **MB**  
MODERN BRONZE
- **SS**  
BRUSHED NICKEL
- **CS**  
BRUSHED BLACK CHROME
- **BO**  
MATT WHITE
- **NP**  
MATT BLACK
- **IS**  
BRUSHED PALE GOLD
- **OS**  
BRUSHED GOLD
- **II**  
PALE GOLD
- **RR**  
ANTIQUE COPPER
- **RS**  
ROSE GOLD
- **ON**  
NATURAL BRASS
- **SR**  
BRUSHED ROSE GOLD
- **PL**  
PLATINUM



Dimensions



Cartridge

**Ø25 ceramic cartridge**

Threaded fitting

-

Aerator

**M24x1**

Flow Rate (+/-10%)

**1 BAR  
6 l/min**

**2 BAR  
7.5 l/min**

**3 BAR  
9 l/min**

Production

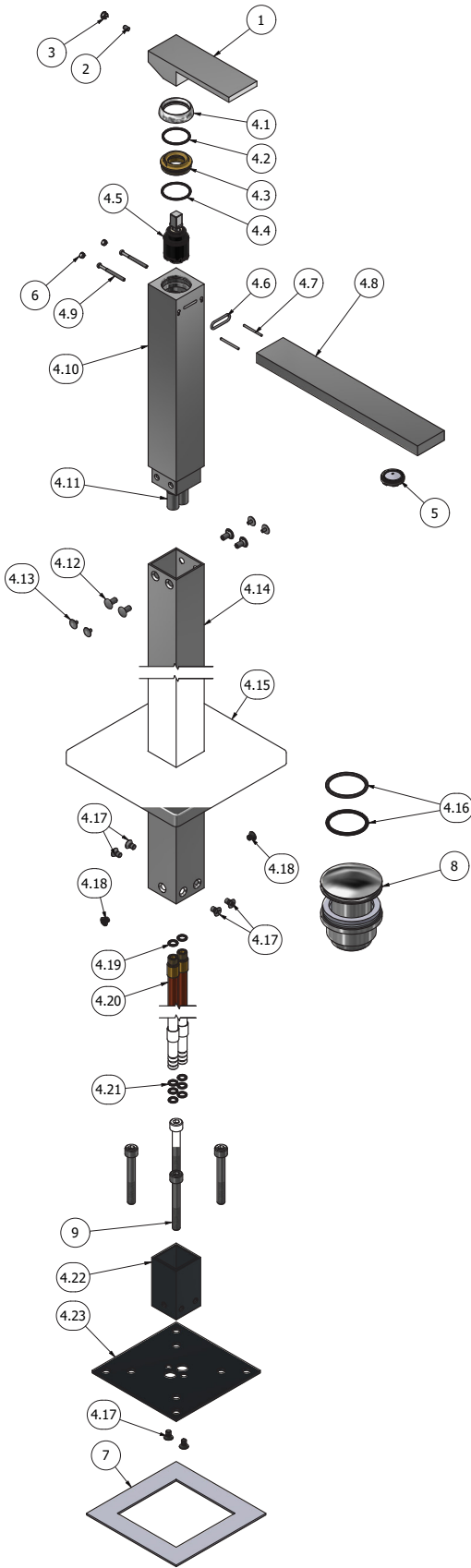
**Mainbody is a machined from a solid pieces**

Material

**BRASS**  
According to CuZn39Pb3 (CW614N)  
Max lead content: 2.5%



WE ARE IB



Parts list			
ITEMS	CODE	DESCRIPTION	FIN QTA
1	AQ0013277-TI	Zamack square handle 40x40x23.5x115	F 1
2	AQ0001081	Grubscrew M4x6 flat point	- 1
3	AQ0006650	Plug cover Ø7	F 1
4	CPRU299CC-21	Preassembled free-standing washbasin mixer	F 1
4.1	AC0012004	Cartridge fixing nut chromed cover	F 1
4.2	AQ0006586	OR 25.12x1.78 NBR 70 SH	- 1
4.3	AS0011182	Fixing nut M30x1 H17	G 1
4.4	AQ0010564	OR 26.7x1.78 NBR 70 SH	- 1
4.5	AQ0016764	Cartridge Ø25 open 9x9 (KH25OPS A4US)	- 1
4.6	AQ0013170	Rubber 27.6x9,6x2	- 1
4.7	AQ0015596	St.Steel cylindrical pin Ø2x26	- 2
4.8	AC0012303	Spuot for basin 12x38x230 M24x1	F 1
4.9	AQ0012201	Inox screw M3x35 head Ø5	- 2
4.10	AC0012304	Mixer body 40x40x245	F 1
4.11	AC0012552	Extension pipe M8x1 M10x1 L111.5	- 2
4.12	AC0010055	Screw M5x10	F 4
4.13	AC0007108	M3 plug cover for screw	F 4
4.14	AC0016042	Square pipe 40x40x780	F 1
4.15	AQ0014742	Carter 160x160x15 40.5x40.5	F 1
4.16	AQ0009533	OR 37x3 NBR 70 SH	- 2
4.17	AQ0013722	Inox screw M5x8 countersunk head	F 6
4.18	AQ0014978	Inox screw M5x6 countersunk head	F 2
4.19	AQ0001330	OR 6.75x1.78 NBR 70 SH	- 2
4.20	AS0012380	Pipe M10x1 L790	- 2
4.21	AQ0012025	OR 6.35x1.78 NBR 70 SH	- 6
4.22	AS0017307	Box 45x50x60 int.22	- 1
4.23	AS0017308	Flange 120x120x3 int. 22	- 1
5	AQ0012140	Aerator NP slim M24x1 (01.5511.0)	- 1
6	AQ0012203	Plug	F 2
7	AQ0015986	Rubber packing double-sided tape 128x128x2	- 1
8	AQ0009837	Simple rapid waste 1"1/4	F 1
9	AQ0016200	Inox screw TCEI M8x60 DIN912	- 4



WE ARE IB

### **WARRANTY**

All IB Rubinetterie SpA products are warranted for 10 years from the date of purchase, for the following cases:

- Defects of casting, porosity and chrome plating.
- Operating defects caused by incorrect fabrication.

The warranty provides for repair or replacement of products with fabrication defects recognized by our technical office. There is no other type of compensation anche the merchandise must be returned FOB our warehouse. The warranty only cover surface defects (scartches, dings, etc.) on fitting that have not been installed and used, returned in its original packaging with all components. O-ring, gasket seals and components subject to wear proportional to use are warranted for 2 years.

#### **The warranty is void in the following cases:**

Error installing and putting the product into service.

Deterioration of finished surfaces due to use of cleaning products containing acids or abrasive substances.

Deterioration of surface with finishes other than chrome plating. Their durability is, in fact, dependent on the user's care and gentleness of use.

Deterioration of the fitting due incorrect installation.

Improper repairs and maintenance performed without the company's prior authorization.

The warranty from IB Rubinetterie SpA is not renewable.

#### **Cleaning**

We recommanded cleaning the finish surfaces with water and soap, using a soft cloth.

Do not use detergents that cointain hydrochloric acid or abrasive substances.