



WE ARE IB

Collection

Rubacuori

Article

RU318

Description

Built-in wall mounted waterfall spout.

Box Dimensions

340x180x70 mm

Weight

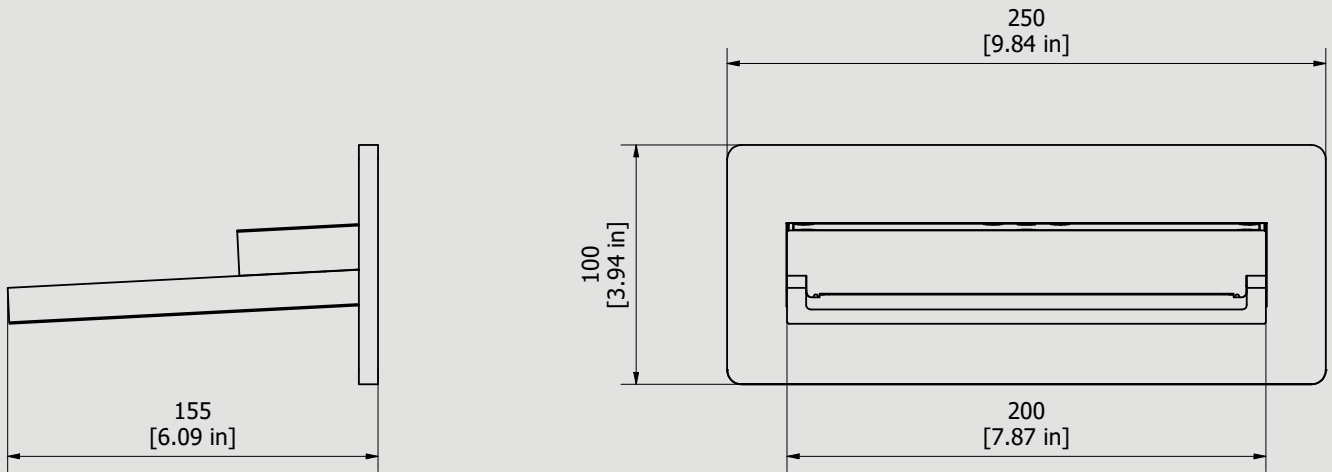
4.0 kg

Finishes

- **CC**
CHROME
- **CF**
BLACK CHROME
- **OO**
GOLD
- **MB**
MODERN BRONZE
- **SS**
BRUSHED NICKEL
- **CS**
BRUSHED BLACK CHROME
- **BO**
MATT WHITE
- **NP**
MATT BLACK
- **IS**
BRUSHED PALE GOLD
- **OS**
BRUSHED GOLD
- **II**
PALE GOLD
- **RR**
ANTIQUE COPPER
- **RS**
ROSE GOLD
- **ON**
NATURAL BRASS
- **SR**
BRUSHED ROSE GOLD
- **PL**
PLATINUM



Dimensions



Cartridge

-

Threaded fitting

G1/2" Male

Aerator

-

Flow Rate (+/-10%)

1 BAR	2 BAR	3 BAR
13 l/min	17 l/min	20 l/min

Production

Main body is a single hot stamped pieces

Material

BRASS
According to CuZn42 (CW510L)
Max lead content: 0.2%

IB RUBINETTERIE s.p.a
via dei Pianotti 3/5
25068 Sarezzo (BS) - Italy -

T. +39 030 802101
F. +39 030 803097
info@weareib.it

P.IVA 01785230986
capitale sociale
€420.000,00 i.v.

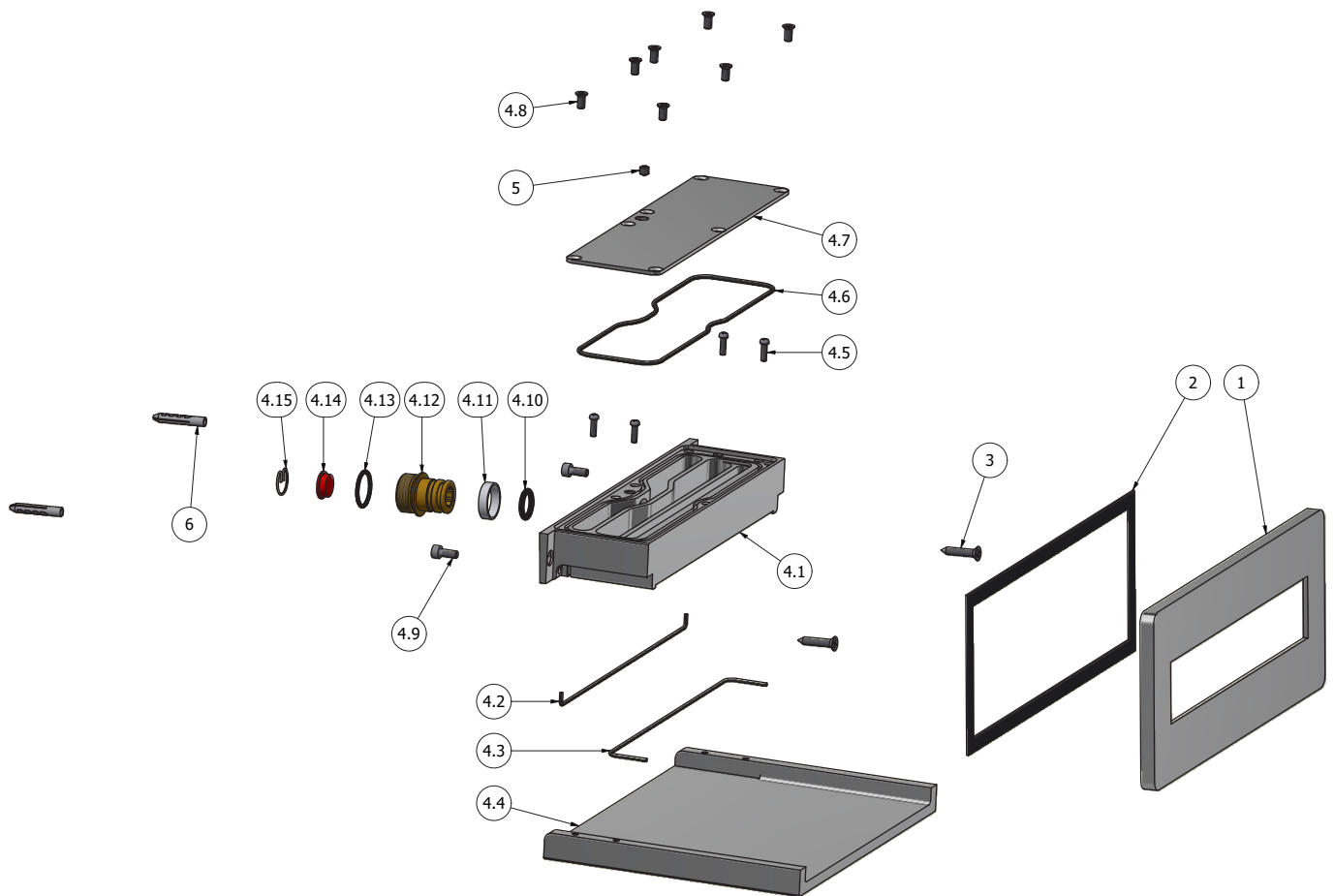
www.weareib.it





WE ARE IB

Elenco parti			
ELEM.	CODICE	DESCRIZIONE	QTA
1	AC0011233	Carter di copertura 100x250x8	1
2	AQ0012261	Guarnizione biadesiva L245x90x8x1	1
3	AQ0010626	Viteinox TPS/CR 4.5x50	2
4	CPKMH318CCX02	Premontato bocca a cascata esterna con ala	1
4.1	AC0011235	Bocca a cascata 200x60x28	1
4.2	AQ0012285	Guarnizione Ø1.78 L197	1
4.3	AQ0013010	Guarnizione Ø1.78 L215	1
4.4	AC0011234	Ala per bocca cascata esterna 200x150x15	1
4.5	AQ0012206	Vite inox M3x10 con testa tornita a Ø5	4
4.6	AQ0012287	OR 2x138	1
4.7	AQ0012282	Piastra chiusura bocca 194.5x55.5x2	1
4.8	AQ0010280	Vite M4x8,5 testa croce Ø6.5	7
4.9	AQL010381	Vite esagono M4x10	2
4.10	AQ0001360	OR 11.91x2.62 NBR 70 SH	1
4.11	AQ0010435	Anello in nylon	1
4.12	AS0011282	Inserito G1/2" L27.7 c/sede val	1
4.13	AQ0004630	OR 17.16x1.78 NBR 70 SH	1
4.14	AQ0016963	Regolatore di portata 20 lt. (Rosso) (58.6139.1)	1
4.15	AQ0009678	Anello elastico AISI 302	1
5	AQ0009729	Grano inox M5x5 p.c.	1
6	AQ0010660	Tassello PLS Ø8 x vite 4.8x38	2





WE ARE IB

WARRANTY

All IB Rubinetterie SpA products are warranted for 10 years from the date of purchase, for the following cases:

- Defects of casting, porosity and chrome plating.
- Operating defects caused by incorrect fabrication.

The warranty provides for repair or replacement of products with fabrication defects recognized by our technical office. There is no other type of compensation anche the merchandise must be returned FOB our warehouse. The warranty only cover surface defects (scartches, dings, etc.) on fitting that have not been installed and used, returned in its original packaging with all components. O-ring, gasket seals and components subject to wear proportional to use are warranted for 2 years.

The warranty is void in the following cases:

Error installing and putting the product into service.

Deterioration of finished surfaces due to use of cleaning products containing acids or abrasive substances.

Deterioration of surface with finishes other than chrome plating. Their durability is, in fact, dependent on the user's care and gentleness of use.

Deterioration of the fitting due incorrect installation.

Improper repairs and maintenance performed without the company's prior authorization.

The warranty from IB Rubinetterie SpA is not renewable.

Cleaning

We recommanded cleaning the finish surfaces with water and soap, using a soft cloth.

Do not use detergents that cointain hydrochloric acid or abrasive substances.