

Collection

## Rubacuori

Article

### RU320

Description

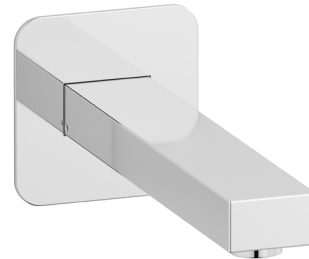
**Wall mounted spout.**

Box Dimensions

**210x130x70 mm**

Weight

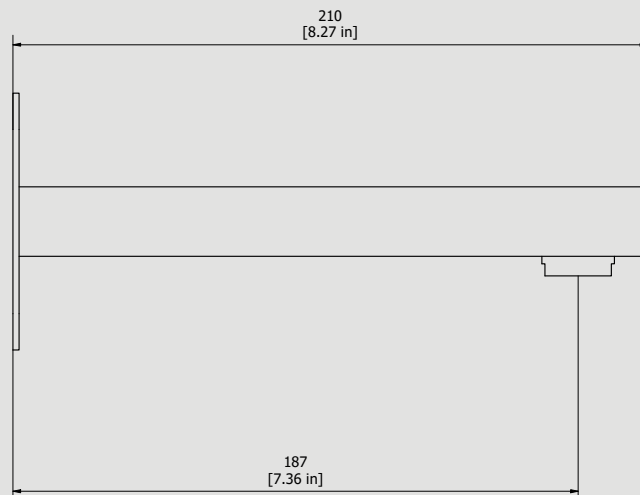
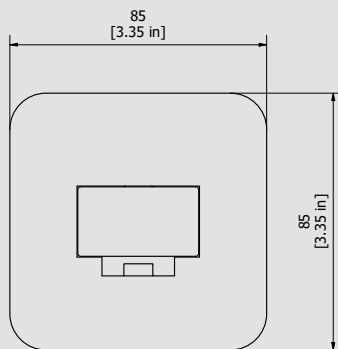
**1.1 kg**



Finishes

- **CC**  
CHROME
- **CF**  
BLACK CHROME
- **OO**  
GOLD
- **MB**  
MODERN BRONZE
- **SS**  
BRUSHED NICKEL
- **CS**  
BRUSHED BLACK CHROME
- **BO**  
MATT WHITE
- **NP**  
MATT BLACK
- **IS**  
BRUSHED PALE GOLD
- **OS**  
BRUSHED GOLD
- **II**  
PALE GOLD
- **RR**  
ANTIQUED COPPER
- **RS**  
ROSE GOLD
- **ON**  
NATURAL BRASS
- **SR**  
BRUSHED ROSE GOLD
- **PL**  
PLATINUM

Dimensions



Cartridge

-

Threaded fitting

**G1/2" male**

Aerator

**M24x1**

Flow Rate (+/-10%)

**1 BAR  
3 l/min**

**2 BAR  
3.8 l/min**

**3 BAR  
3.8 l/min**

Production

**Main body is a single hot stamped pieces**

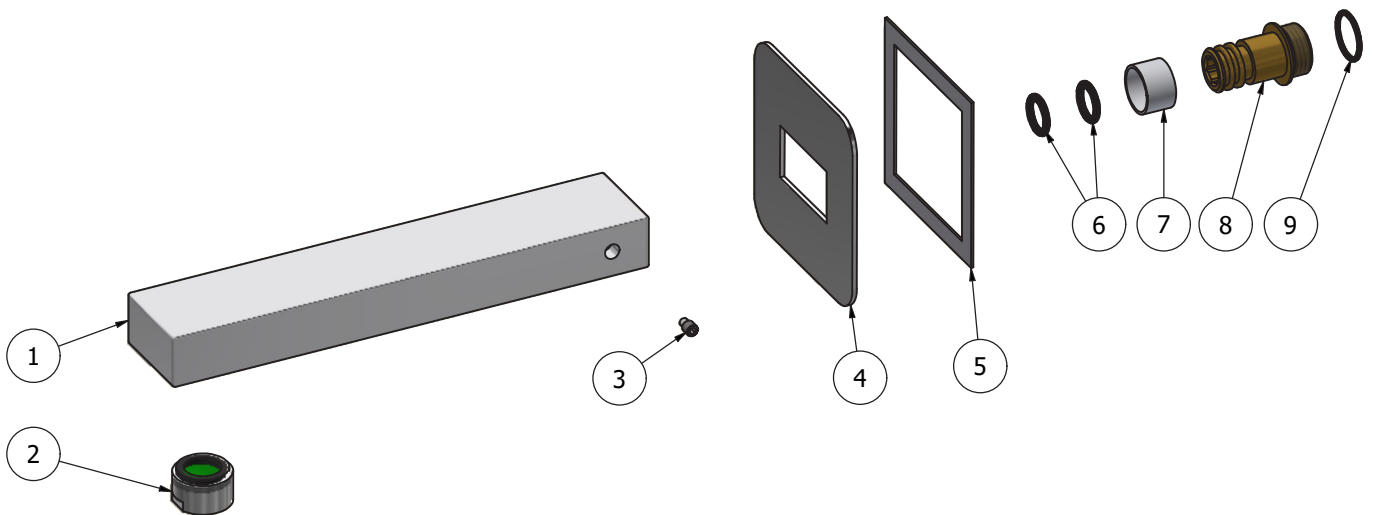
Material

**BRASS**  
According to CuZn42 (CW510L)  
Max lead content: 0.2%



WE ARE IB

Parts list				
ITEMS	CODE	DESCRIPTION	FIN	QTÀ
1	AQ0014442	Spout-out 40x23x210	F	1
2	AQ0015884	Perlator honeycomb M24 x 1 1 GPM (40.2158.033)	F	1
3	AQ0007178	Grubscrew M5x8 half dog point	-	1
4	AC0018082-TI	Plate 85x85 x2 40.5x23.5	F	1
5	AQ0015829	Rubber packing double-sided tape 75x75x8x1	-	1
6	AQ0001360	OR 11.91x2.62 NBR 70 SH	-	2
7	AQ0010143	Antifriction ring Ø20 H12.5	-	1
8	AS0012306	Spout-out insert G1/2" H40	G	1
9	AQ0004630	OR 17.16x1.78 NBR 70 SH	-	1





WE ARE IB

### **WARRANTY**

All IB Rubinetterie SpA products are warranted for 10 years from the date of purchase, for the following cases:

- Defects of casting, porosity and chrome plating.
- Operating defects caused by incorrect fabrication.

The warranty provides for repair or replacement of products with fabrication defects recognized by our technical office. There is no other type of compensation anche the merchandise must be returned FOB our warehouse. The warranty only cover surface defects (scartches, dings, etc.) on fitting that have not been installed and used, returned in its original packaging with all components. O-ring, gasket seals and components subject to wear proportional to use are warranted for 2 years.

#### **The warranty is void in the following cases:**

Error installing and putting the product into service.

Deterioration of finished surfaces due to use of cleaning products containing acids or abrasive substances.

Deterioration of surface with finishes other than chrome plating. Their durability is, in fact, dependent on the user's care and gentleness of use.

Deterioration of the fitting due incorrect installation.

Improper repairs and maintenance performed without the company's prior authorization.

The warranty from IB Rubinetterie SpA is not renewable.

#### **Cleaning**

We recommended cleaning the finish surfaces with water and soap, using a soft cloth.

Do not use detergents that cointain hydrochloric acid or abrasive substances.