



WE ARE IB

Collection

REFLEX

Article

RX022

Description

Duplex

Box Dimensions

100x80x40 mm

Weight

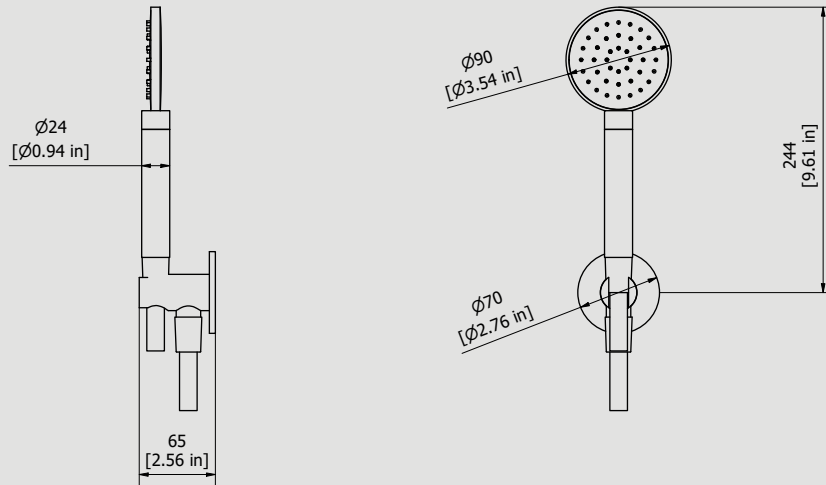
1.2 kg

Finishes

- **CC** CHROME
- **CF** BLACK CHROME
- **OO** GOLD
- **MB** MODERN BRONZE
- **SS** BRUSHED NICKEL
- **CS** BRUSHED BLACK CHROME
- **BO** MATT WHITE
- **NP** MATT BLACK
- **IS** BRUSHED PALE GOLD
- **OS** BRUSHED GOLD
- **II** PALE GOLD
- **RR** ANTIQUE COPPER
- **RS** ROSE GOLD
- **ON** NATURAL BRASS
- **SR** BRUSHED ROSE GOLD
- **PL** PLATINUM



Dimensions



Cartridge

Threaded fitting

G1/2" male

Aerator

Flow Rate (+/-10%)

1 BAR
7.2 l/min

2 BAR
10.5 l/min

3 BAR
13.2 l/min

Production

Main body is a single hot stamped pieces

Material

BRASS
According to CuZn42 (CW510L)
Max Lead content: 0.2%

IB RUBINETTERIE s.p.a
via dei Pianotti 3/5
25068 Sarezzo (BS) - Italy -

T. +39 030 802101
F. +39 030 803097
info@weareib.it

P.IVA 01785230986
capitale sociale
€420.000,00 i.v.

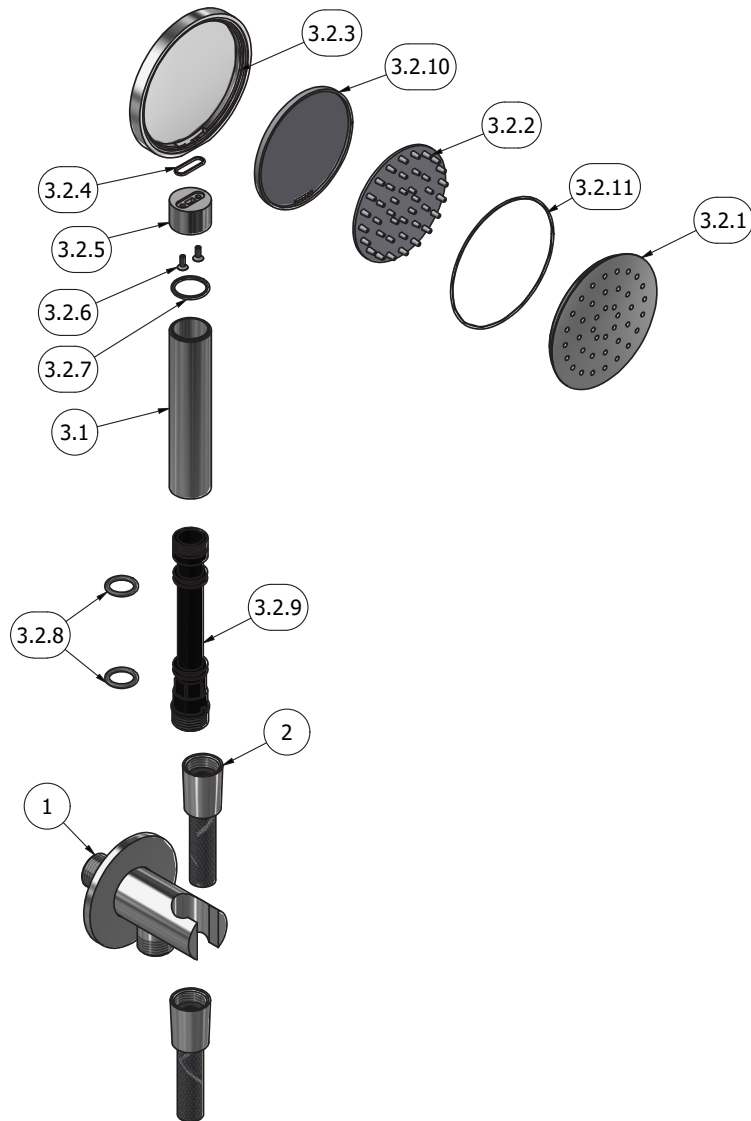
www.weareib.it





WE ARE IB

Parts list				
ITEMS	CODE	DESCRIPTION	FIN	QTÀ
1	AQ0018102	Onair round support	F	1
2	AQ0018056	Flex sapon G1/2" F L150cm Silver	F	1
3	AC0016742	Round handshower Ø90 H213	-	1
3.1	AC0016644	Knob Ø24 H110	F	1
3.2	AQ0016231	Round handshower Ø90 H213	-	1
3.2.1	AQ0016231_1	Diffuser holder flange	F	1
3.2.2	AQ0016231_2	Shower diffuser	-	1
3.2.3	AQ0016231_3	Handshower head Ø90	F	1
3.2.4	AQ0016231_4	OR12x1.5 NBR 70 SH	-	1
3.2.5	AQ0016231_5	Insert Ø24 M10x1 H16	F	1
3.2.6	AQ0016231_6	Screw inox M3x8 TSP DIN7991	-	2
3.2.7	AQ0016231_7	OR 18x2 NBR 70 SH	-	1
3.2.8	AQ0016231_8	OR 13.95x2.62 NBR 70 SH	-	2
3.2.9	AQ0016231_9	Insert for handshower G1/2"	-	1
3.2.10	AQ0016231_10	Diffuser press cover	-	1
3.2.11	AQ0016231_11	OR 80x1.3 NBR 70 SH	-	1





WE ARE IB

WARRANTY

All IB Rubinetterie SpA products are warranted for 10 years from the date of purchase, for the following cases:

- Defects of casting, porosity and chrome plating.
- Operating defects caused by incorrect fabrication.

The warranty provides for repair or replacement of products with fabrication defects recognized by our technical office. There is no other type of compensation anche the merchandise must be returned FOB our warehouse. The warranty only cover surface defects (scartches, dings, etc.) on fitting that have not been installed and used, returned in its original packaging with all components. O-ring, gasket seals and components subject to wear proportional to use are warranted for 2 years.

The warranty is void in the following cases:

Error installing and putting the product into service.

Deterioration of finished surfaces due to use of cleaning products containing acids or abrasive substances.

Deterioration of surface with finishes other than chrome plating. Their durability is, in fact, dependent on the user's care and gentleness of use.

Deterioration of the fitting due incorrect installation.

Improper repairs and maintenance performed without the company's prior authorization.

The warranty from IB Rubinetterie SpA is not renewable.

Cleaning

We recommanded cleaning the finish surfaces with water and soap, using a soft cloth.

Do not use detergents that cointain hydrochloric acid or abrasive substances.