



WE ARE IB

Collection

REFLEX

Article

RX395

Description

Tall deck mounted spout

Box Dimensions

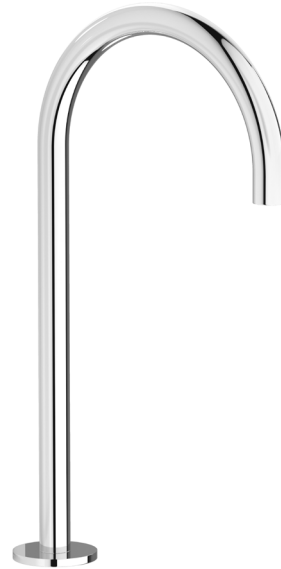
455x310x75 mm

Weight

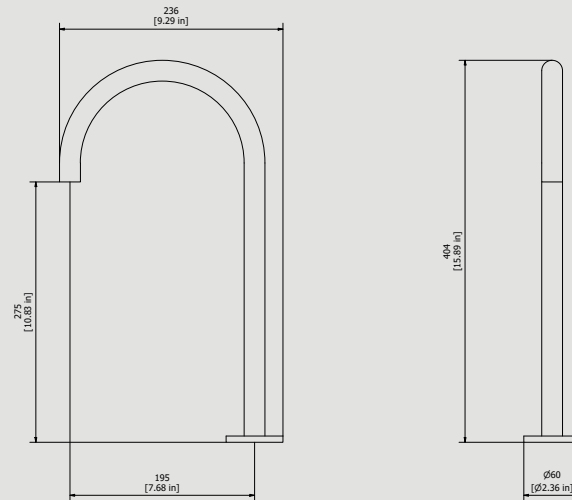
1.5 kg

Finishes

- **CC**
CHROME
- **CF**
BLACK CHROME
- **OO**
GOLD
- **MB**
MODERN BRONZE
- **SS**
BRUSHED NICKEL
- **CS**
BRUSHED BLACK CHROME
- **BO**
MATT WHITE
- **NP**
MATT BLACK
- **IS**
BRUSHED PALE GOLD
- **OS**
BRUSHED GOLD
- **II**
PALE GOLD
- **RR**
ANTIQUÉ COPPER
- **RS**
ROSE GOLD
- **ON**
NATURAL BRASS
- **SR**
BRUSHED ROSE GOLD
- **PL**
PLATINUM



Dimensions



Cartridge

Threaded steam

G1/2" male

Aerator

M16.5x1

Flow Rate (+/-10%)

1 BAR
3.2 l/min

2 BAR
3.8 l/min

3 BAR
3.9 l/min

Production

Main body is a machined from a solid pieces

Material

BRASS
According to CuZn42 (CW510L)
Max Lead content: 0.2%

IB RUBINETTERIE s.p.a
via dei Pianotti 3/5
25068 Sarezzo (BS) - Italy -

T. +39 030 802101
F. +39 030 803097
info@weareib.it

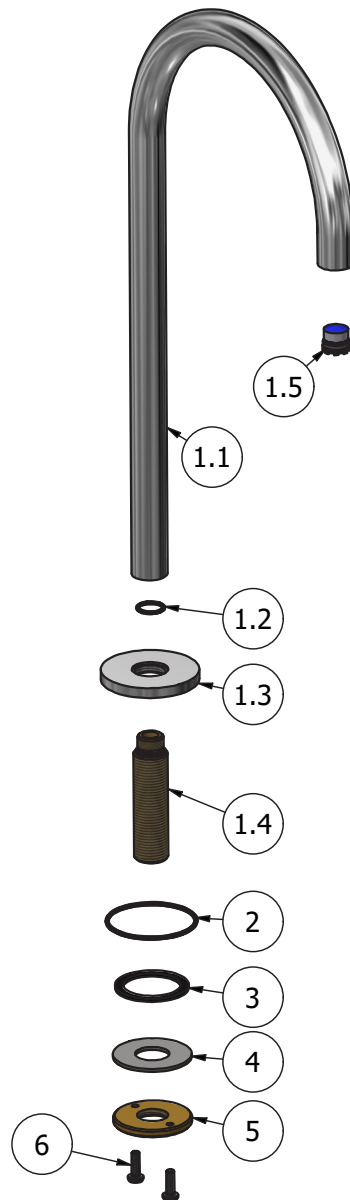
P.IVA 01785230986
capitale sociale
€420.000,00 i.v.

www.weareib.it





WE ARE IB



Parts list			
ELEM.	CODE	DESCRIPTION	QTÀ
1	CPRX395CCXN_1	Preassembled spout Ø22 H275	1
1.1	AC0016651	Bridge spout Ø22 sp.1.5 int.195x270 L398.5	1
1.2	AQ0009818	OR 14x1.78 NBR 70 SH	1
1.3	AC0016646	Rosette Ø60 H6.5 G"1/2F.	1
1.4	AS0016649	Threaded stem M16X1M G1/2"M L81	1
1.5	AQ0014147	Perlator PCA cachè laminar 1 GPM (44.3358.010)	1
2	AQ0014771	OR 52x2 NBR 70 SH	1
3	AQ0008013	Rubber packing 45x35x2	1
4	AQ0016650	Washer Ø48 Ø21 H2	1
5	AS0016648	Nut Ø48 G1/2" H5	1
6	AQ0010358	Inox screw M5x16 ISO 7045	2



WE ARE IB

WARRANTY

All IB Rubinetterie SpA products are warranted for 10 years from the date of purchase, for the following cases:

- Defects of casting, porosity and chrome plating.
- Operating defects caused by incorrect fabrication.

The warranty provides for repair or replacement of products with fabrication defects recognized by our technical office. There is no other type of compensation anche the merchandise must be returned FOB our warehouse. The warranty only cover surface defects (scartches, dings, etc.) on fitting that have not been installed and used, returned in its original packaging with all components. O-ring, gasket seals and components subject to wear proportional to use are warranted for 2 years.

The warranty is void in the following cases:

Error installing and putting the product into service.

Deterioration of finished surfaces due to use of cleaning products containing acids or abrasive substances.

Deterioration of surface with finishes other than chrome plating. Their durability is, in fact, dependent on the user's care and gentleness of use.

Deterioration of the fitting due incorrect installation.

Improper repairs and maintenance performed without the company's prior authorization.

The warranty from IB Rubinetterie SpA is not renewable.

Cleaning

We recommanded cleaning the finish surfaces with water and soap, using a soft cloth.

Do not use detergents that cointain hydrochloric acid or abrasive substances.