

Collection

REFLEX

Article

RX406

Description

Wall mounted washbasin hydroprogressive mixer

Built-in body to be purchased separately INC206

Box Dimensions

340x180x75 mm

Weight

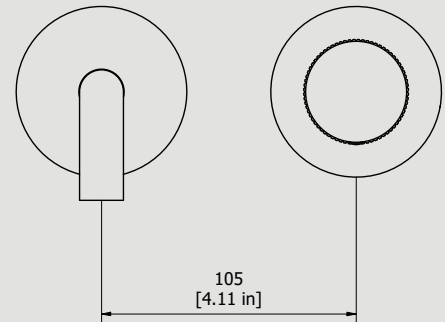
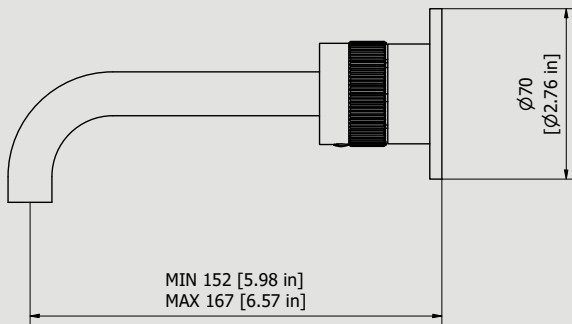
1.3 kg

Finishes

- **CC**
CHROME
- **CF**
BLACK CHROME
- **OO**
GOLD
- **MB**
MODERN BRONZE
- **SS**
BRUSHED NICKEL
- **CS**
BRUSHED BLACK CHROME
- **BO**
MATT WHITE
- **NP**
MATT BLACK
- **IS**
BRUSHED PALE GOLD
- **OS**
BRUSHED GOLD
- **II**
PALE GOLD
- **RR**
ANTIQUÉ COPPER
- **RS**
ROSE GOLD
- **ON**
NATURAL BRASS
- **SR**
BRUSHED ROSE GOLD
- **PL**
PLATINUM



Dimensions



Cartridge

Ø35 ceramic cartridge

Threaded fitting

G1/2" female

Aerator

M16.5x1

Flow Rate (+/-10%)

**1 BAR
3.3 l/min**

**2 BAR
3.8 l/min**

**3 BAR
3.8 l/min**

Production

Main body is a single casted pieces

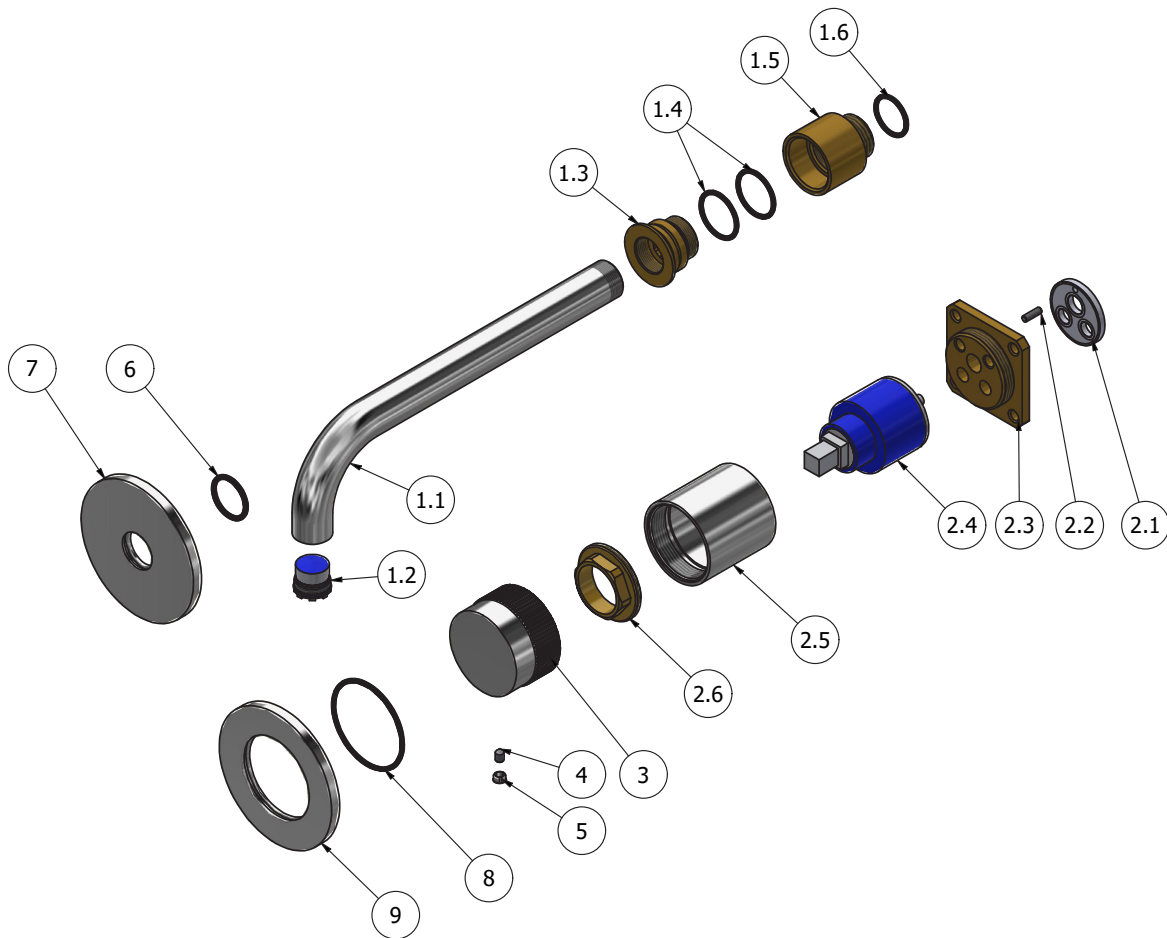
Material

BRASS
According to CuZn35Pb2Al-B (CB752S)
Max Lead content: 1.36%



WE ARE IB

Parts list				
ITEMS	CODE	DESCRIPTION	FIN	QTÀ
1	CPX206CC-21	Preassembled wall spout Ø18	-	1
1.1	AC0011995	Spout-out M18x1 M16.5x1 Ø18 L194	F	1
1.2	AQ0014147	Perlator PCA cachè laminar 1 GPM (44.3358.010)	-	1
1.3	AS0016996	Spout insert Ø30 M20x1M M18x1 F H21	G	1
1.4	AQ0001400	OR 20.35x1.78 NBR 70 SH	-	2
1.5	AS0016995	Insert Ø30 G1/2" M H32	G	1
1.6	AQ0004630	OR 17.16x1.78 NBR 70 SH	-	1
2	CPRX300CCXN19	Mixer 47x47 x recessed	-	1
2.1	AQ0015684	Gasket Ø31 H3.5 Ø7 Ø7.5	-	1
2.2	AQ0015357	Grubscrew M3x10 flat point	-	1
2.3	AS0013040	Insert 47x47 H11 M37x1.5	G	1
2.4	AQ0013271	Ceramic cartridge KRJ 35A 9x9	-	1
2.5	AC0010445	Recessed ring Ø41 M37x1.5 H40.7	F	1
2.6	AQ0001040	Cartridge ring nut M37x1.5 H9	G	1
3	AC0016645	Handle Ø43 H27 knurled	F	1
4	AQ0010444	Grubscrew M4x6 cone point	-	1
5	AQ0012203	Plug	F	1
6	AQ0006997	OR 18x2 NBR 70 SH	-	1
7	AC0018064	Ring Ø70 Ø18.5 H5	F	1
8	AQ0001440	OR 41x1.78 NBR 70 SH	-	1
9	AC0018063	Rosette Ø70 Ø41.5 H5	F	1





WE ARE IB

WARRANTY

All IB Rubinetterie SpA products are warranted for 10 years from the date of purchase, for the following cases:

- Defects of casting, porosity and chrome plating.
- Operating defects caused by incorrect fabrication.

The warranty provides for repair or replacement of products with fabrication defects recognized by our technical office. There is no other type of compensation anche the merchandise must be returned FOB our warehouse. The warranty only cover surface defects (scartches, dings, etc.) on fitting that have not been installed and used, returned in its original packaging with all components. O-ring, gasket seals and components subject to wear proportional to use are warranted for 2 years.

The warranty is void in the following cases:

Error installing and putting the product into service.

Deterioration of finished surfaces due to use of cleaning products containing acids or abrasive substances.

Deterioration of surface with finishes other than chrome plating. Their durability is, in fact, dependent on the user's care and gentleness of use.

Deterioration of the fitting due incorrect installation.

Improper repairs and maintenance performed without the company's prior authorization.

The warranty from IB Rubinetterie SpA is not renewable.

Cleaning

We recommanded cleaning the finish surfaces with water and soap, using a soft cloth.

Do not use detergents that cointain hydrochloric acid or abrasive substances.