



WE ARE IB

Collection

SUPERBOX

Article

SB394

Description

Two holes washbasin mixer.

Box Dimensions

360x220x150 mm

Weight

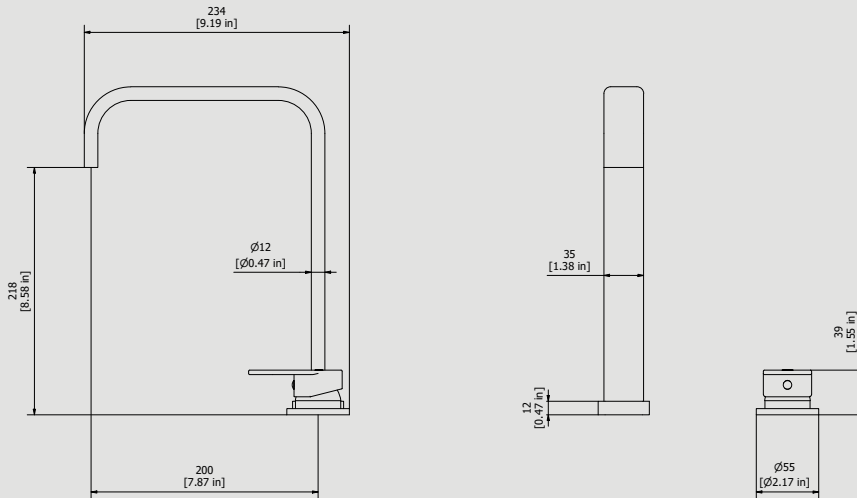
2.5 kg

Finishes

- **CC**
CHROME
- **CF**
BLACK CHROME
- **OO**
GOLD
- **MB**
MODERN BRONZE
- **SS**
BRUSHED NICKEL
- **CS**
BRUSHED BLACK CHROME
- **BO**
MATT WHITE
- **NP**
MATT BLACK
- **IS**
BRUSHED PALE GOLD
- **OS**
BRUSHED GOLD
- **II**
PALE GOLD
- **RR**
ANTIQUÉ COPPER
- **ORS**
ROSE GOLD
- **ON**
NATURAL BRASS
- **SR**
BRUSHED ROSE GOLD
- **PL**
PLATINUM



Dimensions



Cartridge

Ceramic cartridge Ø35 9x9

Hoses

Flex inox G1/2" F G1/2" F L300

Aerator

-

Flow Rate (+/-10%)

1 BAR	2 BAR	3 BAR
3 l\min	3.8 l\min	3.8 l\min

Production

Main body is a single casted pieces

Material

BRASS
According to CuZn35Pb2AL-B (CB752S)
Max Lead content: 1.36%

IB RUBINETTERIE s.p.a
via dei Pianotti 3/5
25068 Sarezzo (BS) - Italy -

T. +39 030 802101
F. +39 030 803097
info@weareib.it

P.IVA 01785230986
capitale sociale
€420.000,00 i.v.

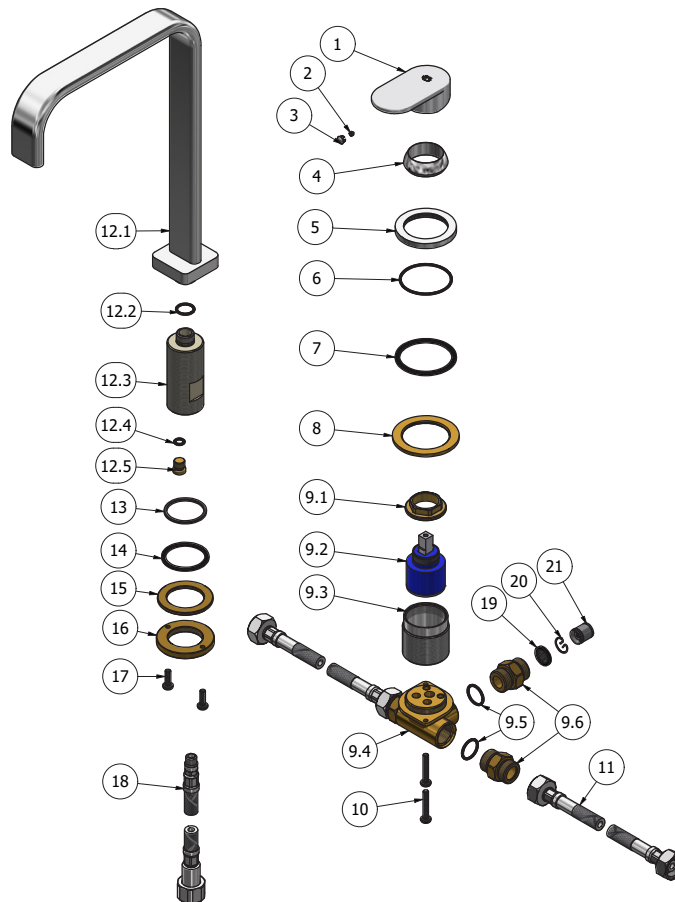
www.weareib.it





WE ARE IB

Parts list				
ITEMS	CODE	DESCRIPTION	FIN	QTA
1	AQ0014030-TI	Mix lever	F	1
2	AQ0001082	Grubscrew M4x4 cone point	-	1
3	AQ0006650	Plug cover Ø7	F	1
4	AQ0003630	Cartridge ring nut cover M37x1.5	F	1
5	AC0011660	Fixing ring Ø55 H5.5 M42x1.5	F	1
6	AQ0010584	OR 44.17x1.78 NBR 70 SH	-	1
7	AQ0011028	Flat gasket Ø55 Ø47 H2	-	1
8	AS0011661	Support ring Ø60 Ø42.2 H3	G	1
9	CPID394CC-3	Preassembly mix	-	1
9.1	AQ0001040	Cartridge ring nut M37x1.5 H9	G	1
9.2	AQ0004095	Ceramic cartridge Ø35 9x9 (K35A)	-	1
9.3	AC0011662	Ring M42x1.5 M37x1.5 Ø40 H40.7	F	1
9.4	AQT010369	Recessed shower mixer body Ø35 DZR	G	1
9.5	AQ0004630	OR 17.16x1.78 NBR 70 SH	-	3
9.6	AS0010301	Reduction G1/2" M G1/2" M with valve seat	G	3
10	AQ0009153	Inox screw M5x30 ISO 7045	-	2
11	AQ0006540	Flex inox G1/2" F G1/2" F L300	G	2
12	CPSB394CC-1	Preassembled spout-out	-	1
12.1	AC0011245	Complete welded spout	F	1
12.2	AQ0009818	OR 14x1.78 NBR 70 SH	-	1
12.3	AN0012449	Threaded stem M33x1.5 M16x1 H80	N	1
12.4	AQ0001330	OR 6.75x1.78 NBR 70 SH	-	1
12.5	AS0010770	Plug M10x1 H12	G	1
13	AQ0010274	Rubber packing Ø38x33.5x2	-	1
14	AQ0008012	Plane seal Ø42.5x35.5x2	-	1
15	AS0010659	Brass ring Ø50x35.5x3	G	1
16	AS0010658	Ring nut with screwed holes Ø52 M33x1.5 H6	G	1
17	AQ0010358	Inox screw M5x16 ISO 7045	-	2
18	AQ0010273	Hoses M10x1 G1/2" F L400 DN8	G	1
19	AQ0010360	Rubber packing 1/2" H2 with filter	-	1
20	AQ0009678	Elastic ring AISI 302	-	1
21	AQ0010983	Flow reduction valve 5 LT Ø14 (31.4150.0)	-	1





WE ARE IB

WARRANTY

All IB Rubinetterie SpA products are warranted for 10 years from the date of purchase, for the following cases:

- Defects of casting, porosity and chrome plating.
- Operating defects caused by incorrect fabrication.

The warranty provides for repair or replacement of products with fabrication defects recognized by our technical office. There is no other type of compensation anche the merchandise must be returned FOB our warehouse. The warranty only cover surface defects (scartches, dings, etc.) on fitting that have not been installed and used, returned in its original packaging with all components. O-ring, gasket seals and components subject to wear proportional to use are warranted for 2 years.

The warranty is void in the following cases:

Error installing and putting the product into service.

Deterioration of finished surfaces due to use of cleaning products containing acids or abrasive substances.

Deterioration of surface with finishes other than chrome plating. Their durability is, in fact, dependent on the user's care and gentleness of use.

Deterioration of the fitting due incorrect installation.

Improper repairs and maintenance performed without the company's prior authorization.

The warranty from IB Rubinetterie SpA is not renewable.

Cleaning

We recommanded cleaning the finish surfaces with water and soap, using a soft cloth.

Do not use detergents that cointain hydrochloric acid or abrasive substances.