



WE ARE IB

Collection

Shower rail

Article

SH111

Description

Shower rail three jets



Box Dimensions

810x430x465 mm

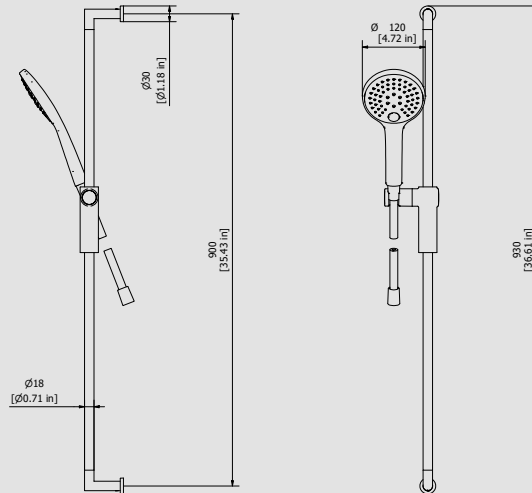
Weight

1.8 kg

Finishes

- CC** CHROME
- PL** PLATINUM
- SS** BRUSHED NICKEL
- ON** NATURAL BRASS
- BO** MATT WHITE
- NP** MATT BLACK
- CF** BLACK CHROME
- CS** BRUSHED BLACK CHROME
- II** PALE GOLD
- IS** BRUSHED PALE GOLD
- RS** ROSE GOLD
- SR** BRUSHED ROSE GOLD
- OO** GOLD
- OS** BRUSHED GOLD
- RR** ANTIQUE COPPER
- BB** ANTIQUE BRONZE

Dimensions



Cartridge

-

Threaded fitting

G1/2" female

Aerator

-

Flow Rate (+/-10%)

1 BAR	2 BAR	3 BAR
7 l/m	9 l/m	12 l/m

Production

Main body is a single hot stamped pieces

Material

BRASS
According to CuZn39Pb3 (CW614N)
Max Lead content: 2.5%

IB RUBINETTERIE s.p.a
via dei Pianotti 3/5
25068 Sarezzo (BS) - Italy -

T. +39 030 802101
F. +39 030 803097
info@weareib.it

P.IVA 01785230986
capitale sociale
€420.000,00 i.v.

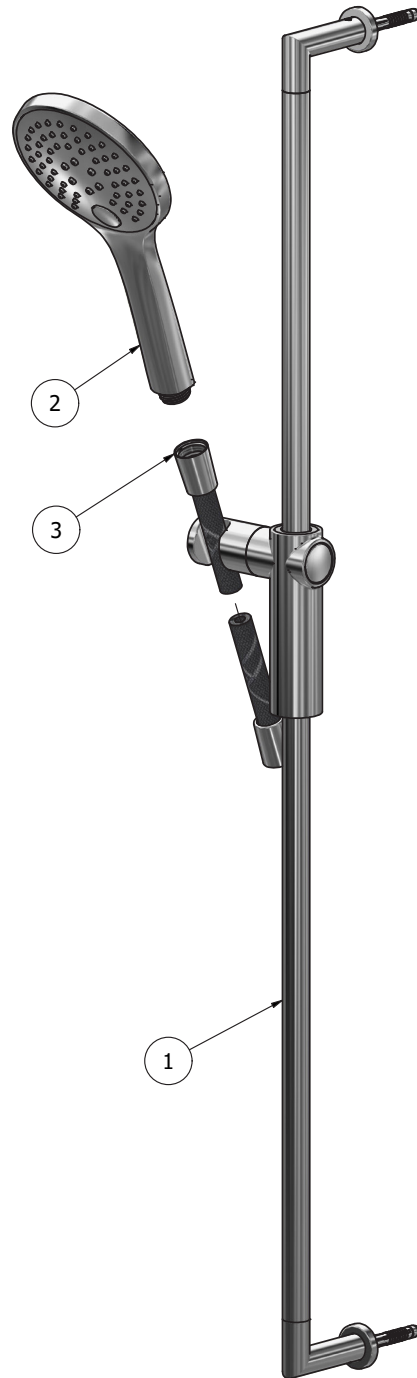
www.weareib.it





WE ARE IB

Parts list				
ITEMS	CODE	DESCRIPTION	FIN	QTÀ
1	AQ0015203	Rail shower 900 mm	F	1
2	AQ0015213	Hand shower clean three jets 12x12	-	1
3	AQ0018056	Flex chromalux snapon G1/2" F L1500 Silver	F	1





WE ARE IB

WARRANTY

All IB Rubinetterie SpA products are warranted for 10 years from the date of purchase, for the following cases:

- Defects of casting, porosity and chrome plating.
- Operating defects caused by incorrect fabrication.

The warranty provides for repair or replacement of products with fabrication defects recognized by our technical office. There is no other type of compensation anche the merchandise must be returned FOB our warehouse. The warranty only cover surface defects (scartches, dings, etc.) on fitting that have not been installed and used, returned in its original packaging with all components. O-ring, gasket seals and components subject to wear proportional to use are warranted for 2 years.

The warranty is void in the following cases:

Error installing and putting the product into service.

Deterioration of finisched surfaces due to use of cleaning products containing acids or abrasive substances.

Deterioration of surface with finishes other than chrome plating. Their durability is, in fact, dependent on the user's care and gentleness of use.

Deterioration of the fitting due incorrect installation.

Improper repairs and maintenance performed without the company's prior authorization.

The warranty from IB Rubinetterie SpA is not renewable.

Cleaning

We recommended cleaning the finish surfaces with water and soap, using a soft cloth.

Do not use detergents that cointain hydrochloric acid or abrasive substances.