



WE ARE IB

Collection

SOLFERINO

Article

S0008

Description

Robe hook

Box Dimensions

60 x 60 x 60 mm

Weight

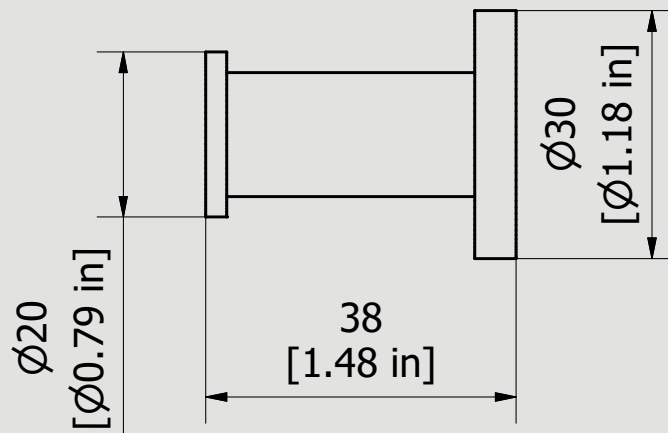
0.2 kg



Finishes

- **CC** CHROME
- **CF** BLACK CHROME
- **OO** GOLD
- **MB** MODERN BRONZE
- **SS** BRUSHED NICKEL
- **CS** BRUSHED BLACK CHROME
- **BO** MATT WHITE
- **NP** MATT BLACK
- **IS** BRUSHED PALE GOLD
- **OS** BRUSHED GOLD
- **II** PALE GOLD
- **RR** ANTIQUE COPPER
- **RS** ROSE GOLD
- **ON** NATURAL BRASS
- **SR** BRUSHED ROSE GOLD
- **PL** PLATINUM

Dimensions



Cartridge

Hoses

Aerator

Flow Rate (+/-10%)

1 BAR

2 BAR

3 BAR

Production

Material

IB RUBINETTERIE s.p.a
 via dei Pianotti 3/5
 25068 Sarezzo (BS) - Italy -

T. +39 030 802101
 F. +39 030 803097
 info@weareib.it

P.IVA 01785230986
 capitale sociale
 €420.000,00 i.v.

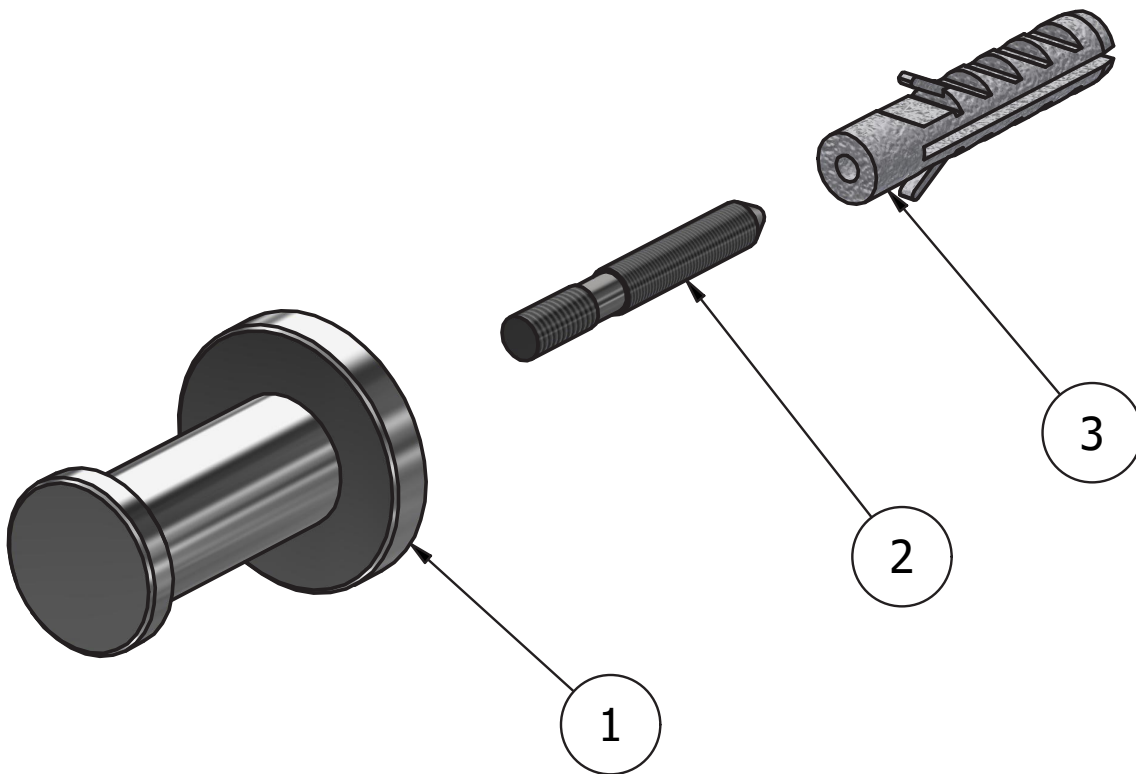
www.weareib.it





WE ARE **IB**

| Parts list | | | | |
|------------|-----------|-----------------------|-----|-----|
| ITEMS | CODE | DESCRIPTION | FIN | QTÀ |
| 1 | AC0017713 | Hook Ø30 Ø20 H39.5 | F | 1 |
| 2 | AQ0015880 | Junction screw M5 L40 | - | 1 |
| 3 | AQ0010660 | Dowel fisher Ø8 L40 | - | 1 |





WE ARE IB

WARRANTY

All IB Rubinetterie SpA products are warranted for 10 years from the date of purchase, for the following cases:

- Defects of casting, porosity and chrome plating.
- Operating defects caused by incorrect fabrication.

The warranty provides for repair or replacement of products with fabrication defects recognized by our technical office. There is no other type of compensation anche the merchandise must be returned FOB our warehouse. The warranty only cover surface defects (scartches, dings, etc.) on fitting that have not been installed and used, returned in its original packaging with all components. O-ring, gasket seals and components subject to wear proportional to use are warranted for 2 years.

The warranty is void in the following cases:

Error installing and putting the product into service.

Deterioration of finished surfaces due to use of cleaning products containing acids or abrasive substances.

Deterioration of surface with finishes other than chrome plating. Their durability is, in fact, dependent on the user's care and gentleness of use.

Deterioration of the fitting due incorrect installation.

Improper repairs and maintenance performed without the company's prior authorization.

The warranty from IB Rubinetterie SpA is not renewable.

Cleaning

We recommanded cleaning the finish surfaces with water and soap, using a soft cloth.

Do not use detergents that cointain hydrochloric acid or abrasive substances.