

ISTRUZIONI DI MONTAGGIO

IT

FITTING INSTRUCTIONS

EN

INSTRUCTIONS DE MONTAGE

FR

INSTRUCCIONES DE MONTAJE

ES

Инструкции по монтажу

RU

إرشادات خاصة في تركيب

AR

BELMONDO



BT250



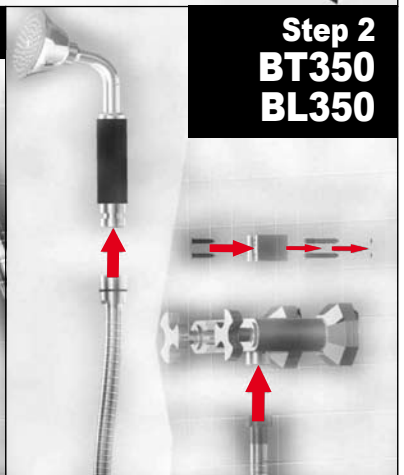
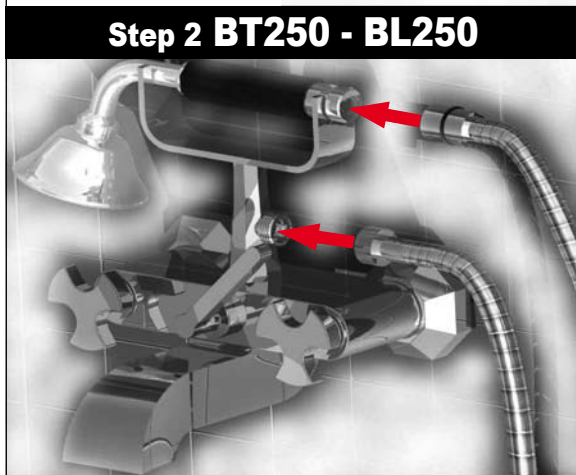
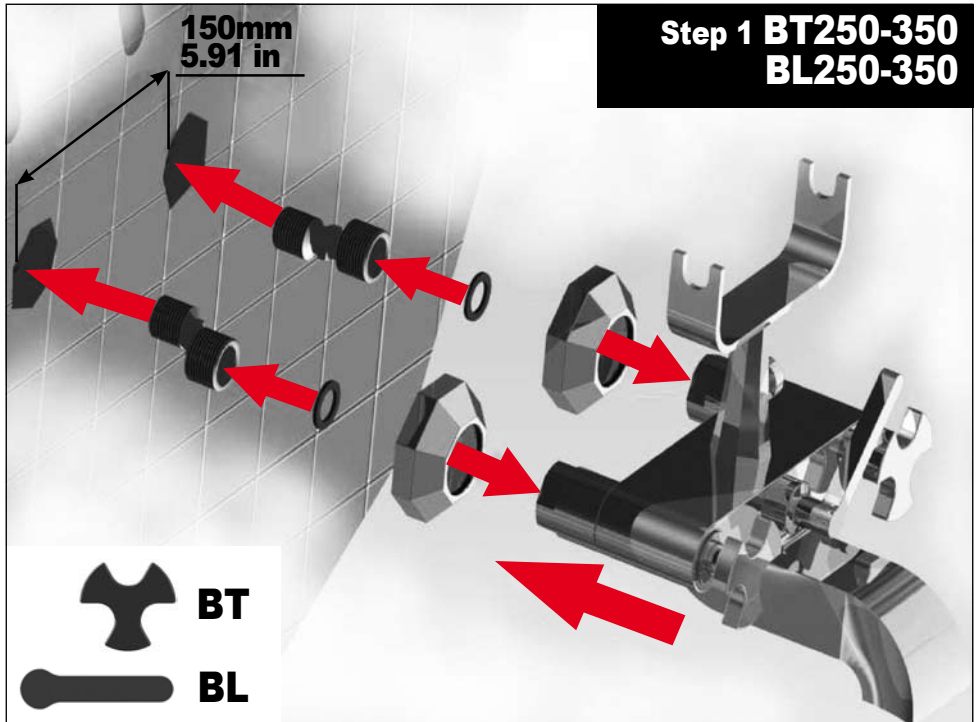
BL250



BT350



BL350



IMPORTANT

Pressure & Temperature Requirements.

- * Hot and cold water inlet pressures should be equal.
- * Inlet pressure range: 150-1000 kPa
- * New Regulation: -500 kPa maximum operating pressure at any outlet within a building. (Ref. AS/NZS 3500.1-2003, Clause 3.3.4)
- * Maximum hot water temperature: 80°C.



www.ibrubinetterie.it

IB RUBINETTERIE s.p.a.

via dei Pianotti 3/5
25068 Sarezzo (BS)

phone +39 030 802101

fax +39 030 803097

ibrubinetterie@ibrubinetterie.it

www.ibrubinetterie.it