



WE ARE IB

Collection

TAAAC

Article

AA210

Description

Ceiling spout with wall mounted mixer

Built-in body to be purchased separately INC300.

Box Dimensions

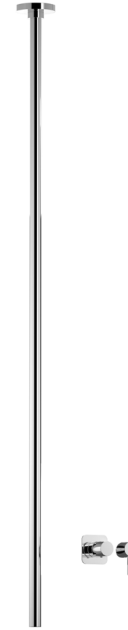
150x190x98 mm
1700 Ø70 mm

Weight

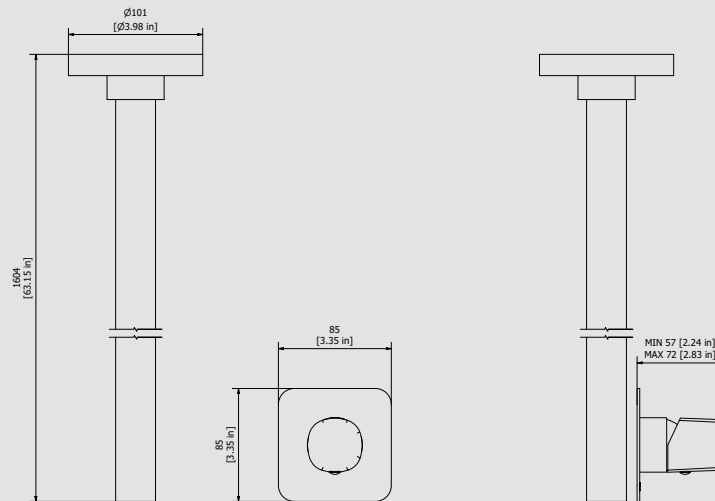
4.5 kg

Finishes

- **CC** CHROME
- **PL** PLATINUM
- **SS** BRUSHED NICKEL
- **ON** NATURAL BRASS
- **BO** MATT WHITE
- **NP** MATT BLACK
- **CF** BLACK CHROME
- **CS** BRUSHED BLACK CHROME
- **II** PALE GOLD
- **IS** BRUSHED PALE GOLD
- **RS** ROSE GOLD
- **SR** BRUSHED ROSE GOLD
- **OO** GOLD
- **OS** BRUSHED GOLD
- **RR** ANTIQUE COPPER
- **BB** ANTIQUE BRONZE



Dimensions



Cartridge

Ø35 ceramic cartridge

Threaded fitting

G1/2" Male

Aerator

M24x1

Flow Rate (+/-10%)

1 BAR	2 BAR	3 BAR
4.3 l/m	5.2 l/m	6.9 l/m

Production

Main body is a single hot stamped pieces

Material

BRASS
According to CuZn42 (CW510L)
Max Lead content: 0.2%

IB RUBINETTERIE s.p.a
via dei Pianotti 3/5
25068 Sarezzo (BS) - Italy -

T. +39 030 802101
F. +39 030 803097
info@weareib.it

P.IVA 01785230986
capitale sociale
€420.000,00 i.v.

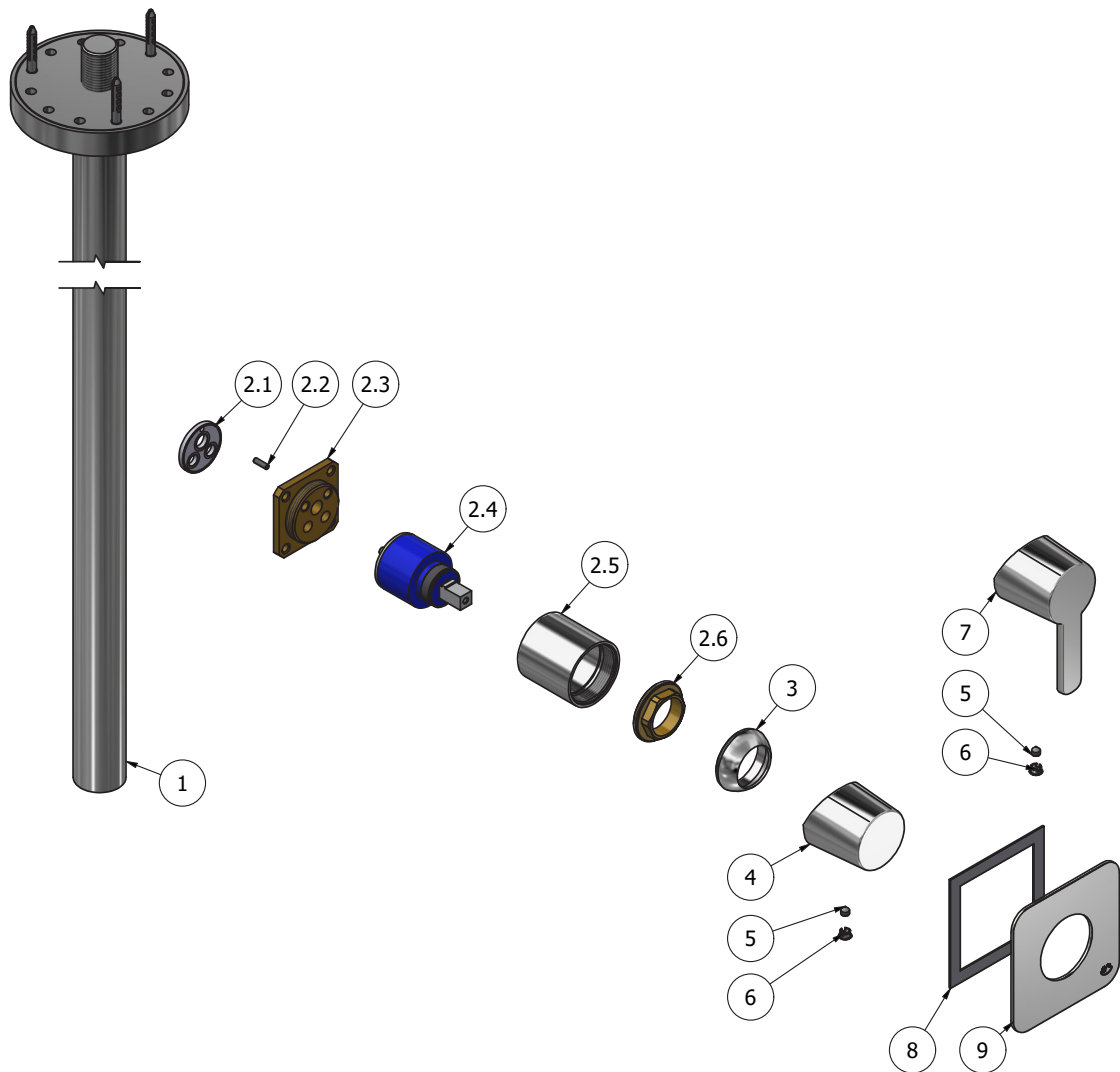
www.weareib.it





WE ARE IB

Parts list				
ITEMS	CODE	DESCRIPTION	FIN	QTÀ
1	AQ0014252	Ceiling wash basin mixer	F	1
2	CPIN206CC-19	Mixer 47x47 x recessed	-	1
2.1	AQ0015684	Gasket Ø31 H3.5 Ø7 Ø7.5	-	1
2.2	AQ0015357	Grubscrew M3x10 flat point	-	1
2.3	AS0013040	Insert 47x47 H11 M37x1.5	G	1
2.4	AQ0004095	Ceramic cartridge Ø35 9x9 (K35A)	-	1
2.5	AC0010445	Recessed ring Ø41 M37x1.5 H40.7	F	1
2.6	AQ0001040	Cartridge ring nut M37x1.5 H9	G	1
3	AQ0012068	Chromed cover nut Ø38,2 M37x1,5	F	1
4	AQ0015216	Handle Ø38 41.1x41.1 H42 front hole	F	1
5	AQ0009729	Grubscrew M5x5 cone point	-	2
6	AQ0006650	Plug cover Ø7	F	2
7	AQ0015215	Handle Ø38 41.1x41.1 H42 L89 front hole	F	1
8	AQ0015829	Rubber packing double-sided tape 75x75x8x1	-	1
9	AC0013100-TI	Plate 85x85x2	F	1





WE ARE IB

WARRANTY

All IB Rubinetterie SpA products are warranted for 10 years from the date of purchase, for the following cases:

- Defects of casting, porosity and chrome plating.
- Operating defects caused by incorrect fabrication.

The warranty provides for repair or replacement of products with fabrication defects recognized by our technical office. There is no other type of compensation anche the merchandise must be returned FOB our warehouse. The warranty only cover surface defects (scartches, dings, etc.) on fitting that have not been installed and used, returned in its original packaging with all components. O-ring, gasket seals and components subject to wear proportional to use are warranted for 2 years.

The warranty is void in the following cases:

Error installing and putting the product into service.

Deterioration of finished surfaces due to use of cleaning products containing acids or abrasive substances.

Deterioration of surface with finishes other than chrome plating. Their durability is, in fact, dependent on the user's care and gentleness of use.

Deterioration of the fitting due incorrect installation.

Improper repairs and maintenance performed without the company's prior authorization.

The warranty from IB Rubinetterie SpA is not renewable.

Cleaning

We recommended cleaning the finish surfaces with water and soap, using a soft cloth.

Do not use detergents that cointain hydrochloric acid or abrasive substances.