

Collection

TAAAC

Article

AA206

Description

Wall mounted bidet spray mixer

Built-in body to be purchased separately INC206

Box Dimensions

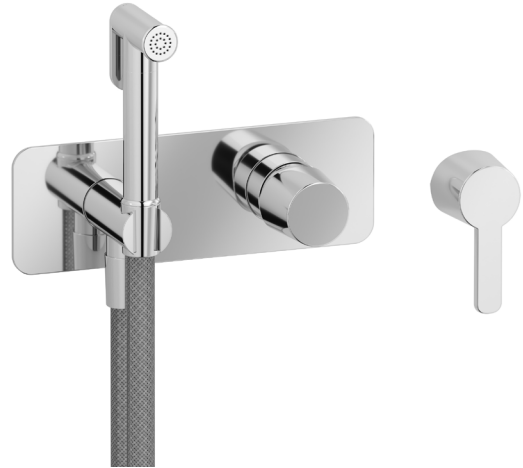
370x270x80 mm

Weight

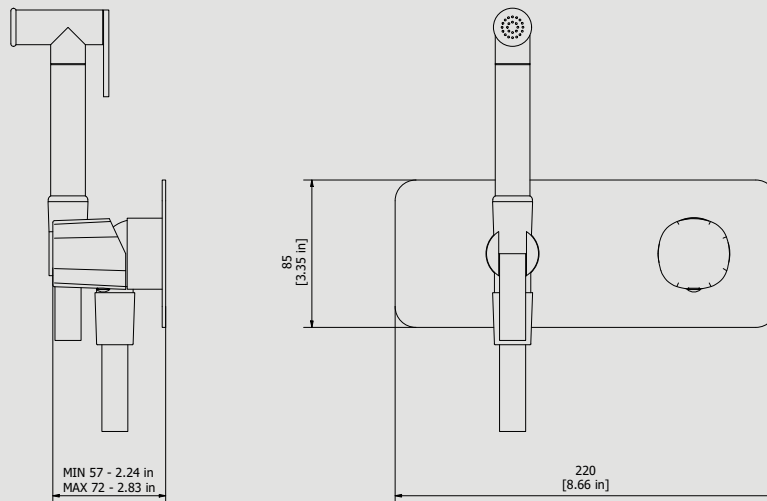
3.1 kg

Finishes

- | | | | | | |
|---------------------------|------------------------------|----------------------------------|-------------------------------|-------------------------------|-------------------------------------|
| ● CC
CHROME | ○ CF
BLACK CHROME | ○ OO
GOLD | ○ BB
ANTIQUÉ BRONZE | ● SS
BRUSHED NICKEL | ○ CS
BRUSHED BLACK CHROME |
| ● BO
MATT WHITE | ● NP
MATT BLACK | ○ IS
BRUSHED PALE GOLD | ● OS
BRUSHED GOLD | ○ II
PALE GOLD | ○ RR
ANTIQUÉ COPPER |
| ○ ORS
ROSE GOLD | ○ ON
NATURAL BRASS | ○ SR
BRUSHED ROSE GOLD | ○ PL
PLATINUM | | |



Dimensions



Cartridge

Ø35 ceramic cartridge

Threaded fitting

Flex snapon G1/2" F L100cm

Aerator

-

Flow Rate (+/-10%)

1 BAR 2.3 l/min	2 BAR 3.2 l/min	3 BAR 4 l/min
---------------------------	---------------------------	-------------------------

Production

Main body is a single casted pieces

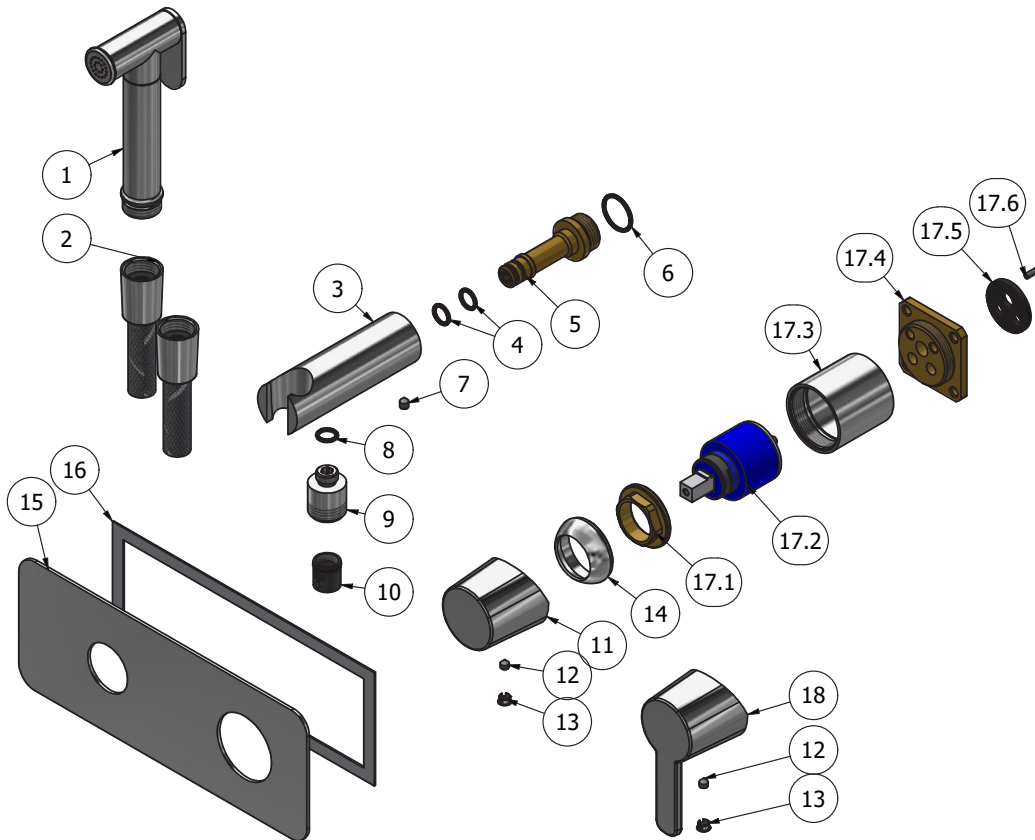
Material

BRASS
According to CuZn35Pb2AL-B (CB752S)
Max Lead content: 1.36%



WE ARE IB

Parts list				
ITEMS	CODE	DESCRIPTION	FIN	QTÀ
1	AQ0017943	Shut off tonda Ø20	F	1
2	AC0018055	Flex snapon G1/2" F L100cm Silver	F	2
3	AC0013053	Hand shower's support Ø30 L94.8	F	1
4	AQ0004180	OR 9.25x1.78 NBR 70 SH	-	2
5	AS0018164	Bayonet coupling G1/2" M H62.5	G	1
6	AQ0004640	OR 18.77x1.78 NBR 70 SH	-	1
7	AQ0014670	Grubscrew M5x6 cone point	-	1
8	AQ0001340	OR 8.73x1.78 NBR 70 SH	-	1
9	AC0013052	Reduction G1/2" M M12x1 M H20.5	F	1
10	AQ0013247	Flow reduction+CV Ø15 4L	-	1
11	AQ0015216	Handle Ø38 41.1x41.1 H42 front hole	F	1
12	AQ0009729	Grubscrew M5x5 cone point	-	2
13	AQ0006650	Plug cover Ø7	F	2
14	AQ0012068	Chromed cover nut Ø38,2 M37x1,5	F	1
15	AC0013126	Plate 220x85x2	F	1
16	AQ0014142	Rubber packing double-sided tape 200x75x8x1	-	1
17	CPIN206CC-19	Mixer 47x47 x recessed	-	1
17.1	AQ0001040	Cartridge ring nut M37x1.5 H9	G	1
17.2	AQ0004095	Ceramic cartridge Ø35 9x9 (K35A)	-	1
17.3	AC0010445	Recessed ring Ø41 M37x1.5 H40.7	F	1
17.4	AS0013040	Insert 47x47 H11 M37x1.5	G	1
17.5	AQ0015684	Gasket Ø31 H3.5 Ø7 Ø7.5	-	1
17.6	AQ0015357	Grubscrew M3x10 flat point	-	1
18	AQ0015215	Handle Ø38 41.1x41.1 H42 L89 front hole	F	1





WE ARE IB

WARRANTY

All IB Rubinetterie SpA products are warranted for 10 years from the date of purchase, for the following cases:

- Defects of casting, porosity and chrome plating.
- Operating defects caused by incorrect fabrication.

The warranty provides for repair or replacement of products with fabrication defects recognized by our technical office. There is no other type of compensation anche the merchandise must be returned FOB our warehouse. The warranty only cover surface defects (scartches, dings, etc.) on fitting that have not been installed and used, returned in its original packaging with all components. O-ring, gasket seals and components subject to wear proportional to use are warranted for 2 years.

The warranty is void in the following cases:

Error installing and putting the product into service.

Deterioration of finished surfaces due to use of cleaning products containing acids or abrasive substances.

Deterioration of surface with finishes other than chrome plating. Their durability is, in fact, dependent on the user's care and gentleness of use.

Deterioration of the fitting due incorrect installation.

Improper repairs and maintenance performed without the company's prior authorization.

The warranty from IB Rubinetterie SpA is not renewable.

Cleaning

We recommanded cleaning the finish surfaces with water and soap, using a soft cloth.

Do not use detergents that cointain hydrochloric acid or abrasive substances.