



WE ARE IB

Collection

TAAAC

Article

AA740

Description

Two holes deck mounted bath filler

Box Dimensions

360x220x150 mm

Weight

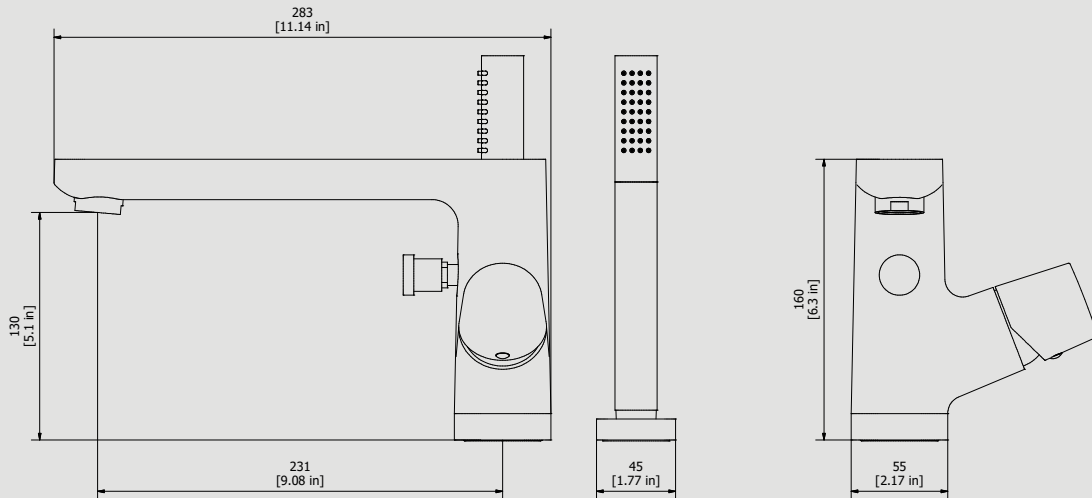
5.5 kg

Finishes

- **CC** CHROME
- **CF** BLACK CHROME
- **OO** GOLD
- **BB** ANTIQUE BRONZE
- **SS** BRUSHED NICKEL
- **CS** BRUSHED BLACK CHROME
- **BO** MATT WHITE
- **NP** MATT BLACK
- **IS** BRUSHED PALE GOLD
- **OS** BRUSHED GOLD
- **II** PALE GOLD
- **RR** ANTIQUE COPPER
- **ORS** ROSE GOLD
- **ON** NATURAL BRASS
- **SR** BRUSHED ROSE GOLD
- **PL** PLATINUM



Dimensions



Cartridge

Ø40 ceramic cartridge

Hoses

Inox hoses G1/2" female 600 mms long

Aerator

M28x1

Flow Rate (+/-10%)

1 BAR	2 BAR	3 BAR
15.5 l/min	21.4 l/min	26.8 l/min

Production

Main body is a single casted pieces

Material

BRASS
According to CuZn35Pb2AL-B (CB752S)
Max Lead content: 1.36%

IB RUBINETTERIE s.p.a
via dei Pianotti 3/5
25068 Sarezzo (BS) - Italy -

T. +39 030 802101
F. +39 030 803097
info@weareib.it

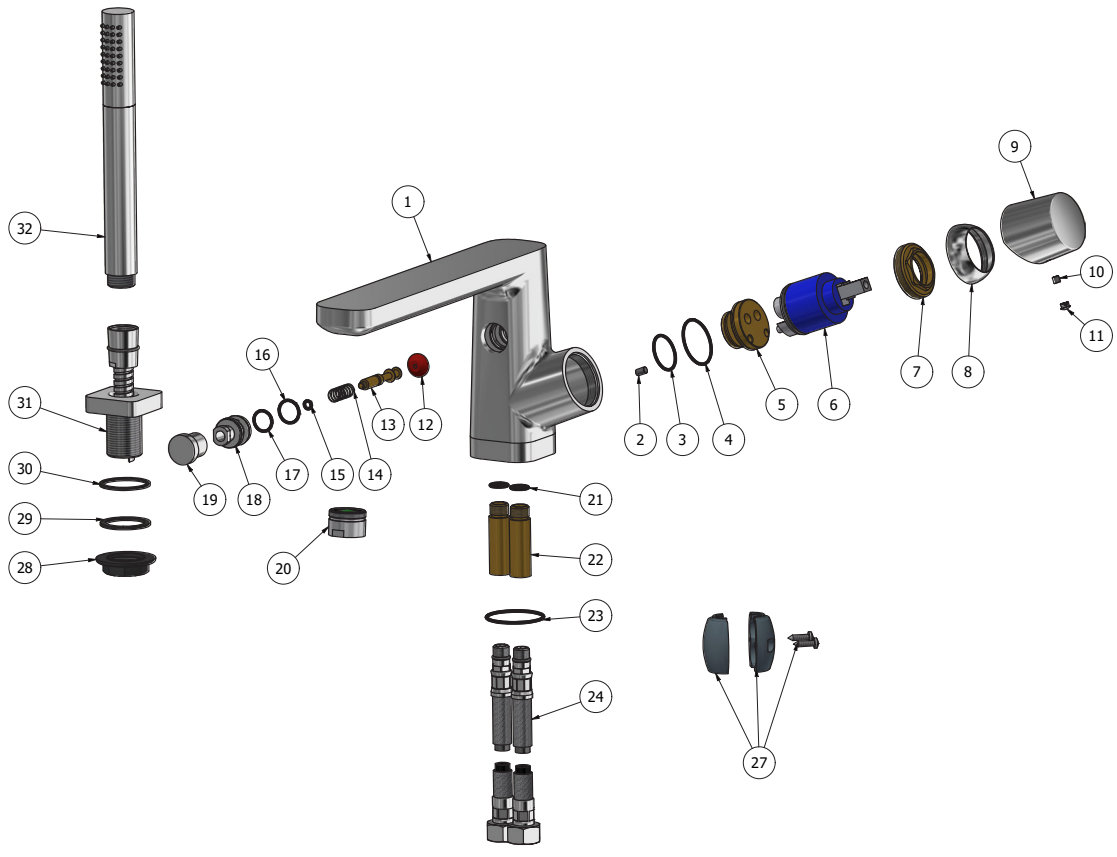
P.IVA 01785230986
capitale sociale
€420.000,00 i.v.

www.weareib.it

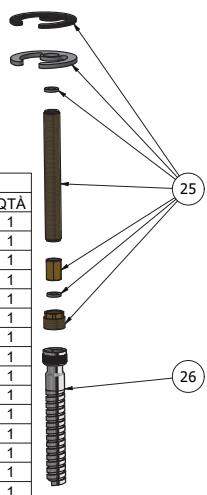




WE ARE IB



Parts list			
ELEM.	CODE	DESCRIPTION	QTA
1	CC0002375	Mixer body 55x55x49 H160 L280	1
2	AQ0001090	Grubscrew M5x8 flat point	1
3	AQ0006586	OR 25.12x1.78 NBR 70 SH	1
4	AQ0008026	OR 33.05x1.78 NBR 70 SH	1
5	AS0012676	Insert Ø38 Ø28.5 H21	1
6	AQ0004065	Ceramic cartridge Ø40	1
7	AS0012363	Cartridge fixing nut M42x1.5 H12	1
8	AQ0007075	Nut cover W42x19 Ø46	1
9	AC0012675	Handle Ø50 Ø45 H45	1
10	AQ0001100	Grubscrew M5x5 flat point	1
11	AQ0006650	Plug cover Ø7	1
12	AQ0000340	Biconic packaging NBR 60SH 18 x 9,6	1
13	AS0012435	Rod for diverter	1
14	AQ0001300	Spring F 0,6 D.E. 9,8 Sp.	1
15	AQ0001410	OR 4.2x1.9 NBR 70 SH	1
16	AQ0004600	OR 15.6x1.78 NBR 70 SH	1
17	AQ0009818	OR 14x1.78 NBR 70 SH	1
18	AC0012436	Diverter body	1
19	AC0010455	Diverter knob Ø23 x 18,5 H.22,6	1
20	AQ0009068	Neostrahl LP flow straightener - TF size (01.455.00001)	1
21	AQ0010152	OR 11x2 NBR 70 SH	2
22	AS0010426	Extension for flexible hose connection	1
23	AQ0013363	OR 41x2 NBR 70 SH	1
24	AQ0010430		2
25	AQ0013477	Fixing set	1
26	AQ0009555	Second Terminal M15x1.5	1
27	AQ0002181	Lead Ø14	1
28	AQ0004710	Locknut PLS 3/4"	1
29	AQ0009716	Rubber packing 38x30x2	1
30	AQ0010274	Rubber packing Ø38x33.5x2	1
31	AC0011258	Shower holder 45x45x30x30 H47	1
32	AQ0013557	Onair hand shower	1





WE ARE IB

WARRANTY

All IB Rubinetterie SpA products are warranted for 10 years from the date of purchase, for the following cases:

- Defects of casting, porosity and chrome plating.
- Operating defects caused by incorrect fabrication.

The warranty provides for repair or replacement of products with fabrication defects recognized by our technical office. There is no other type of compensation anche the merchandise must be returned FOB our warehouse. The warranty only cover surface defects (scartches, dings, etc.) on fitting that have not been installed and used, returned in its original packaging with all components. O-ring, gasket seals and components subject to wear proportional to use are warranted for 2 years.

The warranty is void in the following cases:

Error installing and putting the product into service.

Deterioration of finished surfaces due to use of cleaning products containing acids or abrasive substances.

Deterioration of surface with finishes other than chrome plating. Their durability is, in fact, dependent on the user's care and gentleness of use.

Deterioration of the fitting due incorrect installation.

Improper repairs and maintenance performed without the company's prior authorization.

The warranty from IB Rubinetterie SpA is not renewable.

Cleaning

We recommanded cleaning the finish surfaces with water and soap, using a soft cloth.

Do not use detergents that cointain hydrochloric acid or abrasive substances.