



WE ARE IB

Collection

# ACCIAIO

Article

## AC382

Description

Lateral lever and extractible shower sink mixer.

Box Dimensions

685x345x168 mm

Weight

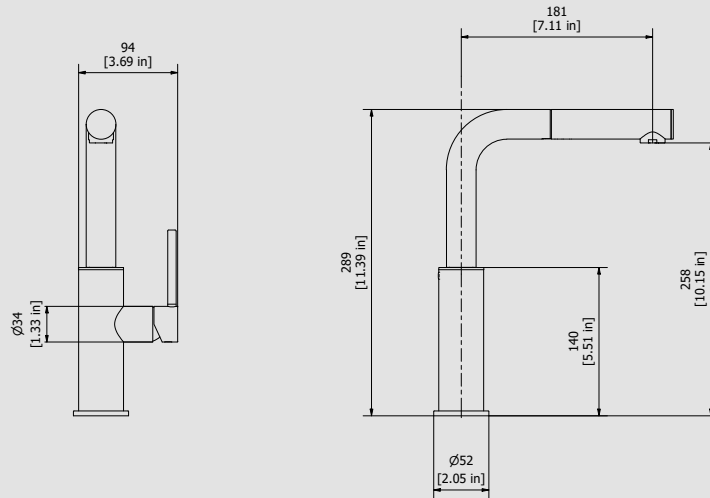
2.7 kg

Finishes

- CC**  
CHROME
- PL**  
PLATINUM
- SS**  
BRUSHED  
NICKEL
- ON**  
NATURAL  
BRASS
- BO**  
MATT  
WHITE
- NP**  
MATT  
BLACK
- CF**  
BLACK  
CHROME
- CS**  
BRUSHED  
BLACK  
CHROME
- II**  
PALE  
GOLD
- IS**  
BRUSHED  
PALE GOLD
- RS**  
ROSE  
GOLD
- SR**  
BRUSHED  
ROSE GOLD
- OO**  
GOLD
- OS**  
BRUSHED  
GOLD
- RR**  
ANTIQUÉ  
COPPER
- BB**  
ANTIQUÉ  
BRONZE



Dimensions



Cartridge

-

Threaded fitting

-

Aerator

Extractible shower

Flow Rate (+/-10%)

1 BAR  
6 l/m

2 BAR  
7 l/m

3 BAR  
9 l/m

Production

Main body is a single hot stamped pieces

Material

STAINLESS STEEL  
AISI 316

IB RUBINETTERIE s.p.a  
via dei Pianotti 3/5  
25068 Sarezzo (BS) - Italy -

T. +39 030 802101  
F. +39 030 803097  
info@weareib.it

P.IVA 01785230986  
capitale sociale  
€420.000,00 i.v.

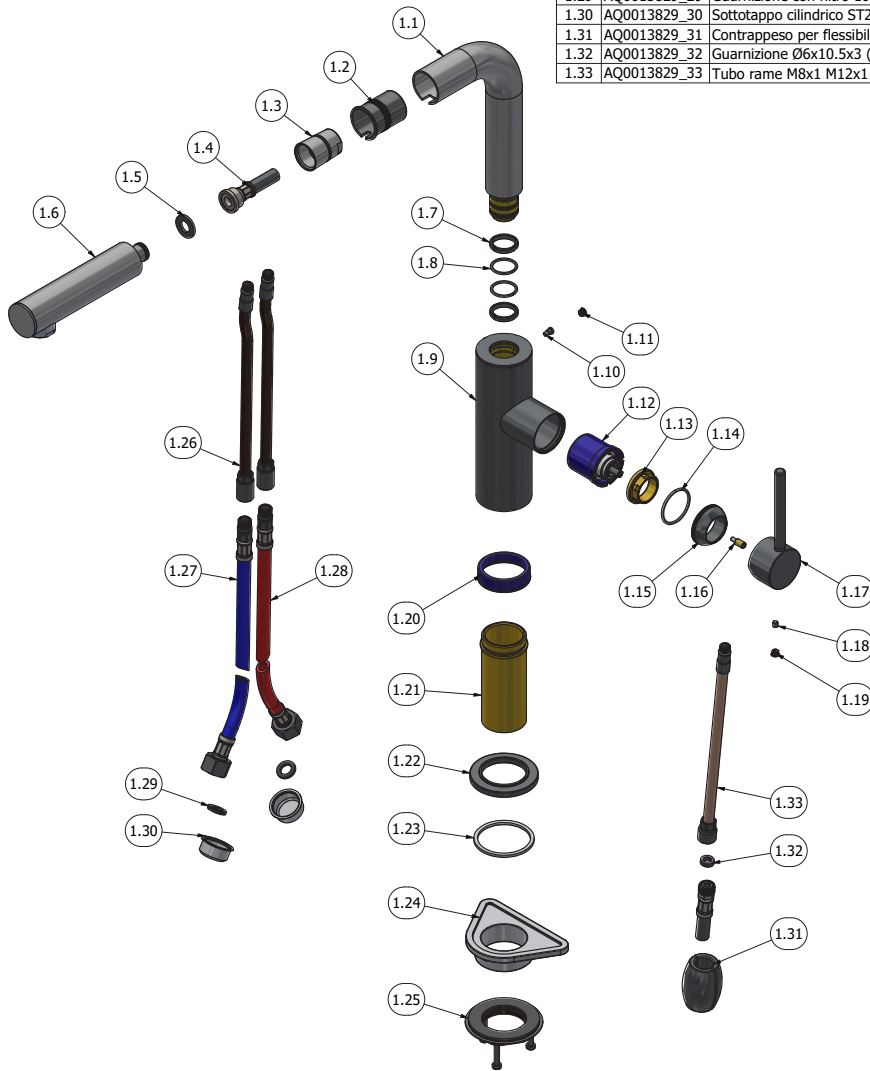
www.weareib.it





WE ARE IB

ELENCO PARTI			
ELEM.	CODICE	DESCRIZIONE	FIN QTA
1	AQ0013829	Misc.mon.lavello doccia estraibile (0010028)	- 1
1.1	AQ0013829_1	Bocca estraibile saldata Ø28 (P001144)	F 1
1.2	AQ0013829_2	Inserto guida bocca estraibile D25,1 H34,5 (V013024)	- 1
1.3	AQ0013829_3	Calotta conica G1/2" Flex (V043023)	F 1
1.4	AQ0013829_4	Flex nylon 150cm G1/2" M12x1 P6G (V019103)	- 1
1.5	AQ0013829_5	Flex nylon 150cm 1/2 M12Z1 p6G (V019103)	- 1
1.6	AQ0013829_6	Doccia Micro Evo l.115 (V013058S)	- 1
1.7	AQ0013829_7	Rondella di guida per canne 17.55x21.65x3.7 (V030011)	- 2
1.8	AQ0013829_8	O-ring 1.78x17.17 (V017008)	- 2
1.9	AQ0013829_9	Corpo lavello estraibile Dylan Sald. (P001142)	F 1
1.10	AQ0013829_10	Vite inox M4x6 (P039081)	- 1
1.11	AQ0013829_11	Placchetta Ø6.5 4 denti (V024025)	F 1
1.12	AQ0013829_12	Cartuccia Kerox 25 (V001077)	- 1
1.13	AQ0013829_13	Ghiera di serraggio M28x1 (P017039)	- 1
1.14	AQ0013829_14	O-ring 25.12x1.78 (V017037)	- 1
1.15	AQ0013829_15	Copricartuccia (P001051)	F 1
1.16	AQ0013829_16	Vite sottoleva Dylan Ø6 M4 (P001124)	- 1
1.17	AQ0013829_17	Marcatura leva Ø33 L75 IB	F 1
1.18	AQ0013829_18	Grano M4x4 p.p. (V012003)	- 1
1.19	AQ0013829_19	Tappino silicone per leve (P010007)	- 1
1.20	AQ0013829_20	Ghiera riduzione M40x1 W34/19"F (P001046)	- 1
1.21	AQ0013829_21	Gambo filettato standard Ø34x19"F (P001020)	- 1
1.22	AQ0013829_22	Basetta lavello cucina (P003058)	F 1
1.23	AQ0013829_23	Guarnizione Ø40.2x45.8x2 (V029055)	- 1
1.24	AQ0013829_24	Rinforzo sottolavello Moplen (V016015)	- 1
1.25	AQ0013829_25	Confezione di fissaggio W34x19"F (V016070S)	- 1
1.26	AQ0013829_26	Tubo rame M8x1 F10x1 L165 (P001115)	- 2
1.27	AQ0013829_27	Flex inox DN6 cm37 10x1C F3/8 DVGW B	- 1
1.28	AQ0013829_28	Flex inox DN6 cm37 10x1C F3/8 DVGW R	- 1
1.29	AQ0013829_29	Guarnizione con filtro 10x14x2.1 (V038002)	- 2
1.30	AQ0013829_30	Sottotappo cilindrico ST22.5 (V024002)	- 2
1.31	AQ0013829_31	Contrappeso per flessibile (V019019)	- 1
1.32	AQ0013829_32	Guarnizione Ø6x10.5x3 (V029004)	- 1
1.33	AQ0013829_33	Tubo rame M8x1 M12x1 L190 (P001116)	- 1





WE ARE IB

### **WARRANTY**

All IB Rubinetterie SpA products are warranted for 10 years from the date of purchase, for the following cases:

- Defects of casting, porosity and chrome plating.
- Operating defects caused by incorrect fabrication.

The warranty provides for repair or replacement of products with fabrication defects recognized by our technical office. There is no other type of compensation anche the merchandise must be returned FOB our warehouse. The warranty only cover surface defects (scartches, dings, etc.) on fitting that have not been installed and used, returned in its original packaging with all components. O-ring, gasket seals and components subject to wear proportional to use are warranted for 2 years.

#### **The warranty is void in the following cases:**

Error installing and putting the product into service.

Deterioration of finisched surfaces due to use of cleaning products containing acids or abrasive substances.

Deterioration of surface with finishes other than chrome plating. Their durability is, in fact, dependent on the user's care and gentleness of use.

Deterioration of the fitting due incorrect installation.

Improper repairs and maintenance performed without the company's prior authorization.

The warranty from IB Rubinetterie SpA is not renewable.

#### **Cleaning**

We recommended cleaning the finish surfaces with water and soap, using a soft cloth.

Do not use detergents that cointain hydrochloric acid or abrasive substances.