



WE ARE IB

Collection

BOLD

Article

B2327_22

Description

Wall mounted bath spout

Box Dimensions

340 x 180 x 70 mm

Weight

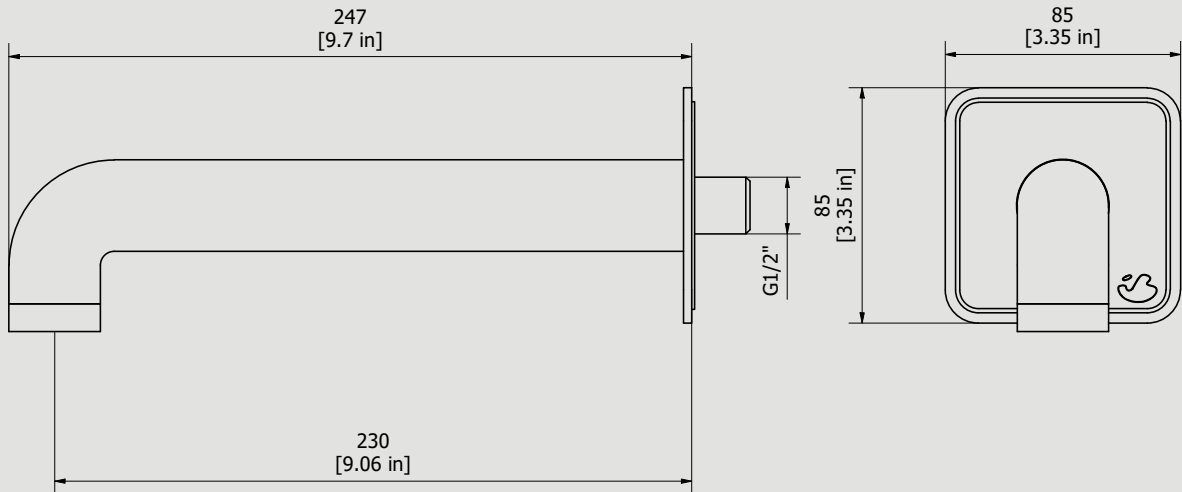
1 kg

Finishes

- **CC** CHROME
- **CF** BLACK CHROME
- **OO** GOLD
- **MB** MODERN BRONZE
- **SS** BRUSHED NICKEL
- **CS** BRUSHED BLACK CHROME
- **BO** MATT WHITE
- **NP** MATT BLACK
- **IS** BRUSHED PALE GOLD
- **OS** BRUSHED GOLD
- **II** PALE GOLD
- **RR** ANTIQUE COPPER
- **RS** ROSE GOLD
- **ON** NATURAL BRASS
- **SR** BRUSHED ROSE GOLD
- **PL** PLATINUM



Dimensions



Cartridge

Threaded fitting

G1/2" male

Aerator

M24x1

Flow Rate (+/-10%)

1 BAR
12.3 l/min

2 BAR
17.5 l/min

3 BAR
21.8 l/min

Production

Main body is a single casted pieces

Material

BRASS
According to CuZn35Pb2Al-B (CB752S)
Max Lead content: 1.36%

IB RUBINETTERIE s.p.a
via dei Pianotti 3/5
25068 Sarezzo (BS) - Italy -

T. +39 030 802101
F. +39 030 803097
info@weareib.it

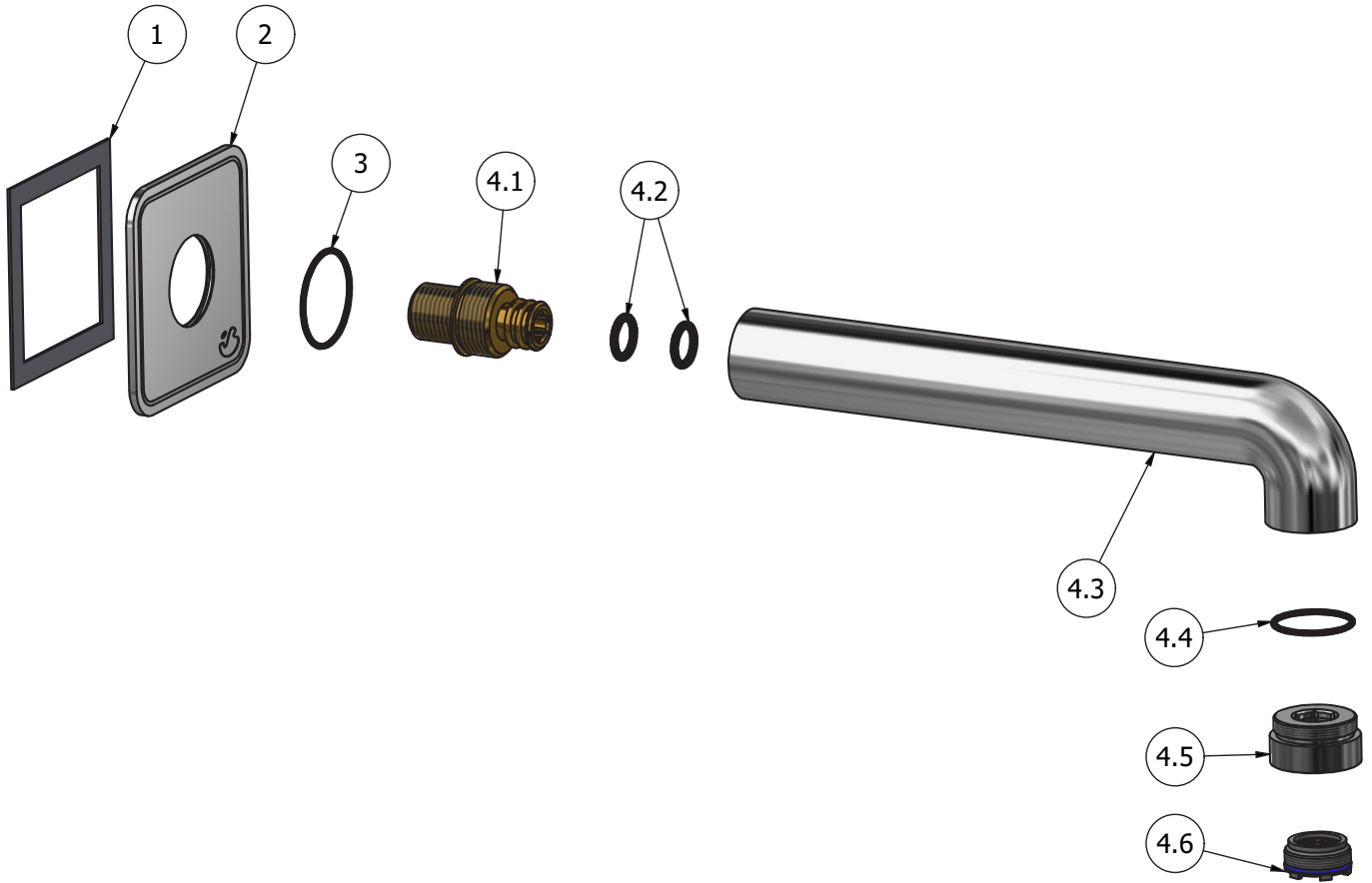
P.IVA 01785230986
capitale sociale
€420.000,00 i.v.

www.weareib.it





WE ARE IB



Parts list				
ITEMS	CODE	DESCRIPTION	FIN	QTÀ
1	AQ0015829	Rubber packing double-sided tape 75x75x8x1	-	1
2	AC1018084	Plate machined 85x85x3 Ø33.5	F	1
3	AQ0008026	OR 33.05x1.78 NBR 70 SH	-	1
4	CPUL320CC-3	Preassembled spout	F	1
4.1	AS0016104	Spout-out insert G1/2" M G"3/4M L50	G	1
4.2	AQ0001360	OR 11.91x2.62 NBR 70 SH	-	2
4.3	CC0002443	Spout Ø33 L246.5 Pb 0.2%	F	1
4.4	AQ0010564	OR 26.7x1.78 NBR 70 SH	-	1
4.5	AC0017717	Support for aerator Ø33 M30x1.5 H17 knurled	F	1
4.6	AQ0010587	Perlator cahcè M24x1 antispash (40.9300.010)	-	1



WE ARE **IB**

WARRANTY

All IB Rubinetterie SpA products are warranted for 10 years from the date of purchase, for the following cases:

- Defects of casting, porosity and chrome plating.
- Operating defects caused by incorrect fabrication.

The warranty provides for repair or replacement of products with fabrication defects recognized by our technical office. There is no other type of compensation anche the merchandise must be returned FOB our warehouse. The warranty only cover surface defects (scartches, dings, etc.) on fitting that have not been installed and used, returned in its original packaging with all components. O-ring, gasket seals and components subject to wear proportional to use are warranted for 2 years.

The warranty is void in the following cases:

Error installing and putting the product into service.

Deterioration of finished surfaces due to use of cleaning products containing acids or abrasive substances.

Deterioration of surface with finishes other than chrome plating. Their durability is, in fact, dependent on the user's care and gentleness of use.

Deterioration of the fitting due incorrect installation.

Improper repairs and maintenance performed without the company's prior authorization.

The warranty from IB Rubinetterie SpA is not renewable.

Cleaning

We recommended cleaning the finish surfaces with water and soap, using a soft cloth.

Do not use detergents that cointain hydrochloric acid or abrasive substances.