

Collection

BOLD

Article

B2396

Description

Five holes deck mounted bath filler with shower kit

Box Dimensions

675 x 320 x 80 mm

Weight

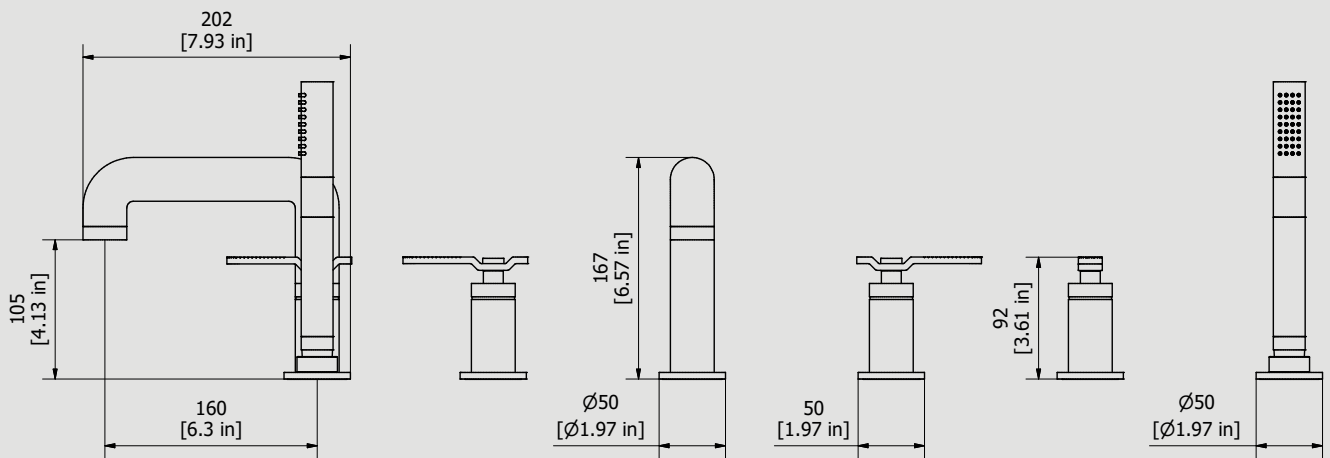
5.9 kg

Finishes

- **CC** CHROME
- **CF** BLACK CHROME
- **OO** GOLD
- **MB** MODERN BRONZE
- **SS** BRUSHED NICKEL
- **CS** BRUSHED BLACK CHROME
- **BO** MATT WHITE
- **NP** MATT BLACK
- **IS** BRUSHED PALE GOLD
- **OS** BRUSHED GOLD
- **II** PALE GOLD
- **RR** ANTIQUE COPPER
- **RS** ROSE GOLD
- **ON** NATURAL BRASS
- **SR** BRUSHED ROSE GOLD
- **PL** PLATINUM



Dimensions



Cartridge

G1/2" ceramic cartridge

Threaded fitting

G1/2" male

Aerator

M24x1

Flow Rate (+/-10%)

1 BAR	2 BAR	3 BAR
13.6 l/min	19.1 l/min	23.6 l/min

Production

Main body is a single casted pieces

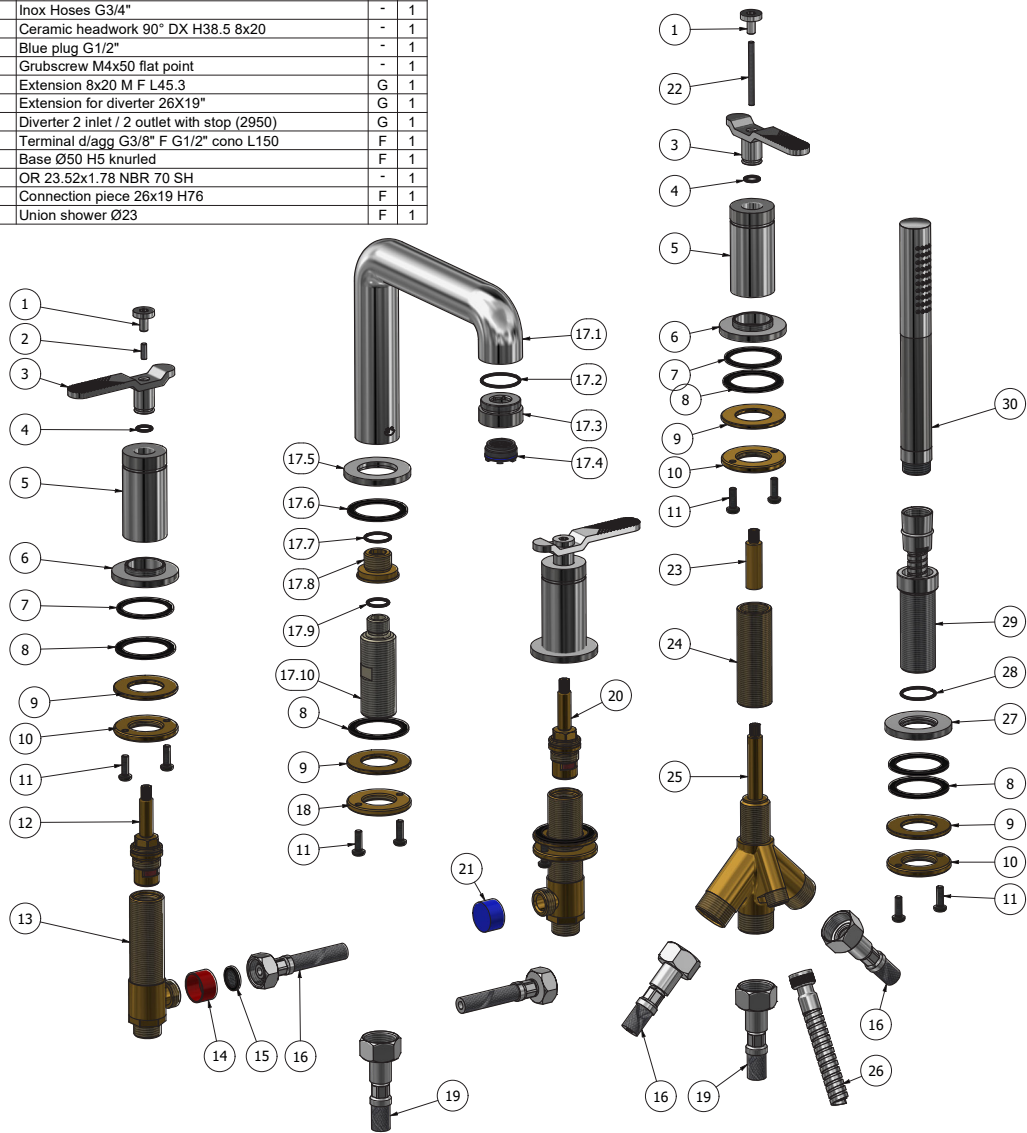
Material

BRASS
According to CuZn35Pb2Al-B (CB752S)
Max Lead content: 1.36%



WE ARE IB

Parts list				
ITEMS	CODE	DESCRIPTION	FIN	QTA
1	AC0015171	Screw Ø16 M4 H16	F	3
2	AQ0014996	Grubscrew M4x12 flat point	-	2
3	CC0002284	Handle 18 L94 H30.5 8x20	F	3
4	AQ0004180	OR 9.25x1.78 NBR 70 SH	-	3
5	AC0016763	Bell Ø33 M301 26x19 H67 knurled	F	3
6	AC0015167	Base Ø50 M30x1 H10 knurled	F	3
7	AQ0008012	Plane seal Ø42.5x35.5x2	-	3
8	AQ0008013	Rubber packing 45x35x2	-	6
9	AS0010697	Washer Ø48 x Ø26.5 x3	G	5
10	AS0010698	Ring nut W26x19	G	4
11	AQ0010358	Inox screw M5x16 ISO 7045	-	10
12	AQ0010529	Ceramic headwork 90° SX H38.5 8x20	-	1
13	AS0002250	Washbasin upright W26x19	G	2
14	AQ0015328	Red plug G1/2"	-	1
15	AQ0010360	Rubber packing 1/2" H2 with filter	-	2
16	AQ0009553	Inox Hose G1/2" 370mms	G	2
17	CPBD396CC-1	Preassembled spout	F	1
17.1	CC0002325-TI	Spout Ø33 H162 L193 timbro	F	1
17.2	AQ0010564	OR 26.7x1.78 NBR 70 SH	-	1
17.3	AC0017717	Support for aerator Ø33 M30x1.5 H17 knurled	F	1
17.4	AQ0010587	Perlator cahce M24x1 antispash (40.9300.010)	-	1
17.5	AC0015168	Base Ø50 H5 knurled	F	1
17.6	AQ0008013	Rubber packing 45x35x2	-	1
17.7	AQ0004630	OR 17.16x1.78 NBR 70 SH	-	1
17.8	AS0015169	Reduction G1/2" G3/8" H19	G	1
17.9	AQ0009818	OR 14x1.78 NBR 70 SH	-	1
17.10	AN0010971	Threaded fixing stem G3/4" G3/8" H76 with seat valve	N	1
18	AS0012647	Ring nut G3/4"	G	1
19	AQ0012033	Inox Hoses G3/4"	-	1
20	AQ0010528	Ceramic headwork 90° DX H38.5 8x20	-	1
21	AQ0015329	Blue plug G1/2"	-	1
22	AQ0015330	Grubscrew M4x50 flat point	-	1
23	AS0009906	Extension 8x20 M F L45.3	G	1
24	AQ0012031	Extension for diverter 26X19"	G	1
25	AQ0012030	Diverter 2 inlet / 2 outlet with stop (2950)	G	1
26	AQ0009555	Terminal d'agg G3/8" F G1/2" cono L150	F	1
27	AC0012729	Base Ø50 H5 knurled	F	1
28	AQ0009815	OR 23.52x1.78 NBR 70 SH	-	1
29	AC0009447	Connection piece 26x19 H76	F	1
30	AQ0015375	Union shower Ø23	F	1





WE ARE **IB**

WARRANTY

All IB Rubinetterie SpA products are warranted for 10 years from the date of purchase, for the following cases:

- Defects of casting, porosity and chrome plating.
- Operating defects caused by incorrect fabrication.

The warranty provides for repair or replacement of products with fabrication defects recognized by our technical office. There is no other type of compensation anche the merchandise must be returned FOB our warehouse. The warranty only cover surface defects (scartches, dings, etc.) on fitting that have not been installed and used, returned in its original packaging with all components. O-ring, gasket seals and components subject to wear proportional to use are warranted for 2 years.

The warranty is void in the following cases:

Error installing and putting the product into service.

Deterioration of finished surfaces due to use of cleaning products containing acids or abrasive substances.

Deterioration of surface with finishes other than chrome plating. Their durability is, in fact, dependent on the user's care and gentleness of use.

Deterioration of the fitting due incorrect installation.

Improper repairs and maintenance performed without the company's prior authorization.

The warranty from IB Rubinetterie SpA is not renewable.

Cleaning

We recommended cleaning the finish surfaces with water and soap, using a soft cloth.

Do not use detergents that cointain hydrochloric acid or abrasive substances.