

Collection

## BATLO'

Article

### BI207

Description

**Wall mounted washbasin mixer with long spout complete with drain. Built-in body to be purchased separately INC206**

Box Dimensions

265x260x70 mm

Weight

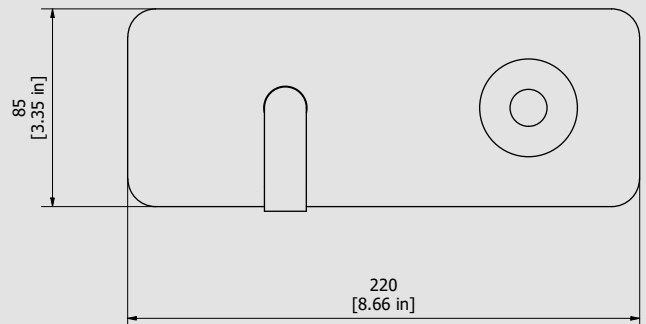
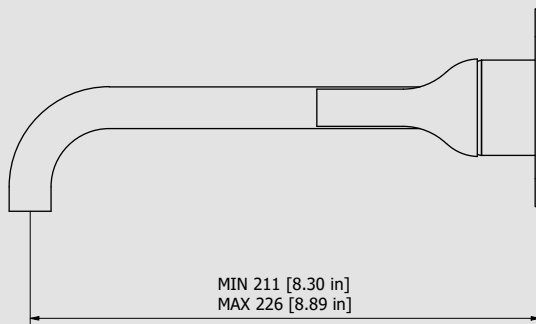
1.2 kg

Finishes

- CC**  
CHROME
- PL**  
PLATINUM
- SS**  
BRUSHED  
NICKEL
- ON**  
NATURAL  
BRASS
- BO**  
MATT  
WHITE
- NP**  
MATT  
BLACK
- CF**  
BLACK  
CHROME
- CS**  
BRUSHED  
BLACK  
CHROME
- II**  
PALE  
GOLD
- IS**  
BRUSHED  
PALE GOLD
- RS**  
ROSE  
GOLD
- SR**  
BRUSHED  
ROSE GOLD
- OO**  
GOLD
- OS**  
BRUSHED  
GOLD
- RR**  
ANTIQUÉ  
COPPER
- BB**  
ANTIQUÉ  
BRONZE
- MB**  
MODERN  
BRONZE



Dimensions



Cartridge

**Ceramic cartridge joystick Ø35**

Threaded fitting

**G1/2"**

Aerator

**M16.5x1**

Flow Rate (+/-10%)

**1 BAR  
3 l/m**

**2 BAR  
3.8 l/m**

**3 BAR  
3.8 l/m**

Production

**Main body is a single casted pieces**

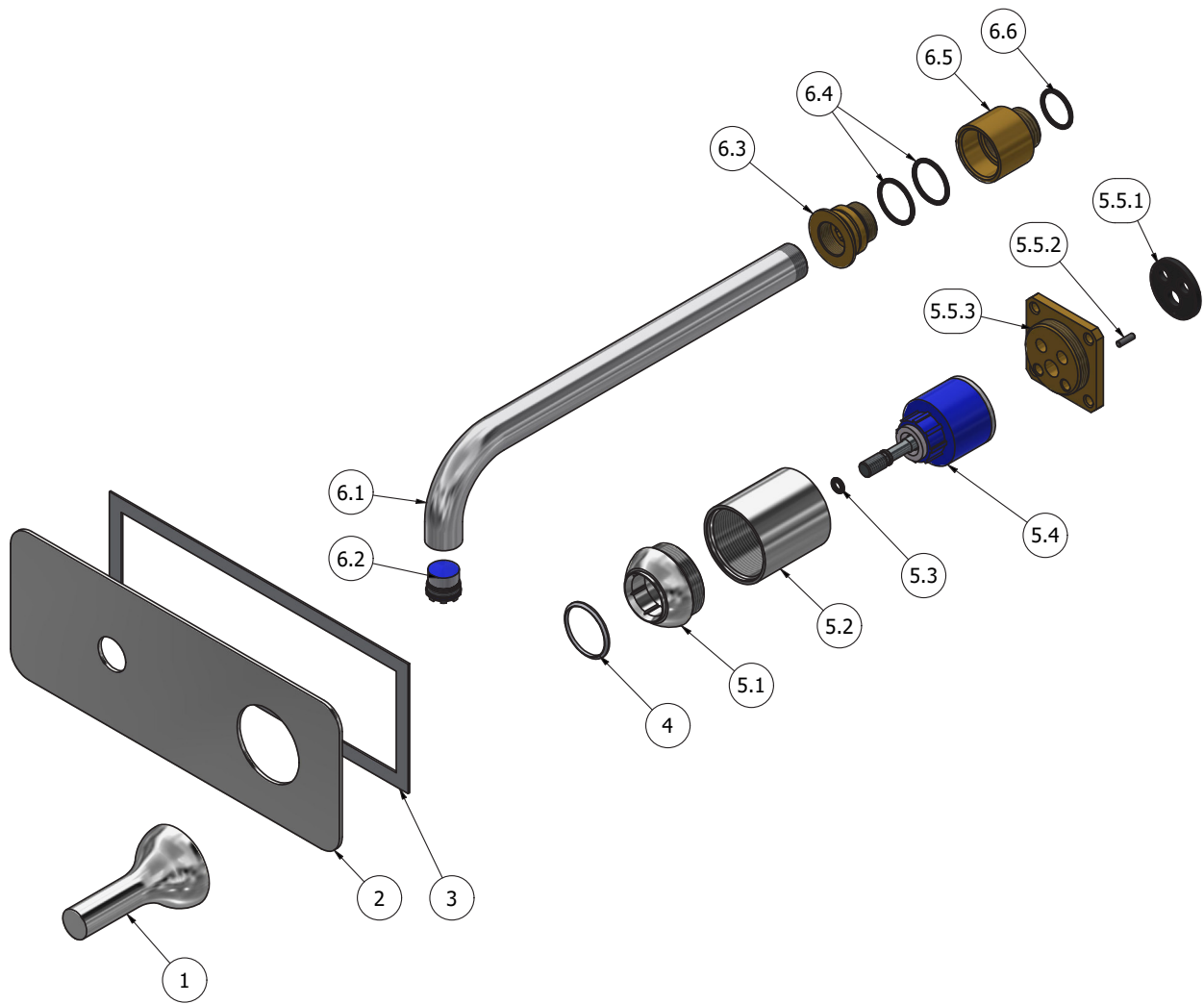
Material

**BRASS**  
According to CuZn42 (CW510L)  
Max Lead content: 0.2%



WE ARE IB

Parts list				
ITEMS	CODE	DESCRIPTION	FIN	QTÀ
1	AQ0010957	Lever Ø42 Ø16 H70 M8	F	1
2	AC0013162	Plate 220x85x2 Ø18.5 Ø41.5	F	1
3	AQ0014142	Rubber packing double-sided tape 200x75x8x1	-	1
4	AQ0010962	Antifriction ring Ø29.5 Ø26.2 H1.9	-	1
5	CPIN206CC-49	Mixer 47x47	-	1
5.1	AC0011487	Cartridge fixing nut M37x1.5 H22.5 Ø41.2	F	1
5.2	AC0011486	Cartridge holder Ø41 H43.6 M37x1.5	F	1
5.3	AQ0001410	OR 4.2x1.9 NBR 70 SH	-	1
5.4	AQ0010964	Ceramic cartridge joystick Ø35 with rod M8	-	1
5.5	CP13040XXN_1	Inserto 47x47	-	1
5.5.1	AQ0015684	Gasket Ø31 H3.5 Ø7 Ø7.5	-	1
5.5.2	AQ0015357	Grubscrew M3x10 flat point	-	1
5.5.3	AS0013040	Insert 47x47 H11 M37x1.5	G	1
6	CPX207CC-21	Preassembled spout Ø18	-	1
6.1	AC0011996	Spout-out M18x1 M16.5x1 Ø18 L244	F	1
6.2	AQ0014147	Perlator PCA cachè laminar 1 GPM (44.3358.010)	-	1
6.3	AS0016996	Spout insert Ø30 M20x1M M18x1 F H21	G	1
6.4	AQ0001400	OR 20.35x1.78 NBR 70 SH	-	2
6.5	AS0016995	Insert Ø30 G1/2" M H32	G	1
6.6	AQ0004630	OR 17.16x1.78 NBR 70 SH	-	1





WE ARE IB

### **WARRANTY**

All IB Rubinetterie SpA products are warranted for 10 years from the date of purchase, for the following cases:

- Defects of casting, porosity and chrome plating.
- Operating defects caused by incorrect fabrication.

The warranty provides for repair or replacement of products with fabrication defects recognized by our technical office. There is no other type of compensation anche the merchandise must be returned FOB our warehouse. The warranty only cover surface defects (scartches, dings, etc.) on fitting that have not been installed and used, returned in its original packaging with all components. O-ring, gasket seals and components subject to wear proportional to use are warranted for 2 years.

#### **The warranty is void in the following cases:**

Error installing and putting the product into service.

Deterioration of finisched surfaces due to use of cleaning products containing acids or abrasive substances.

Deterioration of surface with finishes other than chrome plating. Their durability is, in fact, dependent on the user's care and gentleness of use.

Deterioration of the fitting due incorrect installation.

Improper repairs and maintenance performed without the company's prior authorization.

The warranty from IB Rubinetterie SpA is not renewable.

#### **Cleaning**

We recommended cleaning the finish surfaces with water and soap, using a soft cloth.

Do not use detergents that cointain hydrochloric acid or abrasive substances.