



WE ARE IB

Collection

BATLO'

Article

BI305

Description

Exposed parts for manual wall mixer.

Built-in body to be purchased separately INC300

Box Dimensions

150x190x98 mm

Weight

1.2 kg

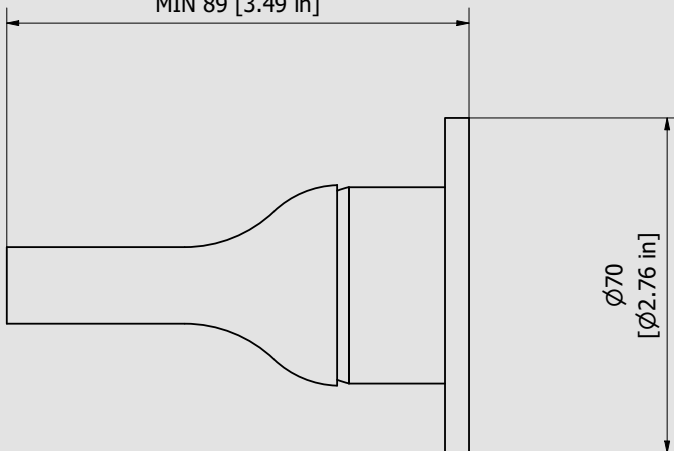
Finishes

- **CC**
CHROME
- **PL**
PLATINUM
- **SS**
BRUSHED
NICKEL
- **ON**
NATURAL
BRASS
- **BO**
MATT
WHITE
- **NP**
MATT
BLACK
- **CF**
BLACK
CHROME
- **CS**
BRUSHED
BLACK
CHROME
- **II**
PALE
GOLD
- **IS**
BRUSHED
PALE GOLD
- **RS**
ROSE
GOLD
- **SR**
BRUSHED
ROSE GOLD
- **OO**
GOLD
- **OS**
BRUSHED
GOLD
- **RR**
ANTIQUÉ
COPPER
- **BB**
ANTIQUÉ
BRONZE
- **MB**
MODERN
BRONZE



Dimensions

MAX 104 [4.08 in]
MIN 89 [3.49 in]



Cartridge

Ceramic cartridge joystick Ø35

Threaded fitting

-

Aerator

-

Flow Rate (+/-10%)

1 BAR
13.5 l/m

2 BAR
19 l/m

3 BAR
23.3 l/m

Production

Main body is a single casted pieces

Material

BRASS
According to CuZn42 (CW510L)
Max Lead content: 0.2%

IB RUBINETTERIE s.p.a
via dei Pianotti 3/5
25068 Sarezzo (BS) - Italy -

T. +39 030 802101
F. +39 030 803097
info@weareib.it

P.IVA 01785230986
capitale sociale
€420.000,00 i.v.

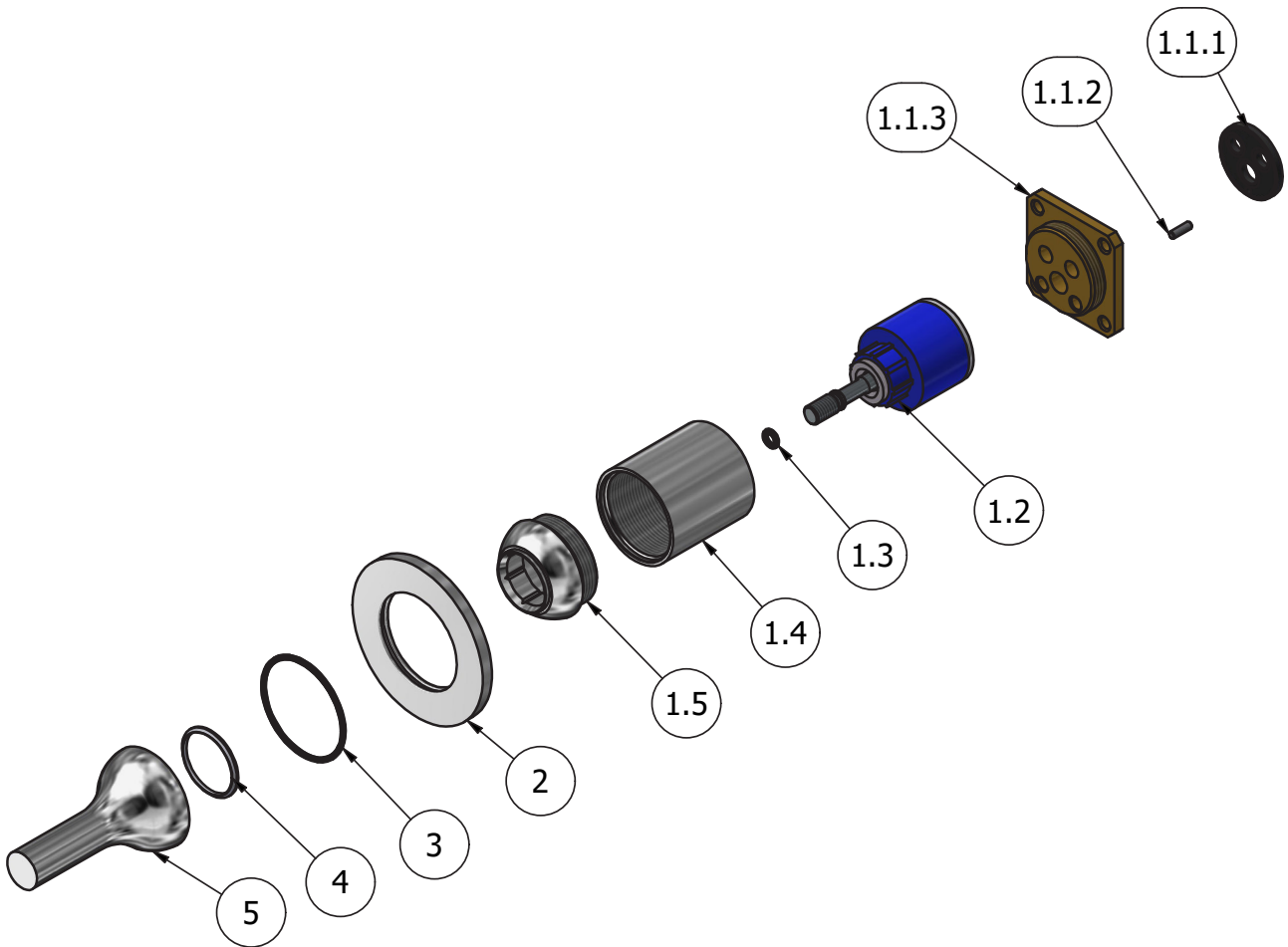
www.weareib.it





WE ARE IB

Parts list				
ITEMS	CODE	DESCRIPTION	FIN	QTÀ
1	CPIN206CC-49	Mixer 47x47	-	1
1.1	CP13040XXN_1	Inserto 47x47	-	1
1.1.1	AQ0015684	Gasket Ø31 H3.5 Ø7 Ø7.5	-	1
1.1.2	AQ0015357	Grubscrew M3x10 flat point	-	1
1.1.3	AS0013040	Insert 47x47 H11 M37x1.5	G	1
1.2	AQ0010964	Ceramic cartridge joystick Ø35 with rod M8	-	1
1.3	AQ0001410	OR 4.2x1.9 NBR 70 SH	-	1
1.4	AC0011486	Cartridge holder Ø41 H43.6 M37x1.5	F	1
1.5	AC0011487	Cartridge fixing nut M37x1.5 H22.5 Ø41.2	F	1
2	AC0018063	Rosette Ø70 Ø41.5 H5	F	1
3	AQ0001440	OR 41x1.78 NBR 70 SH	-	1
4	AQ0010962	Antifriction ring Ø29.5 Ø26.2 H1.9	-	1
5	AQ0010957	Lever Ø42 Ø16 H70 M8	F	1





WE ARE IB

WARRANTY

All IB Rubinetterie SpA products are warranted for 10 years from the date of purchase, for the following cases:

- Defects of casting, porosity and chrome plating.
- Operating defects caused by incorrect fabrication.

The warranty provides for repair or replacement of products with fabrication defects recognized by our technical office. There is no other type of compensation anche the merchandise must be returned FOB our warehouse. The warranty only cover surface defects (scartches, dings, etc.) on fitting that have not been installed and used, returned in its original packaging with all components. O-ring, gasket seals and components subject to wear proportional to use are warranted for 2 years.

The warranty is void in the following cases:

Error installing and putting the product into service.

Deterioration of finished surfaces due to use of cleaning products containing acids or abrasive substances.

Deterioration of surface with finishes other than chrome plating. Their durability is, in fact, dependent on the user's care and gentleness of use.

Deterioration of the fitting due incorrect installation.

Improper repairs and maintenance performed without the company's prior authorization.

The warranty from IB Rubinetterie SpA is not renewable.

Cleaning

We recommended cleaning the finish surfaces with water and soap, using a soft cloth.

Do not use detergents that cointain hydrochloric acid or abrasive substances.